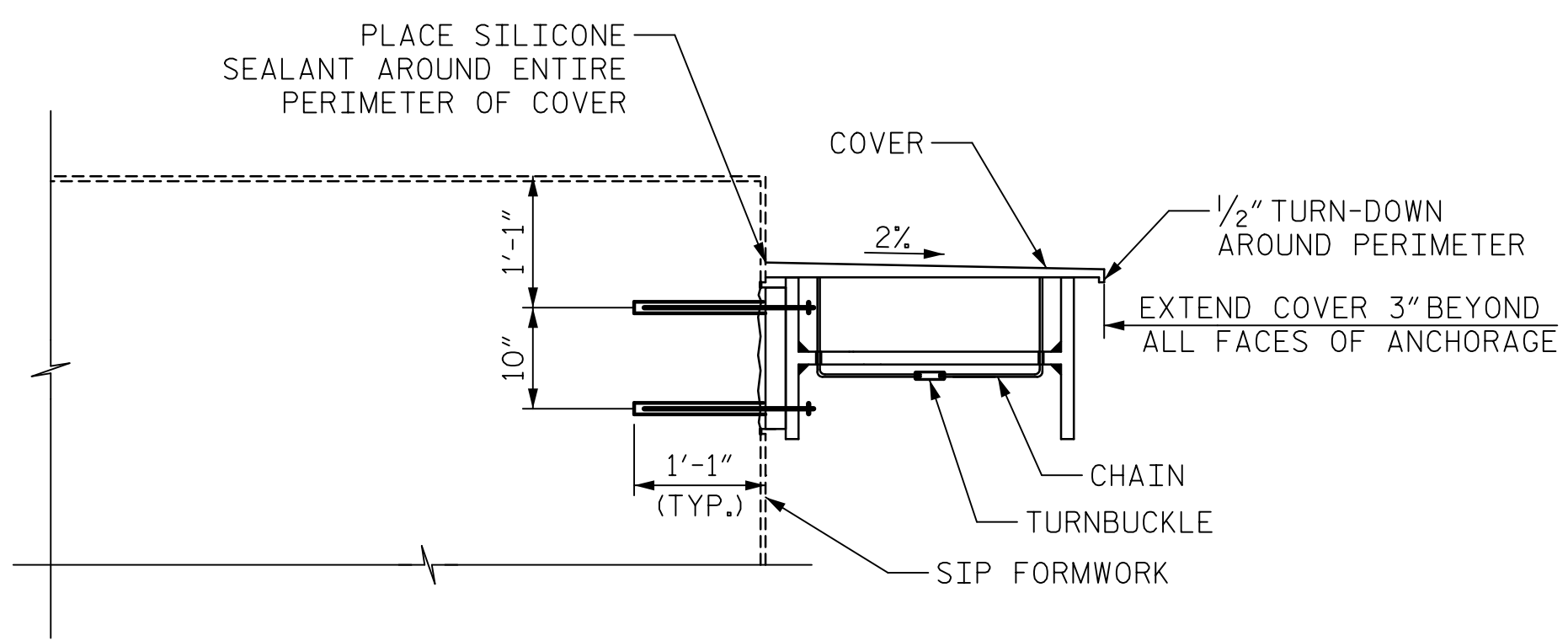
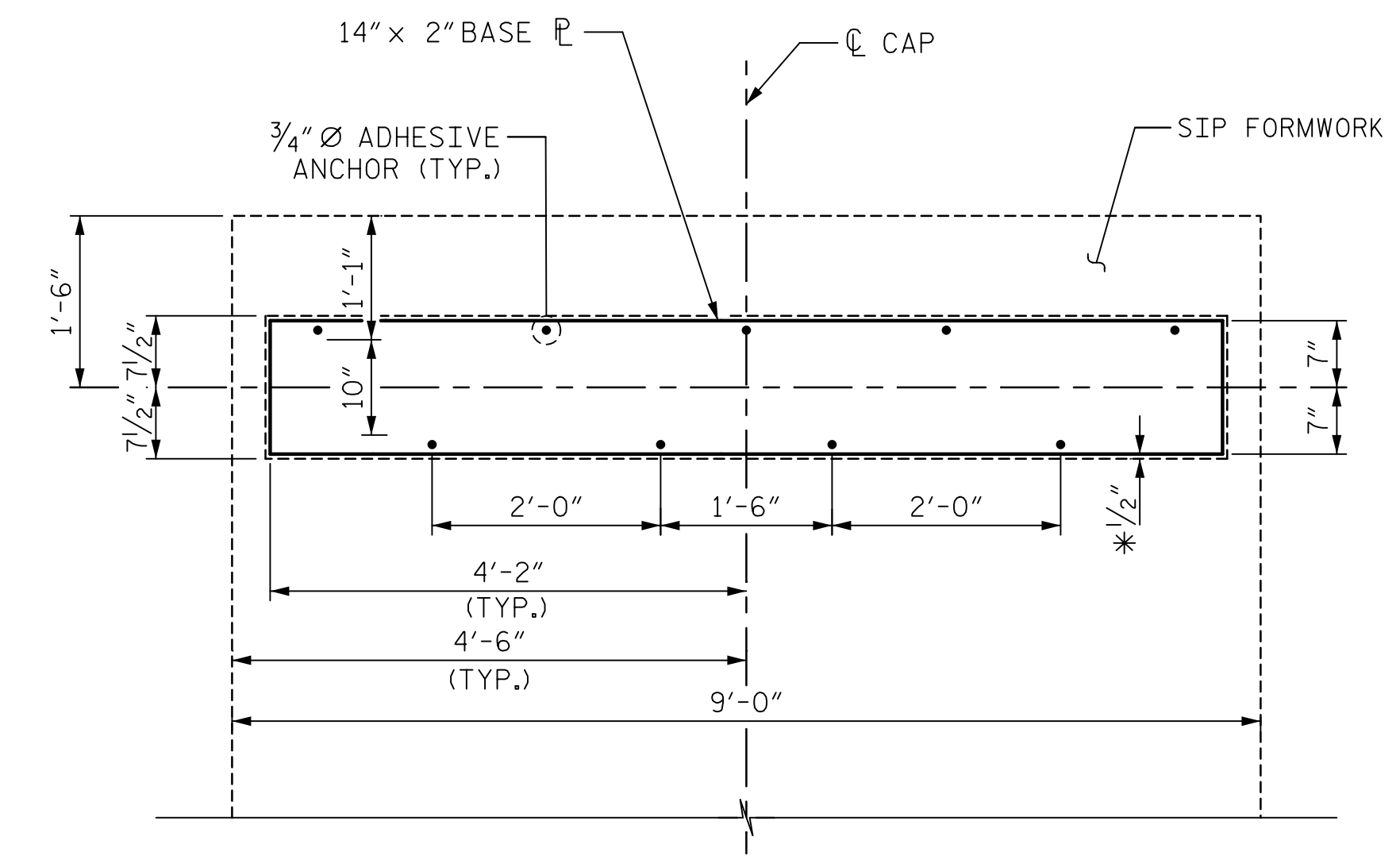


DATE: 2/27/2020
TIME: 4:56:27 PM



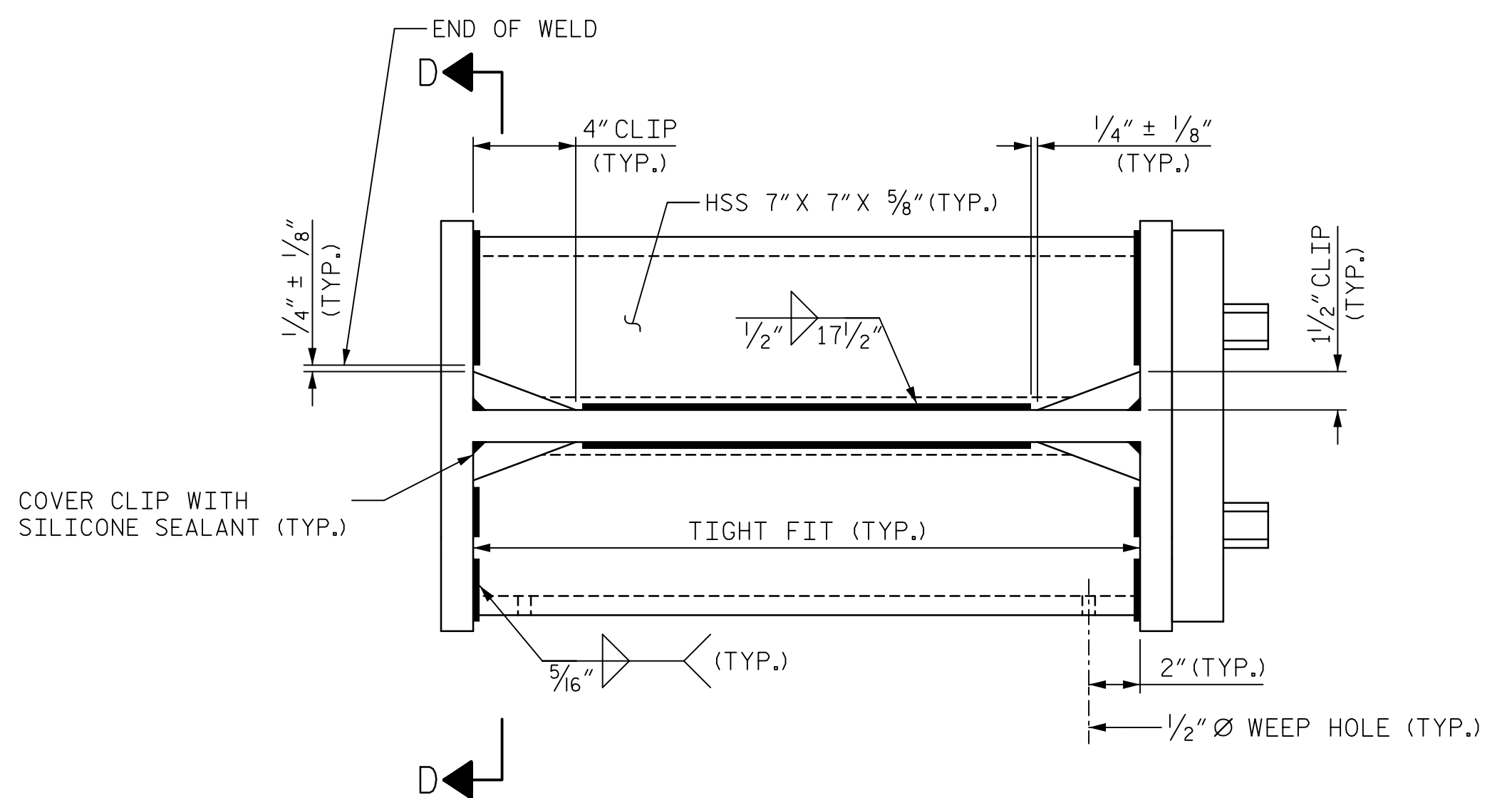
VIEW A-A

NOTE: TIE DOWN COVER WITH CHAINS AND TURNBUCKLE AT EACH SET OF WEEP HOLES



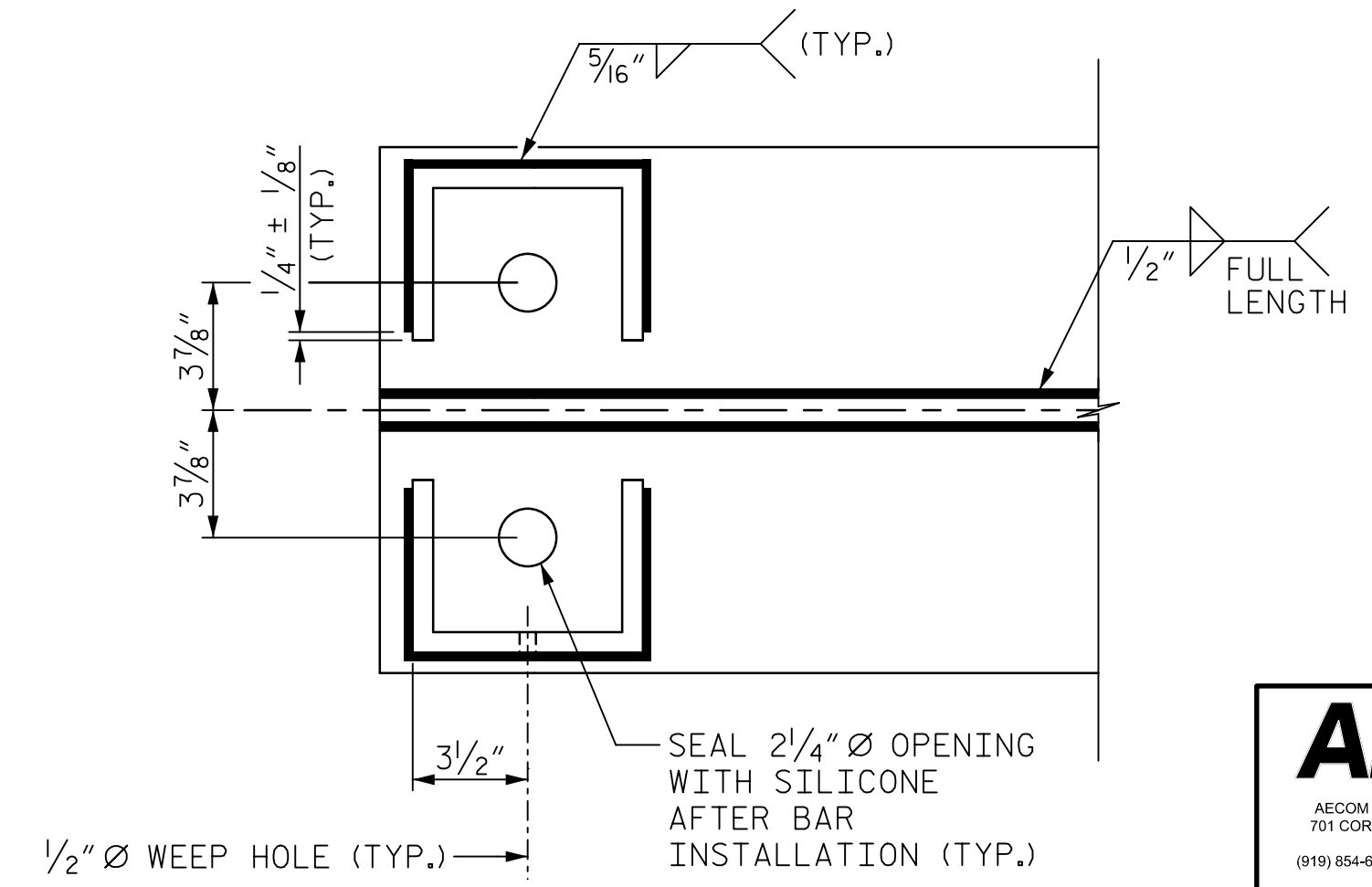
VIEW C-C

* CLEAR FROM BASE ℓ TO FORMWORK OPENING



VIEW B-B

(POST-TENSIONED BAR NOT SHOWN FOR CLARITY)



VIEW D-D

PROJECT NO. 15BPR.20
HENDERSON COUNTY
 STATION: 35+30.22 -L-

SHEET 7 OF 7



STATE OF NORTH CAROLINA
 DEPARTMENT OF TRANSPORTATION
 RALEIGH
 SUBSTRUCTURE
 BENTS 2 & 3
 POST-TENSIONING
 ANCHORAGE DETAILS

REVISIONS						SHEET NO.
NO.	BY:	DATE:	NO.	BY:	DATE:	S-123
1			3			TOTAL SHEETS
2			4			129

DOCUMENT NOT CONSIDERED FINAL UNLESS ALL SIGNATURES COMPLETED

DRAWN BY : M. TOM	DATE : 1/2019
CHECKED BY : J. SLOAN	DATE : 2/2019
DESIGNED BY : J. SLOAN	DATE : 2/2019
DESIGN CHECKED BY : D. TUTTLE	DATE : 2/2019

USER: Arch/Resonant
DGN: R:\Structures\04 Drawings\01_231_15BPR20_SMU_B7.dgn