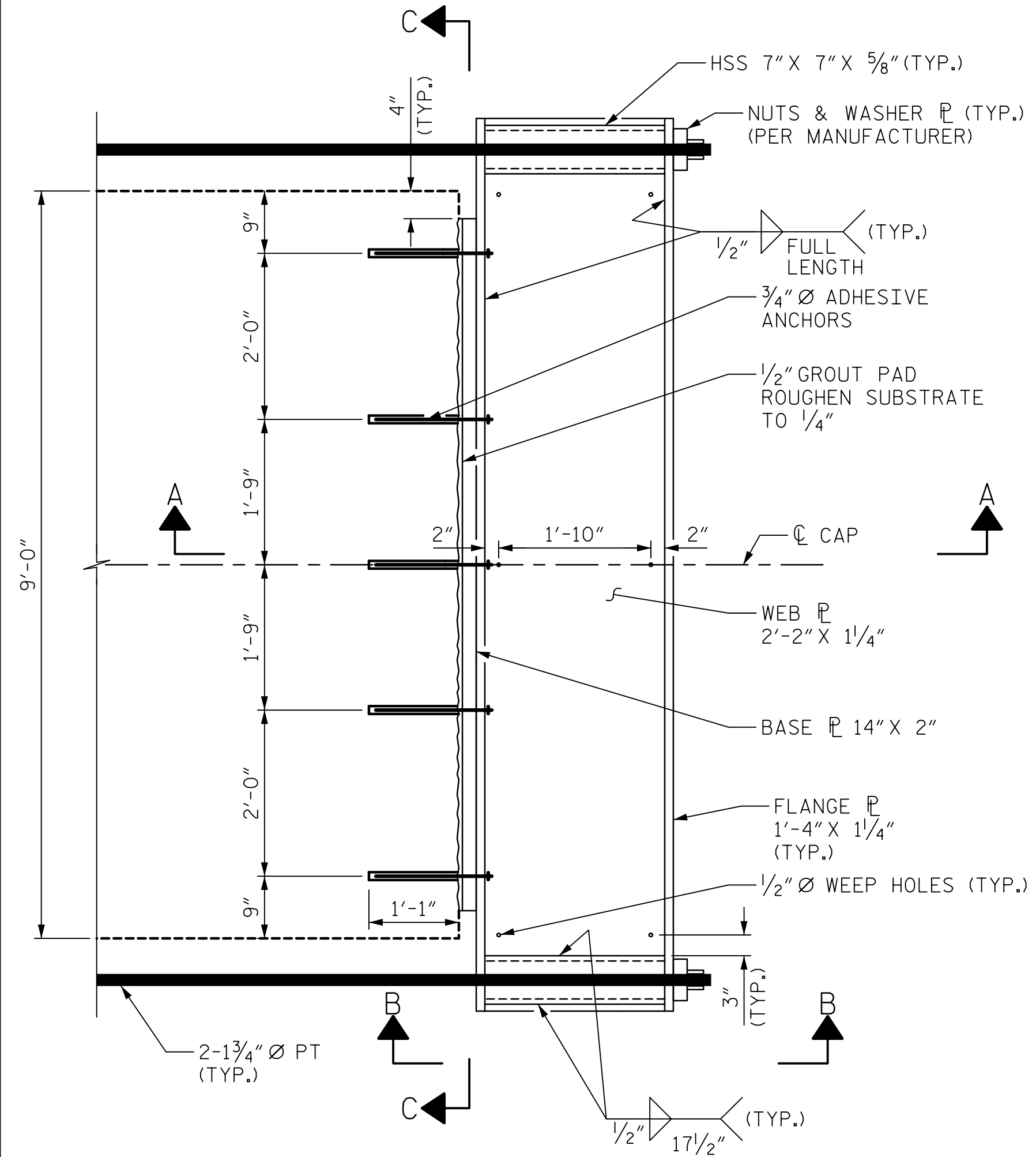


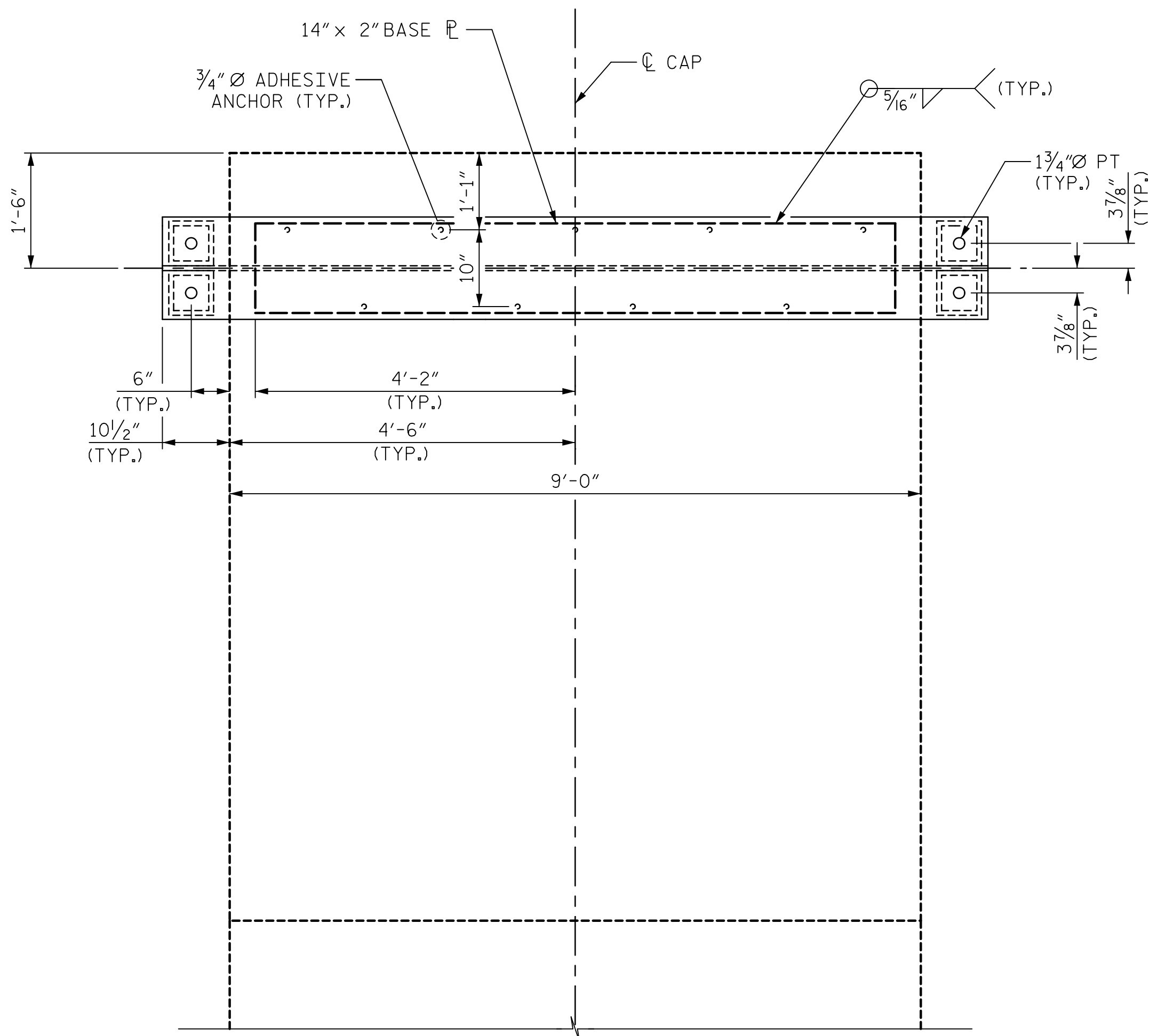
DATE: 2/27/2020
TIME: 4:26:51 PM

USER: MrcHResseard
DIR: R:\Structures\04 Drawings\01_229_15BPR20_SNU_LB.dgn



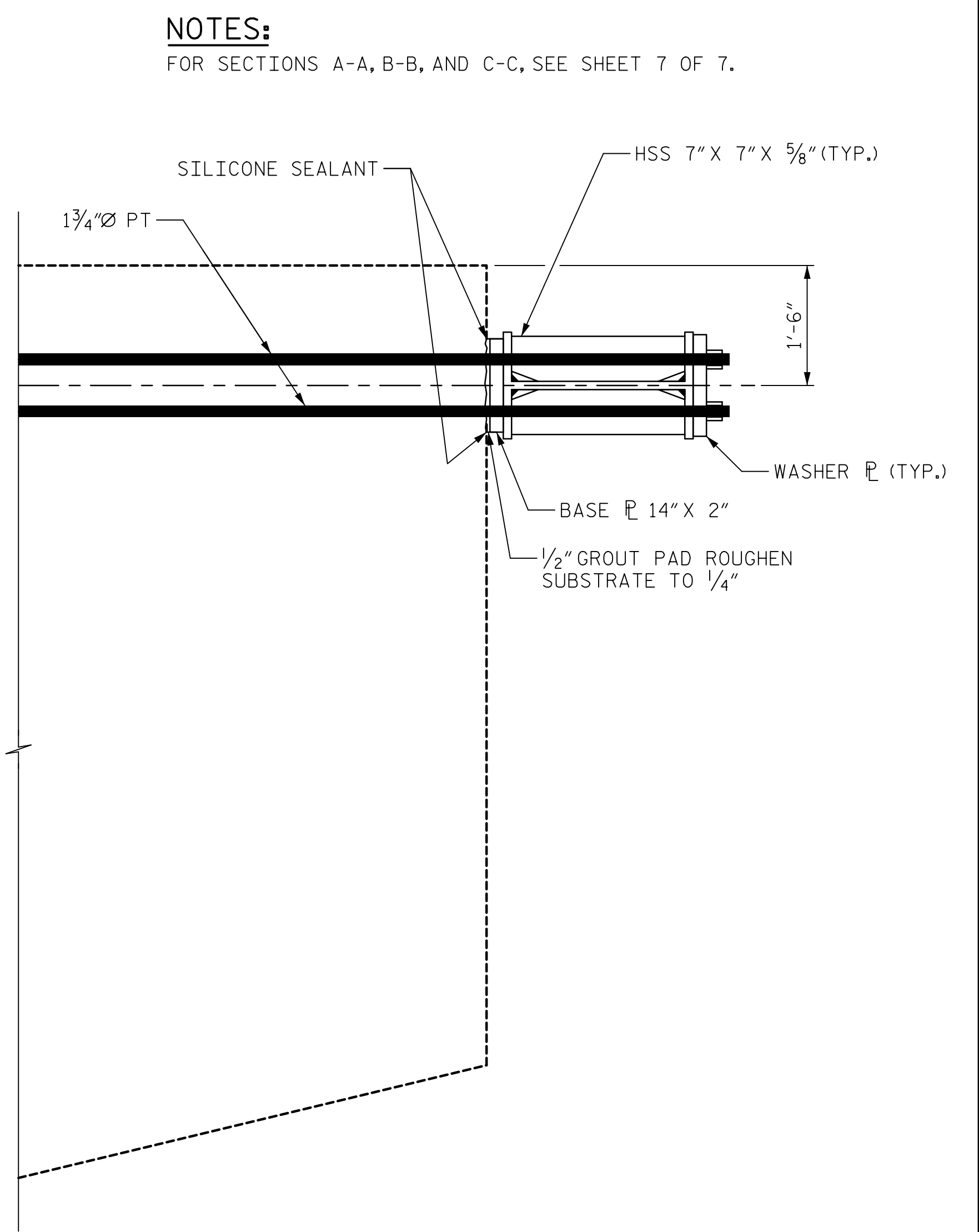
PLAN

(COVER NOT SHOWN FOR CLARITY)
(BOTTOM ROW OF ADHESIVE ANCHORS NOT SHOWN)



END ELEVATION

(COVER NOT SHOWN FOR CLARITY)



ELEVATION

NOTES:
FOR SECTIONS A-A, B-B, AND C-C, SEE SHEET 7 OF 7.

PROJECT NO. 15BPR.20
HENDERSON COUNTY
STATION: 35+30.22 -L-

SHEET 6 OF 7

DRAWN BY : M. TOM	DATE : 1/2019
CHECKED BY : J. SLOAN	DATE : 2/2019
DESIGNED BY : J. SLOAN	DATE : 2/2019
DESIGN CHECKED BY : D. TUTTLE	DATE : 2/2019

DOCUMENT NOT CONSIDERED
FINAL UNLESS ALL
SIGNATURES COMPLETED

AECOM
AECOM TECHNICAL SERVICES OF NC, INC.
701 CORPORATE CENTER DRIVE, SUITE 475
RALEIGH, NC 27607
(919) 854-6200 www.aecom.com
AECOM License No. F-0342

STATE OF NORTH CAROLINA
Professional Engineer
JOHN E. SLOAN
035062
2/28/2020

STATE OF NORTH CAROLINA DEPARTMENT OF TRANSPORTATION RALEIGH					
SUBSTRUCTURE					
BENTS 2 & 3 POST-TENSIONING ANCHORAGE					
REVISIONS					
NO.	BY:	DATE:	NO.	BY:	DATE:
1			3		
2			4		
SHEET NO. S-122					TOTAL SHEETS 129