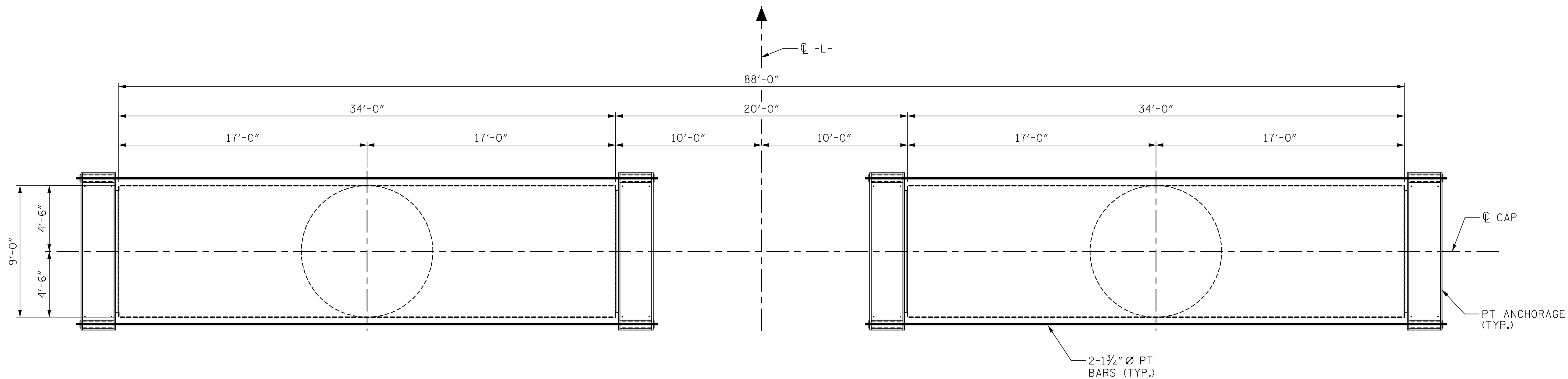
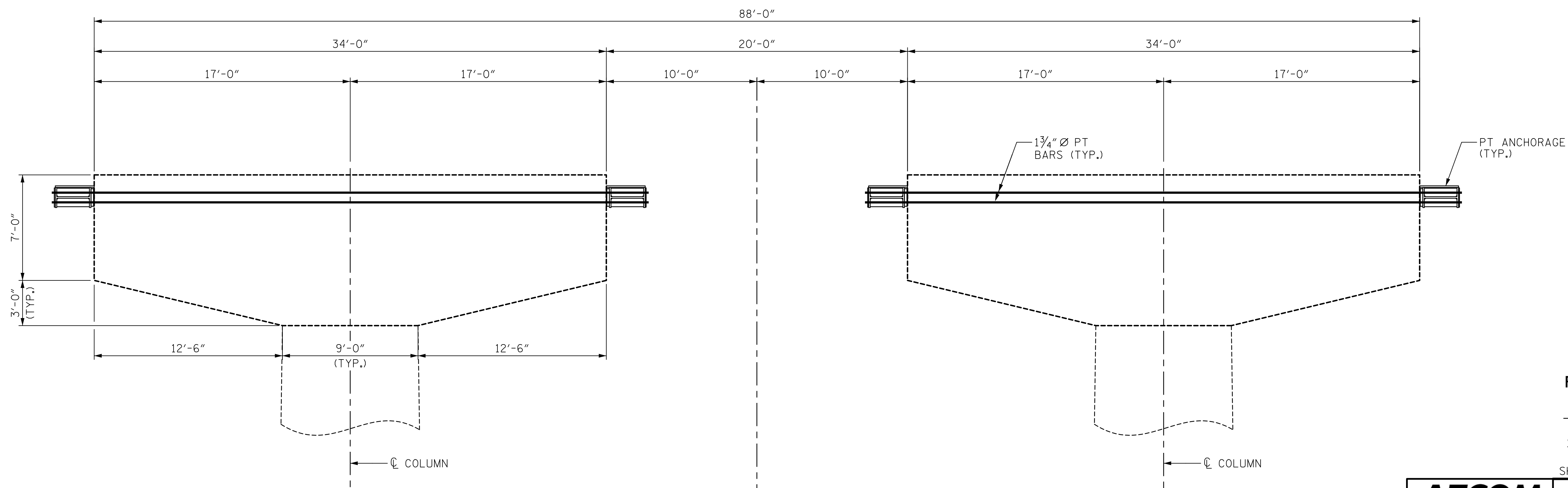


DATE: 2/27/2020
TIME: 4:56:02 PM



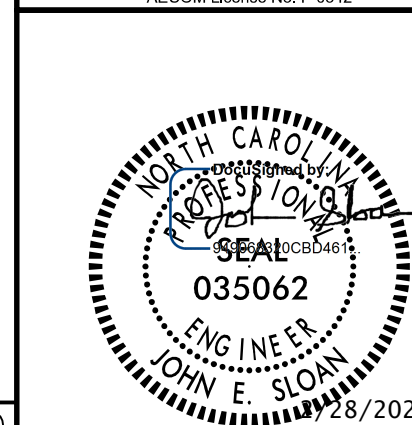
PLAN



ELEVATION

PROJECT NO. 15BPR.20
 HENDERSON COUNTY
 STATION: 35+30.22 -L-

SHEET 5 OF 7



STATE OF NORTH CAROLINA
 DEPARTMENT OF TRANSPORTATION
 RALEIGH

SUBSTRUCTURE
 BENTS 2 & 3
 POST-TENSIONING
 SYSTEM

REVISIONS

NO.	BY:	DATE:	NO.	BY:	DATE:
1			3		
2			4		

SHEET NO.

S-121
 TOTAL SHEETS
 129

DRAWN BY : M.K. TOM DATE : 2/2019
 CHECKED BY : J.E. SLOAN DATE : 2/2019
 DESIGNED BY : J.E. SLOAN DATE : 2/2019
 DESIGN CHECKED BY : D. TUTTLE DATE : 2/2019

DOCUMENT NOT CONSIDERED
 FINAL UNLESS ALL
 SIGNATURES COMPLETED

USER: Arch/Resourced
 DGN: R:\Structures\04 Drawings\01_227_15BPR\20_SMU_B5.dgn