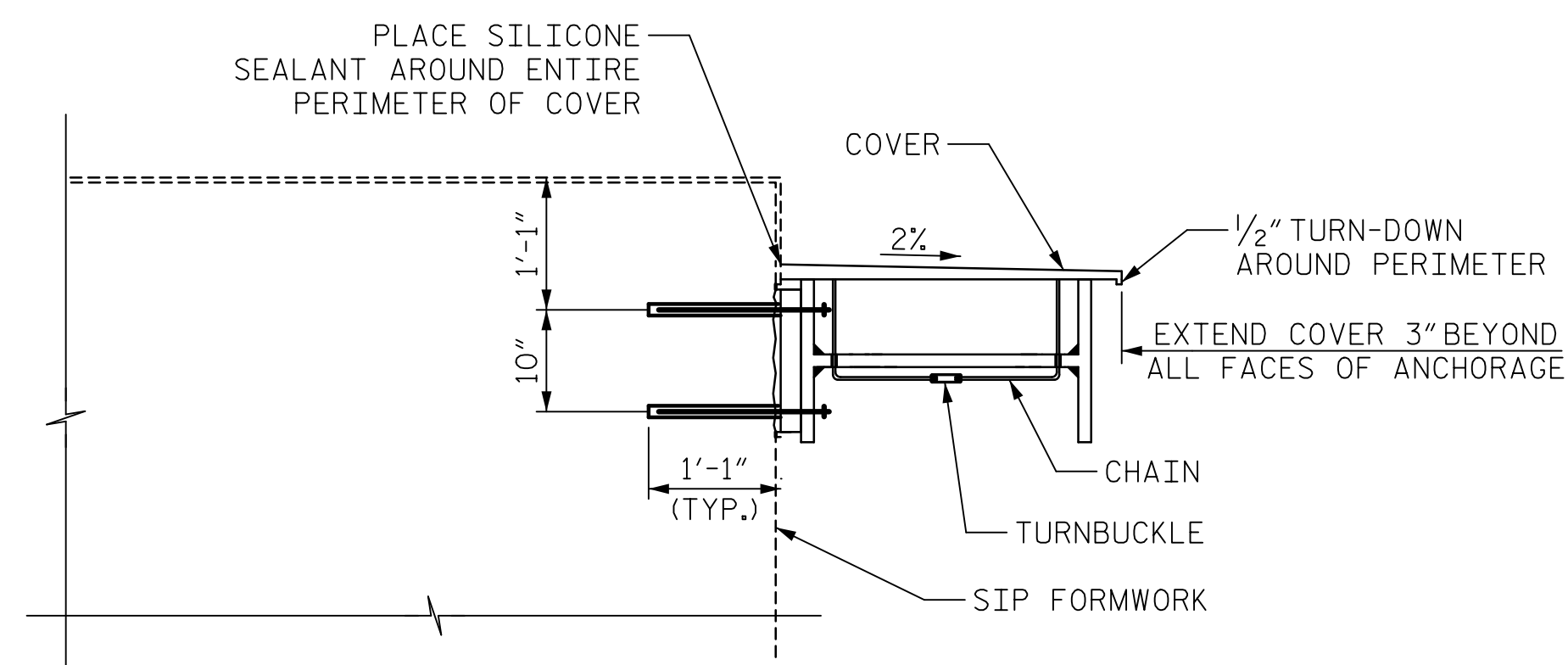
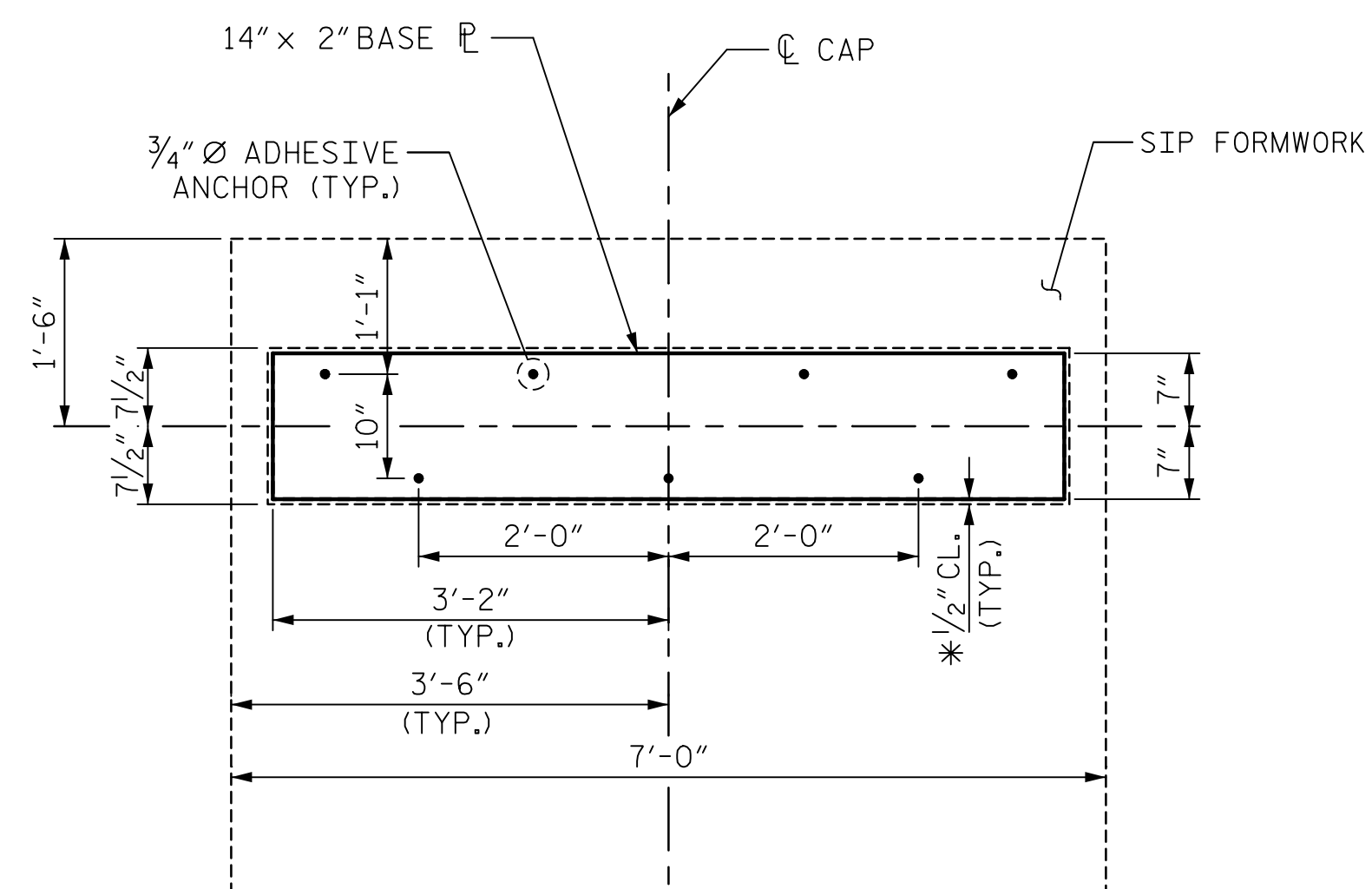


DATE: 2/27/2020
TIME: 4:05:52 PM



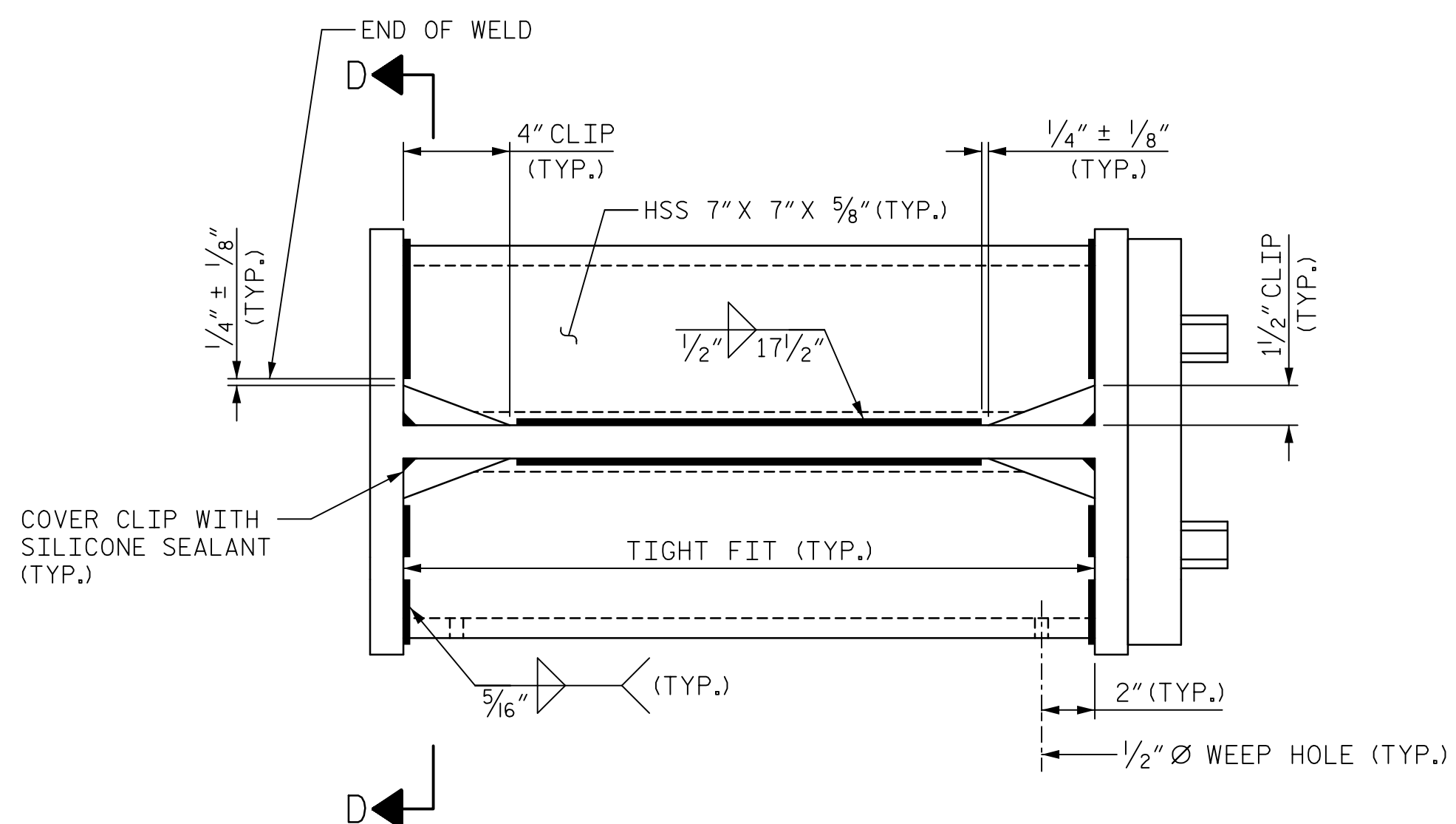
VIEW A-A

NOTE: TIE DOWN COVER WITH CHAINS AND TURNBUCKLE AT EACH SET OF WEEP HOLES



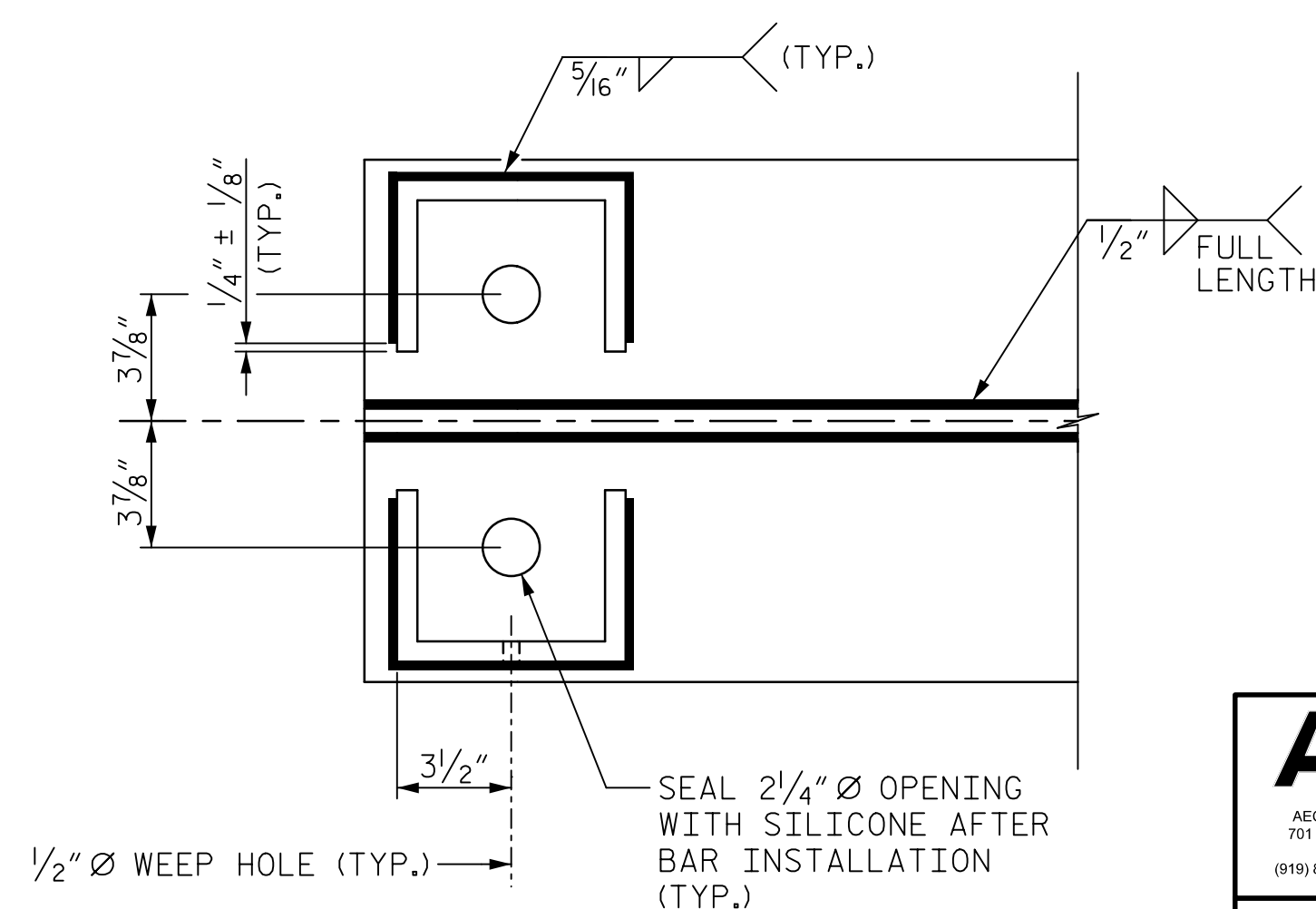
VIEW C-C

* FROM BASE \square TO FORMWORK OPENING



VIEW B-B

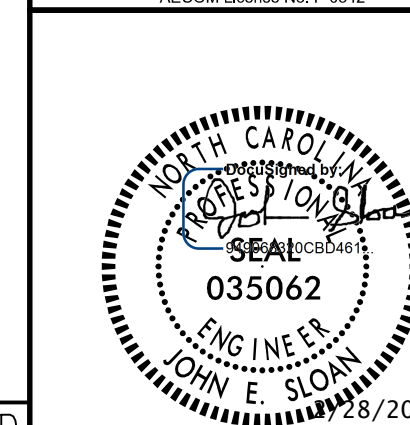
(POST-TENSIONED BAR NOT SHOWN FOR CLARITY)



VIEW D-D

PROJECT NO. 15BPR.20
HENDERSON COUNTY
 STATION: 35+30.22 -L-

SHEET 4 OF 7



STATE OF NORTH CAROLINA
 DEPARTMENT OF TRANSPORTATION
 RALEIGH

SUBSTRUCTURE
 BENTS 1 & 4
 POST-TENSIONING
 ANCHORAGE DETAILS

REVISIONS

NO.	BY:	DATE:	NO.	BY:	DATE:
1			3		
2			4		

SHEET NO.
 S-120
 TOTAL SHEETS
 129

DRAWN BY : M. TOM DATE : 1/2019
 CHECKED BY : J. SLOAN DATE : 2/2019
 DESIGNED BY : J. SLOAN DATE : 2/2019
 DESIGN CHECKED BY : D. TUTTLE DATE : 2/2019

DOCUMENT NOT CONSIDERED
 FINAL UNLESS ALL
 SIGNATURES COMPLETED

USER: Arch/Resonand
 DGN: R:\Structures\04 Drawings\01_225_15BPR20_SNU_B4.dgn