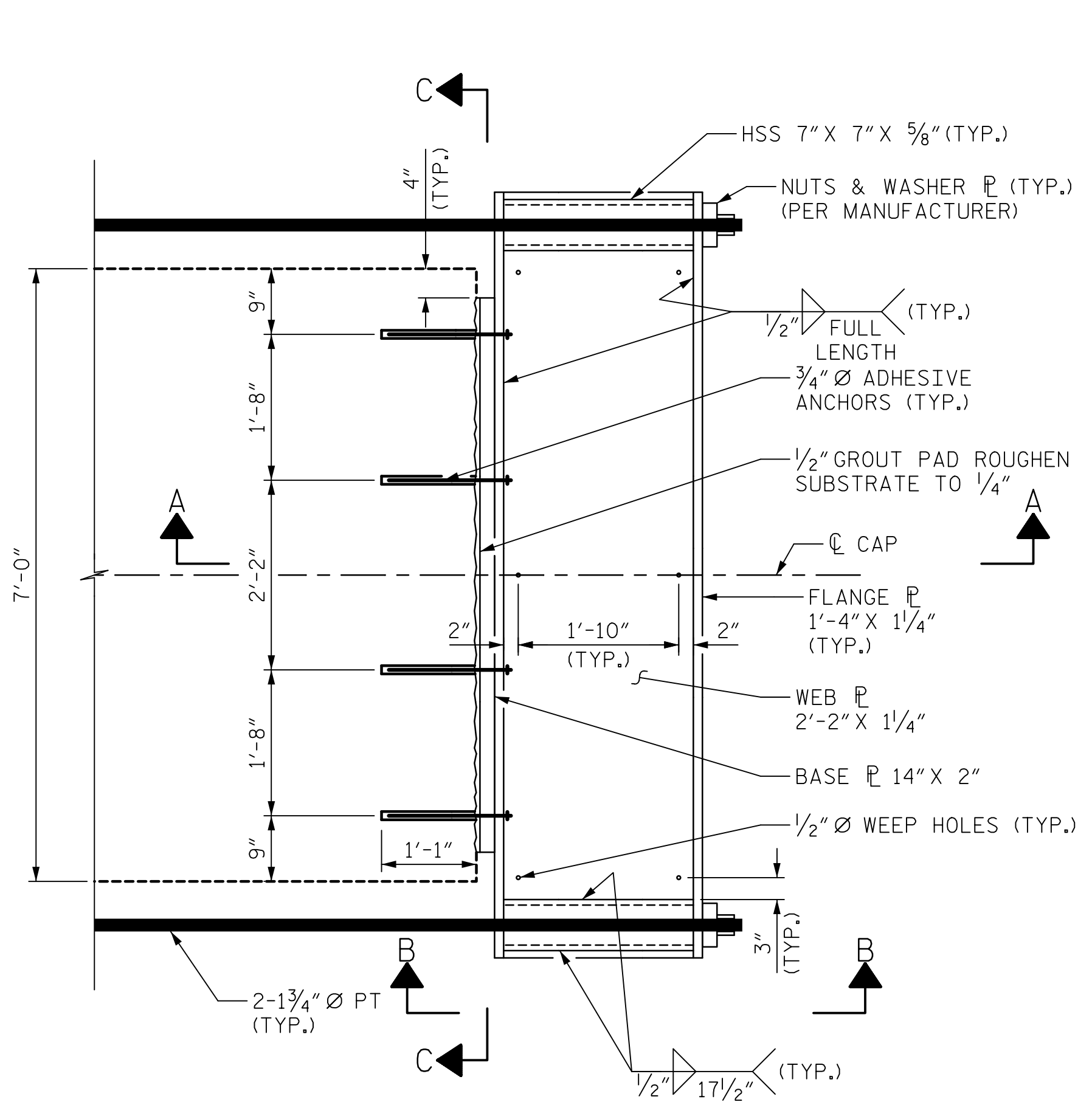
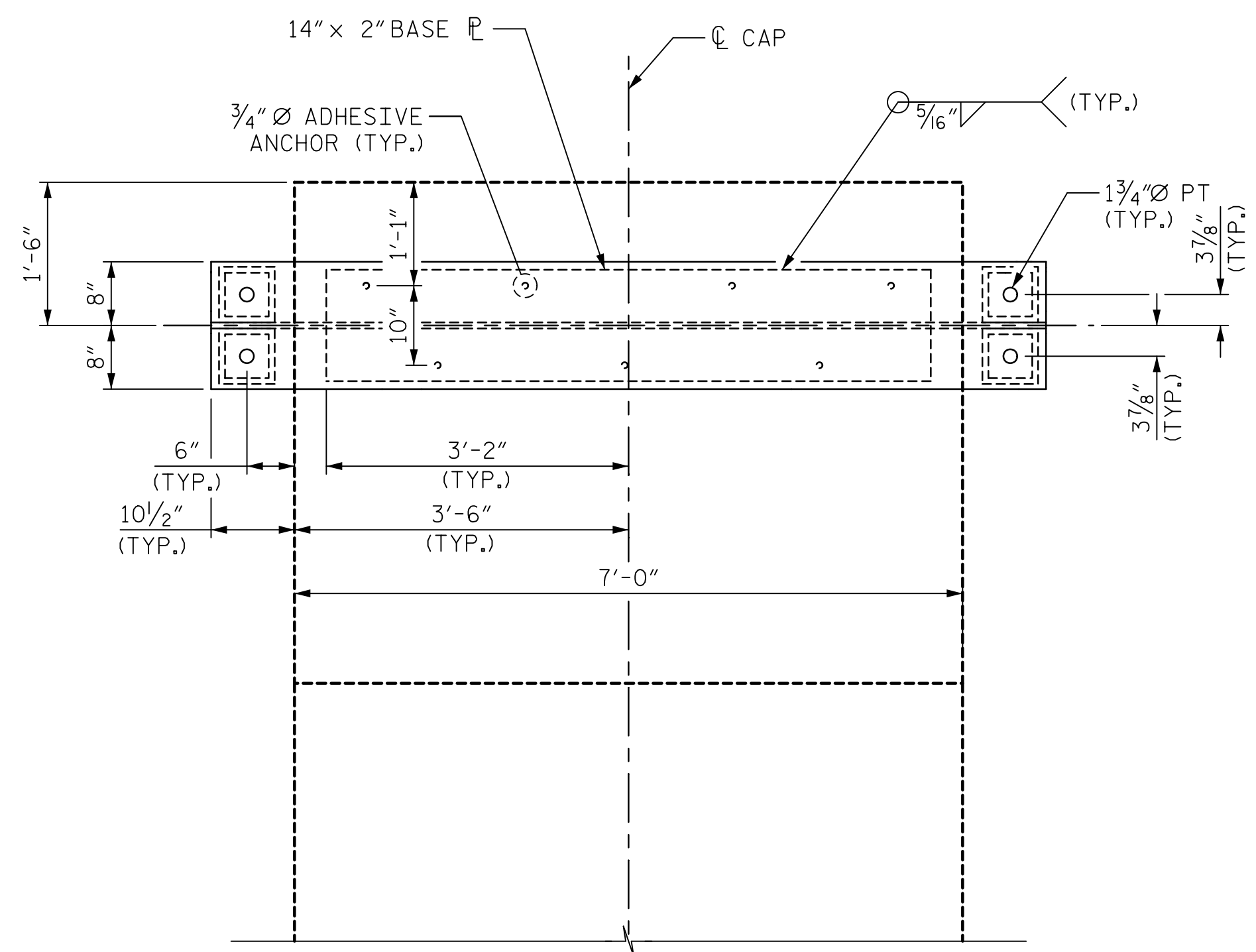


DATE: 2/27/2020
TIME: 4:05:42 PM



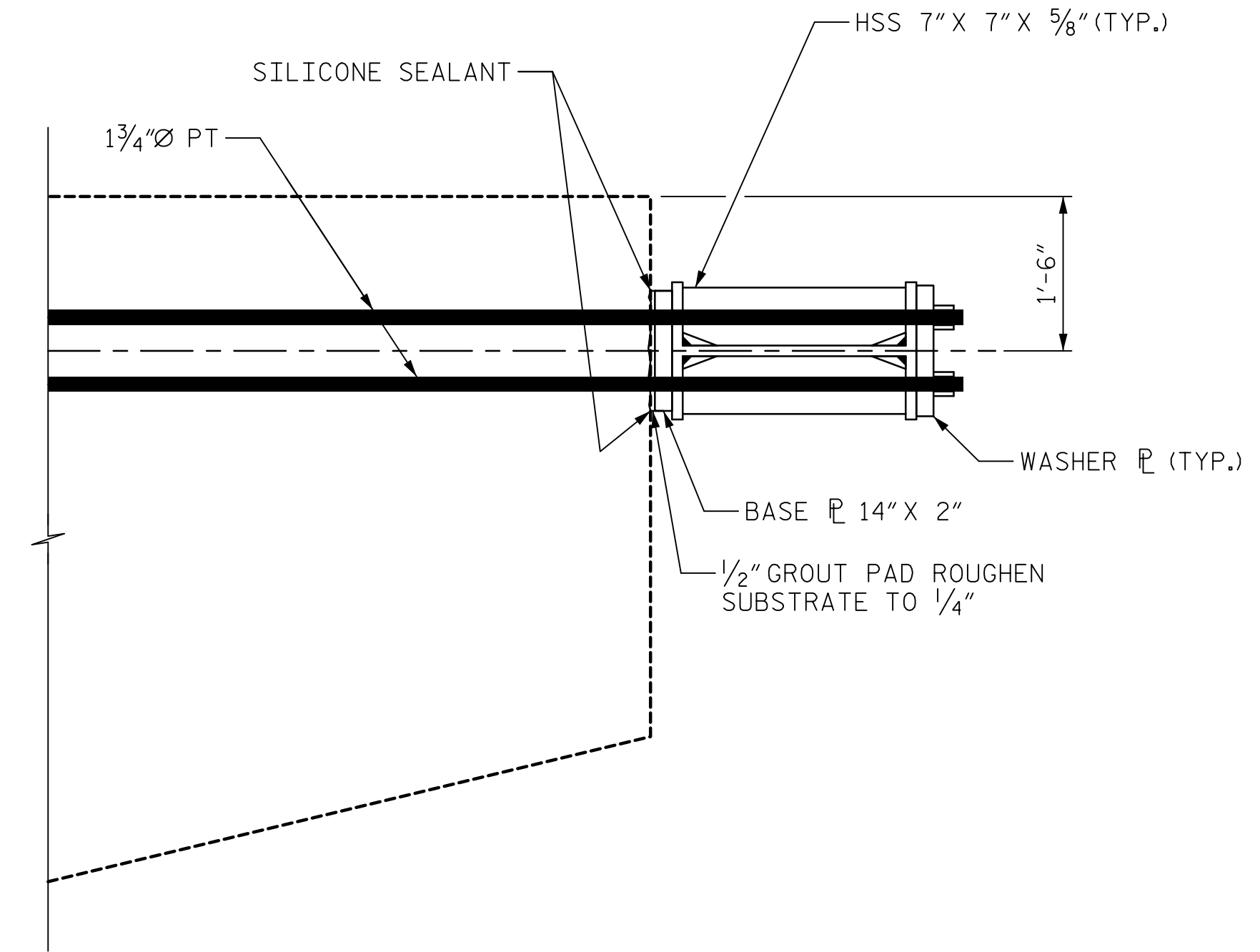
PLAN

(COVER NOT SHOWN FOR CLARITY)
(BOTTOM ROW OF ADHESIVE ANCHORS NOT SHOWN)



END ELEVATION

(COVER NOT SHOWN FOR CLARITY)

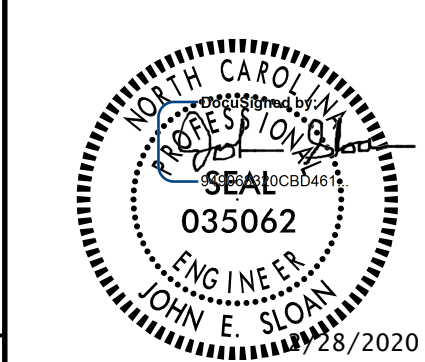


ELEVATION

NOTES:
FOR SECTIONS A-A, B-B, AND C-C, SEE SHEET 4 OF 7.

PROJECT NO. 15BPR.20
HENDERSON COUNTY
STATION: 35+30.22 -L-

SHEET 3 OF 7



STATE OF NORTH CAROLINA
DEPARTMENT OF TRANSPORTATION
RALEIGH
SUBSTRUCTURE
BENTS 1 & 4
POST-TENSIONING ANCHORAGE

| REVISIONS | | | | | | SHEET NO. |
|-----------|-----|-------|-----|-----|-------|--------------|
| NO. | BY: | DATE: | NO. | BY: | DATE: | S-119 |
| 1 | | | 3 | | | TOTAL SHEETS |
| 2 | | | 4 | | | 129 |

DOCUMENT NOT CONSIDERED
FINAL UNLESS ALL
SIGNATURES COMPLETED

| | |
|-------------------------------|---------------|
| DRAWN BY : M. TOM | DATE : 1/2019 |
| CHECKED BY : J. SLOAN | DATE : 2/2019 |
| DESIGNED BY : J. SLOAN | DATE : 2/2019 |
| DESIGN CHECKED BY : D. TUTTLE | DATE : 2/2019 |

USER: Arch/Resonand
DGN: R:\Structures\04 Drawings\01_2023_15BPR.20_SNU_B3.dgn