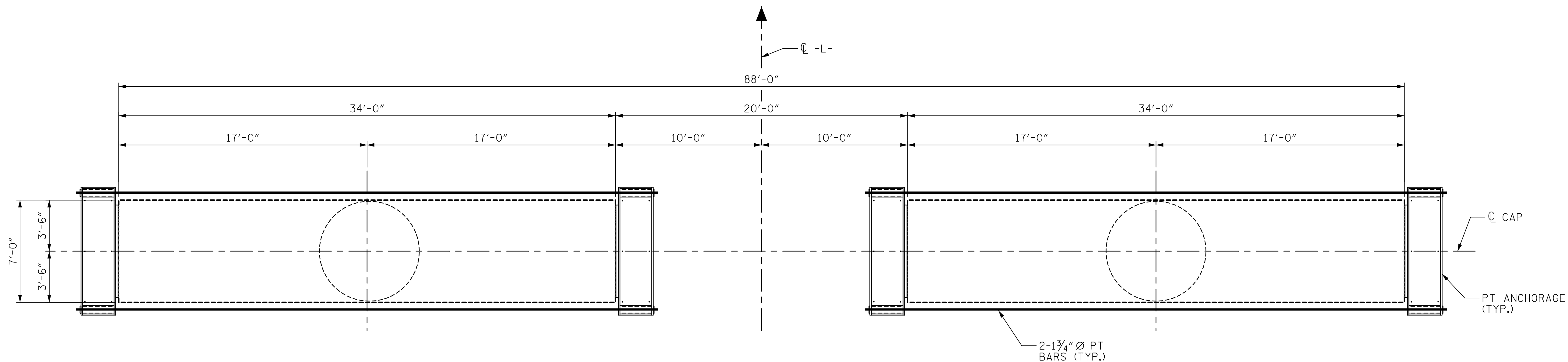
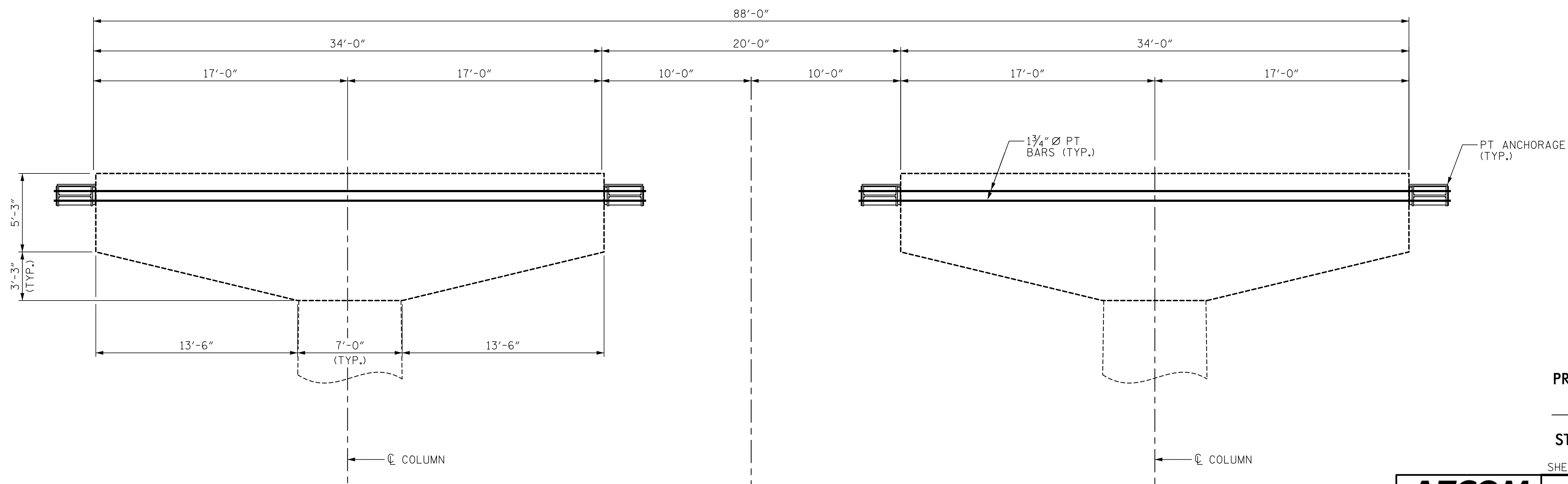


DATE: 2/27/2020
TIME: 4:05:37 PM



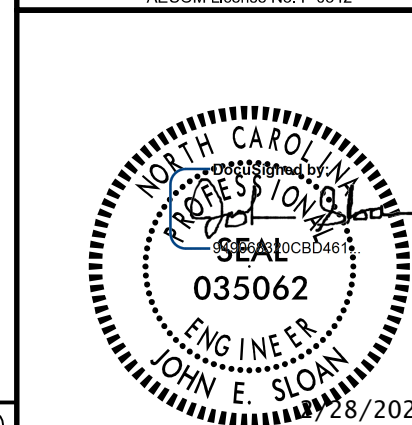
PLAN



ELEVATION

PROJECT NO. 15BPR.20
 HENDERSON COUNTY
 STATION: 35+30.22 -L-

SHEET 2 OF 7



STATE OF NORTH CAROLINA
 DEPARTMENT OF TRANSPORTATION
 RALEIGH

SUBSTRUCTURE
 BENTS 1 & 4
 POST-TENSIONING
 SYSTEM

REVISIONS

NO.	BY:	DATE:	NO.	BY:	DATE:
1			3		
2			4		

SHEET NO.

S-118
 TOTAL SHEETS
 129

DOCUMENT NOT CONSIDERED
 FINAL UNLESS ALL
 SIGNATURES COMPLETED

DRAWN BY : M.K. TOM DATE : 2/2019
 CHECKED BY : J.E. SLOAN DATE : 2/2019
 DESIGNED BY : J.E. SLOAN DATE : 2/2019
 DESIGN CHECKED BY : D. TUTTLE DATE : 2/2019

USER: Arch/Resonand
 DGN: R:\Structures\04 Drawings\01_221_15BPR20_SMU_B2.dgn