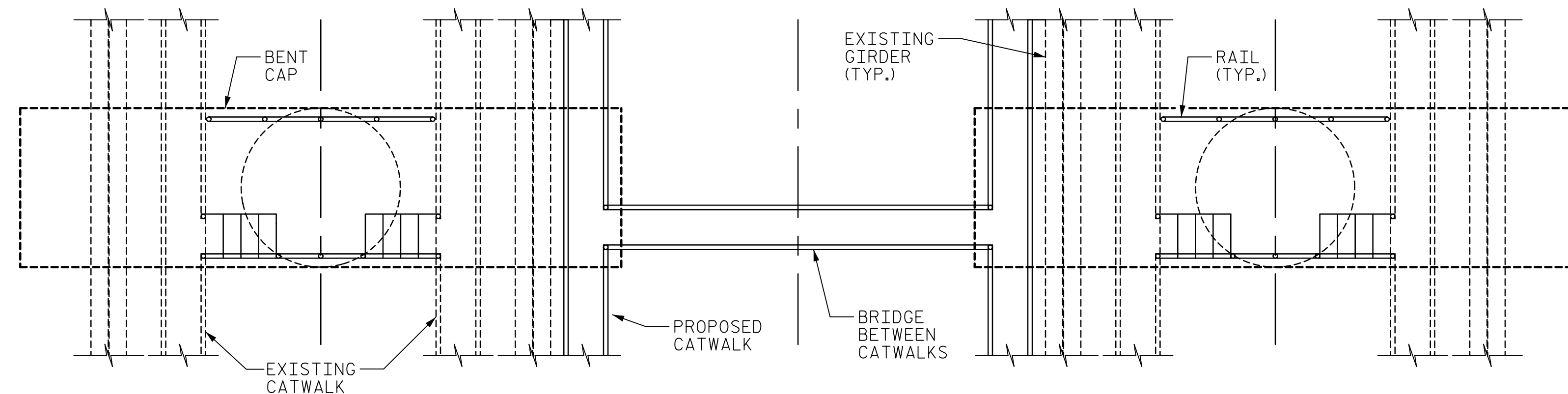
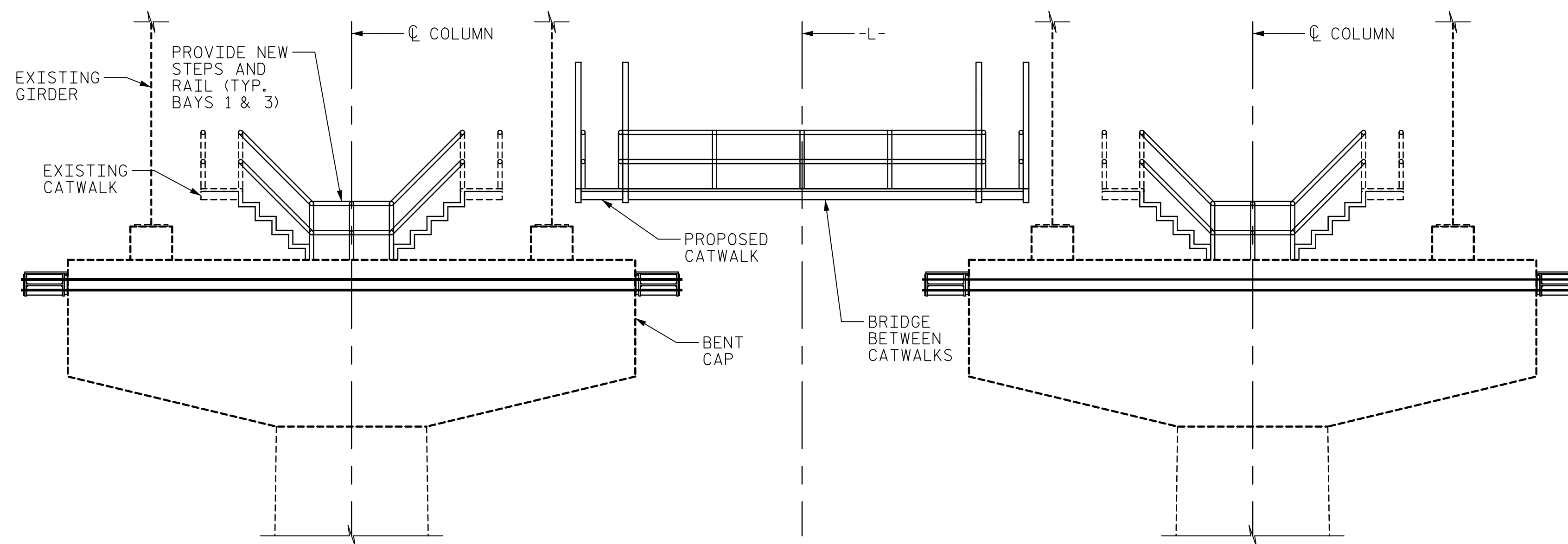


DATE: 2/27/2020
TIME: 4:03:32 PM



PLAN

(P.T. ANCHORAGES AND BARS NOT SHOWN IN PLAN VIEW FOR CLARITY)



ELEVATION

LADDERS AND CATWALKS AT BENTS 2 AND 3

(SUPERSTRUCTURE CROSSFRAMES NOT SHOWN FOR CLARITY)

NOTES:

THIS DRAWING IS A SCHEMATIC ONLY AND IS NOT A WORKING DRAWING.

FOR FURTHER DETAILS, SEE ACCESS AND FALL PROTECTION SPECIAL PROVISION.

CONTRACTOR SHALL SUBMIT WORKING DRAWINGS IN ACCORDANCE WITH THE SPECIAL PROVISION.

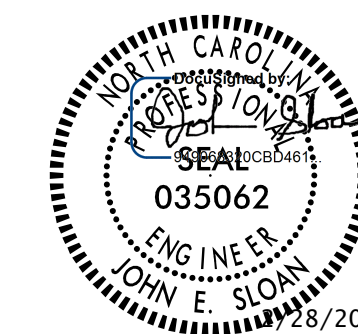
PAYMENT SHALL BE MADE AS A LUMP SUM UNDER ACCESS AND FALL PROTECTION PAY ITEM.

PROJECT NO. 15BPR.20

HENDERSON COUNTY

STATION: 35+30.22 -L-

SHEET 3 OF 3



STATE OF NORTH CAROLINA
DEPARTMENT OF TRANSPORTATION
RALEIGH

ACCESS & FALL PROTECTION

REVISIONS

NO.	BY:	DATE:	NO.	BY:	DATE:
1			3		
2			4		

SHEET NO.

S-99

TOTAL SHEETS

129

DOCUMENT NOT CONSIDERED FINAL UNLESS ALL SIGNATURES COMPLETED

DRAWN BY : S. STREDNAK	DATE : 4/2019
CHECKED BY : J. SLOAN	DATE : 4/2019
DESIGNED BY : N. BROWN/D. TUTTLE	DATE : 4/2019
DESIGN CHECKED BY : J. SLOAN	DATE : 4/2019

USER: \\nc\resourced\Drawings\01_183_15BPR20_SML\DWG.dgn