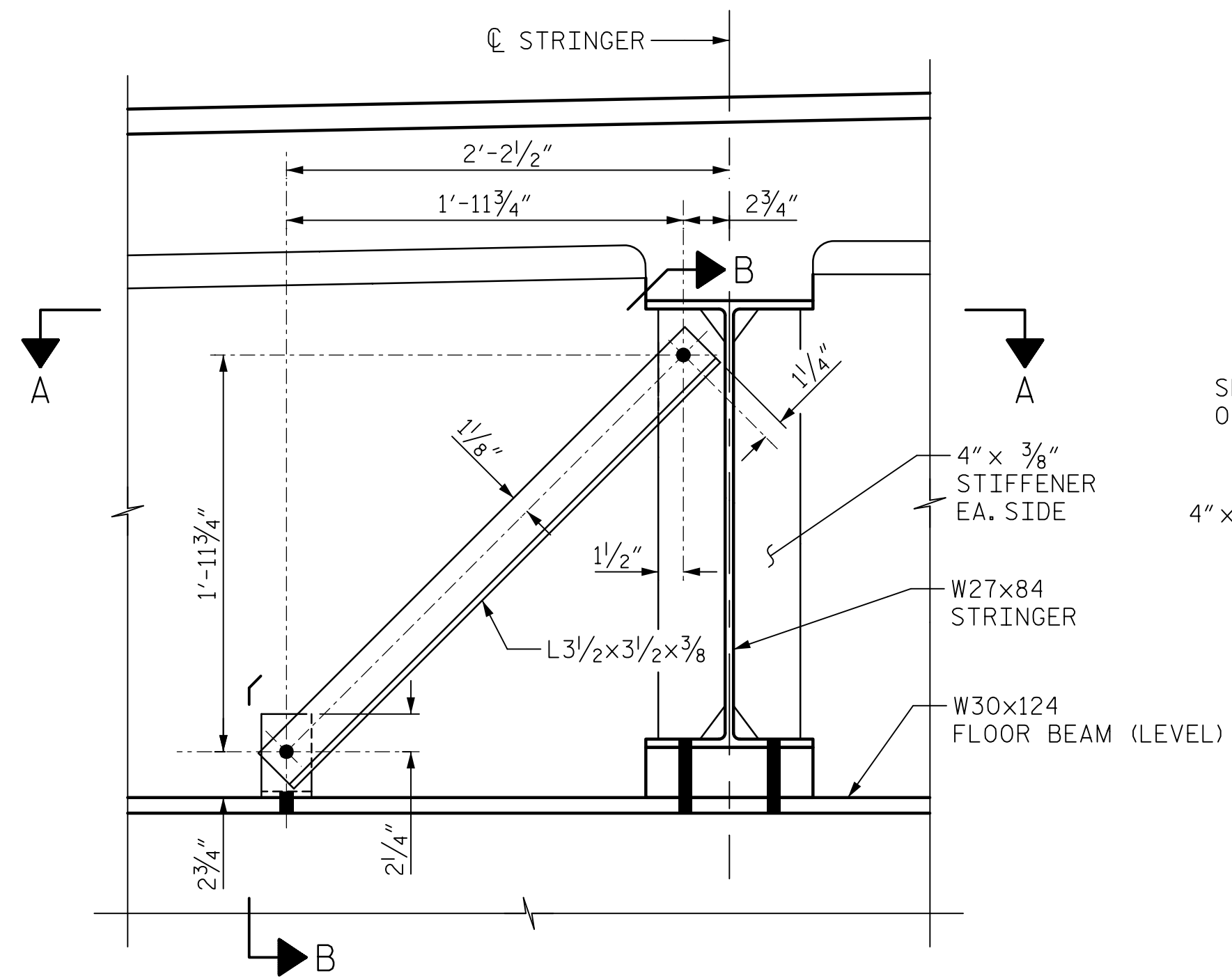
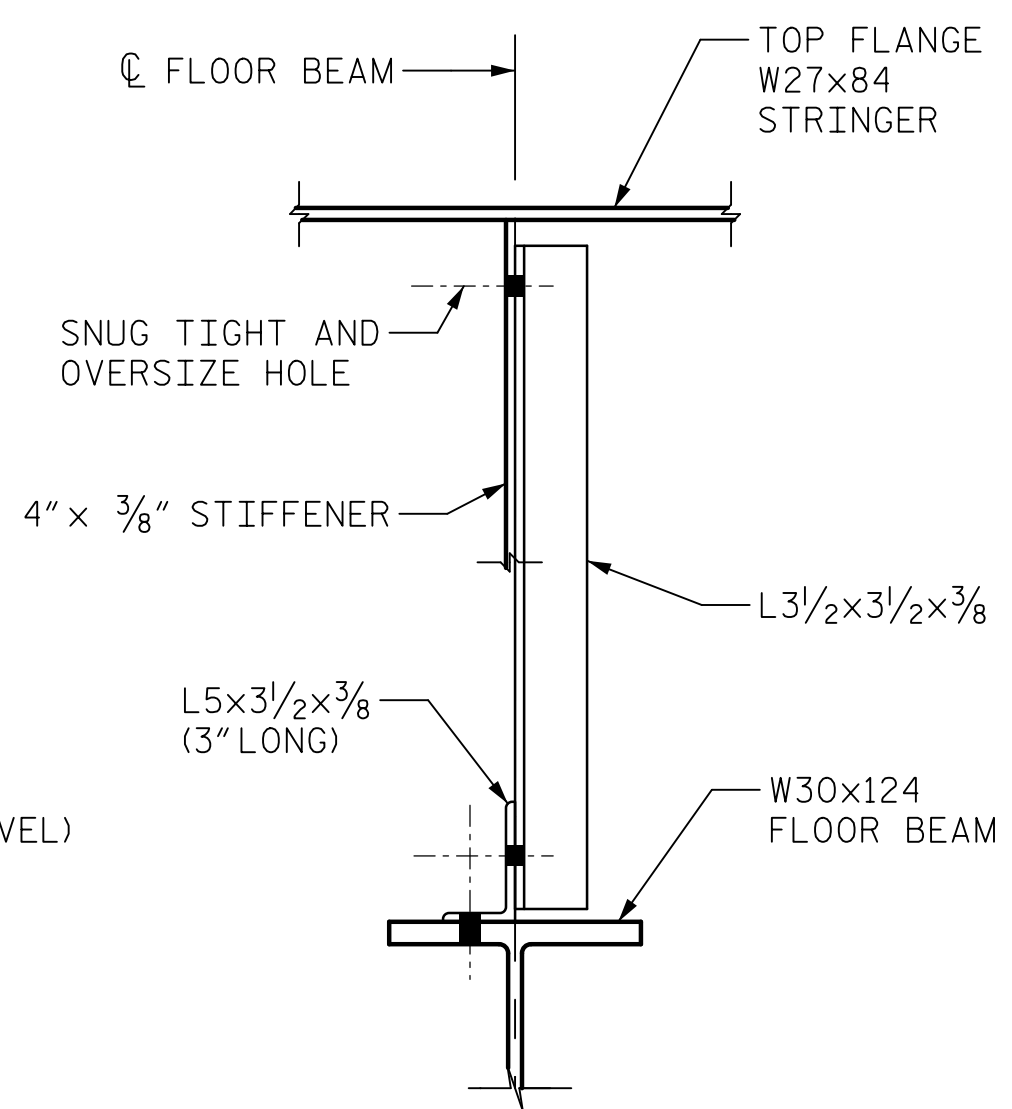


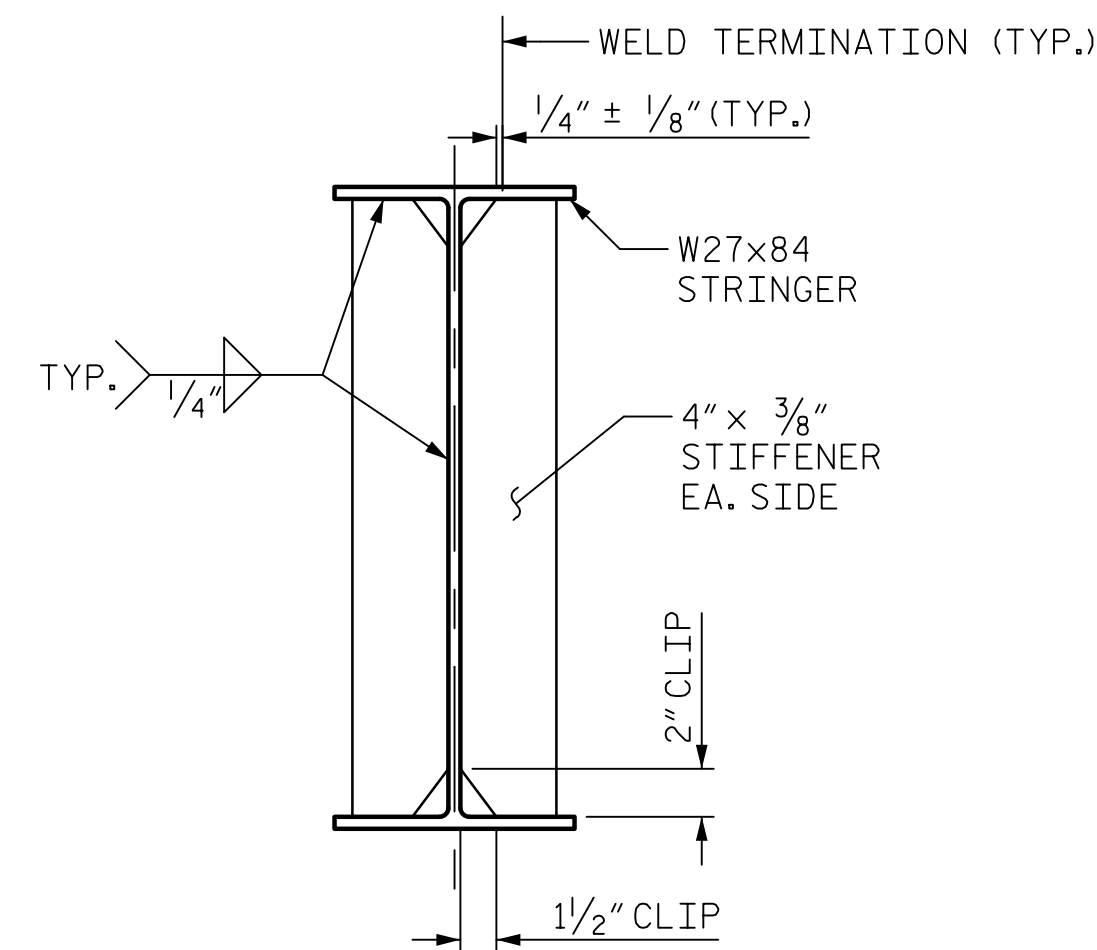
DATE: 02/27/2020  
TIME: 3:31:00 PM



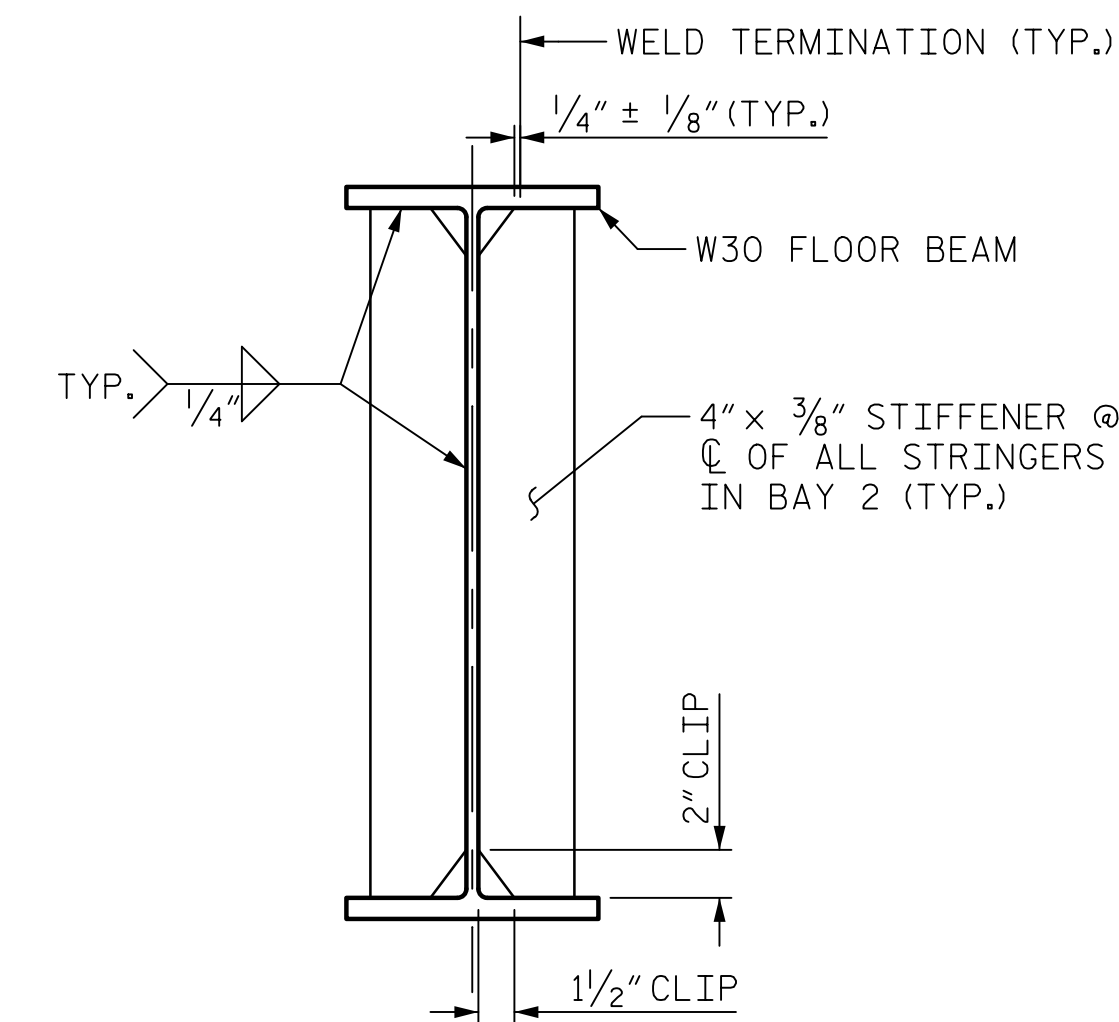
**STRINGER ANGLE BRACE DETAIL**  
(STRINGER 4 SHOWN, STRINGER 5 OPPOSITE HAND)



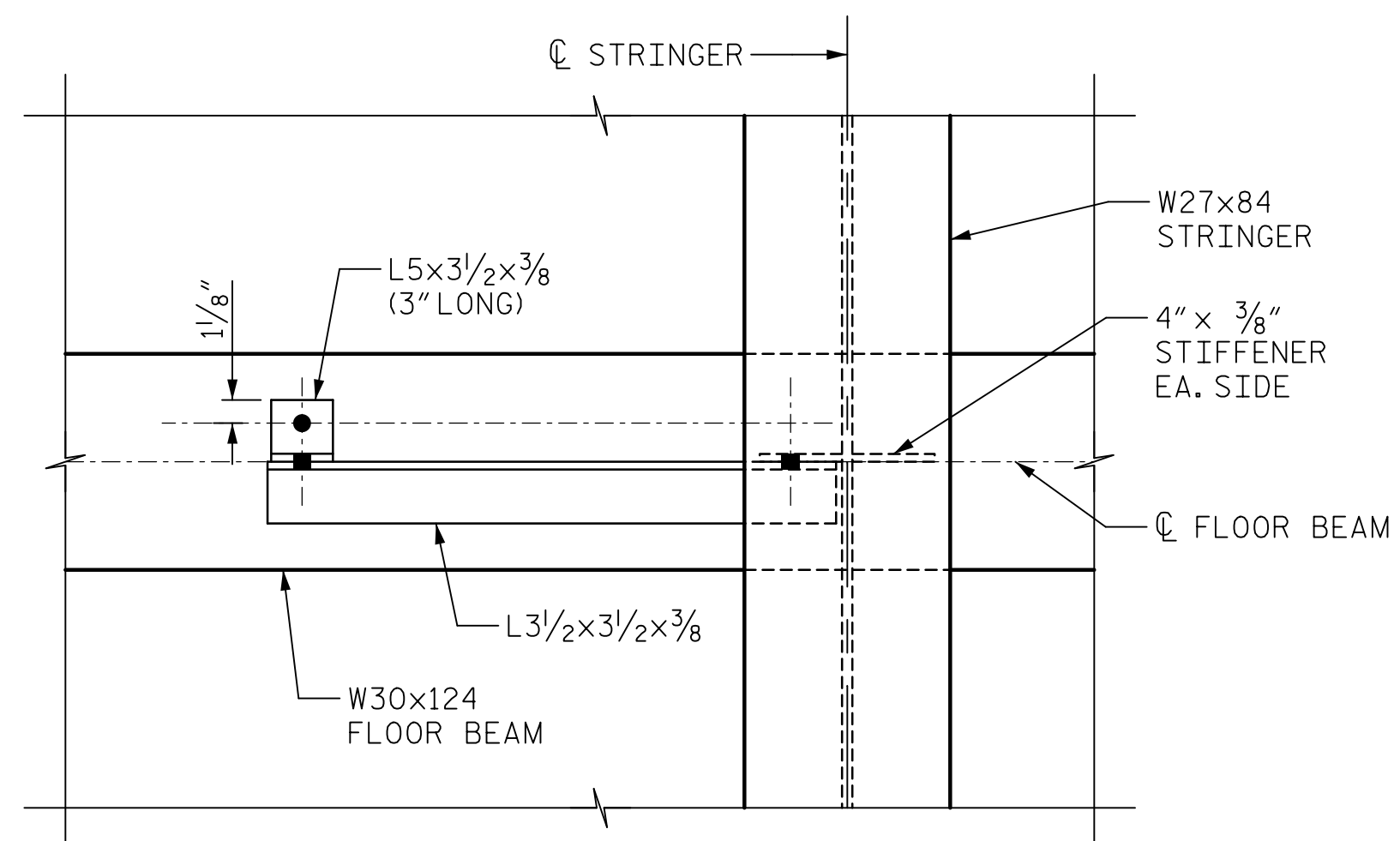
**VIEW B-B**



**STRINGER STIFFENER**  
LOCATED AT CENTERLINE OF EACH FLOORBEAM



**FLOOR BEAM STIFFENER**



**SECTION A-A**

NOTES:  
STRINGER ANGLE BRACE AND STIFFENERS SHALL BE INSTALLED AT CROSSFRAME POINTS A2, A4, 3, 5, 7, 9, 11, 13, 15, 17, 19, 21, 23, 25, 27, 29, 31, 33, 35, E2 AND E4 ON STRINGERS 4 AND 5.

PROJECT NO. 15BPR.20  
HENDERSON COUNTY  
STATION: 35+30.22 -L-

DRAWN BY : S.G. STREDAK      DATE : 03/2019  
CHECKED BY : J.E. SLOAN      DATE : 03/2019  
DESIGNED BY : J.E. SLOAN      DATE : 03/2019  
DESIGN CHECKED BY : J. LIU      DATE : 03/2019

DOCUMENT NOT CONSIDERED  
FINAL UNLESS ALL  
SIGNATURES COMPLETED



STATE OF NORTH CAROLINA  
DEPARTMENT OF TRANSPORTATION  
RALEIGH  
SUPERSTRUCTURE  
STRUCTURAL STEEL  
BAY 2 FLOOR BEAM &  
STRINGER DETAILS

REVISIONS						SHEET NO.
NO.	BY:	DATE:	NO.	BY:	DATE:	S-80
1			3			TOTAL SHEETS
2			4			129

USER: MergeResourced  
DGN: R:\Structures\04 Drawings\01\_JR\_15BPR.20\_SML.dwg