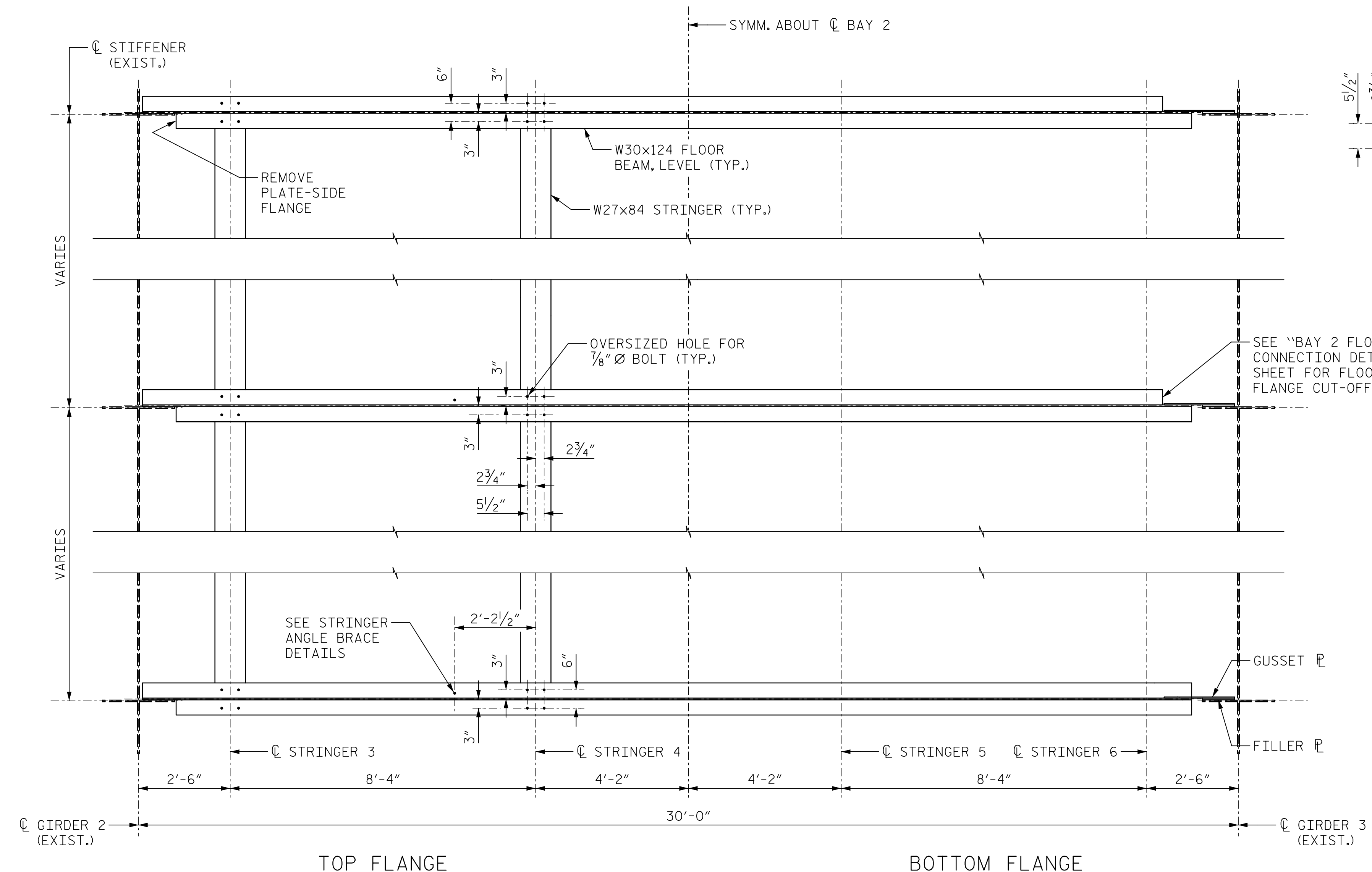
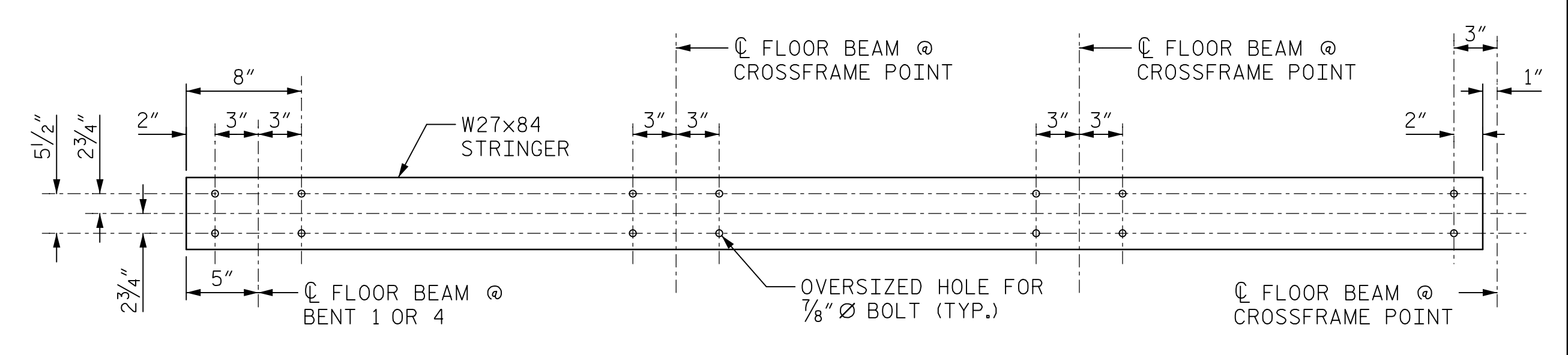


DATE: 2/27/2020  
TIME: 3:50:52 PM

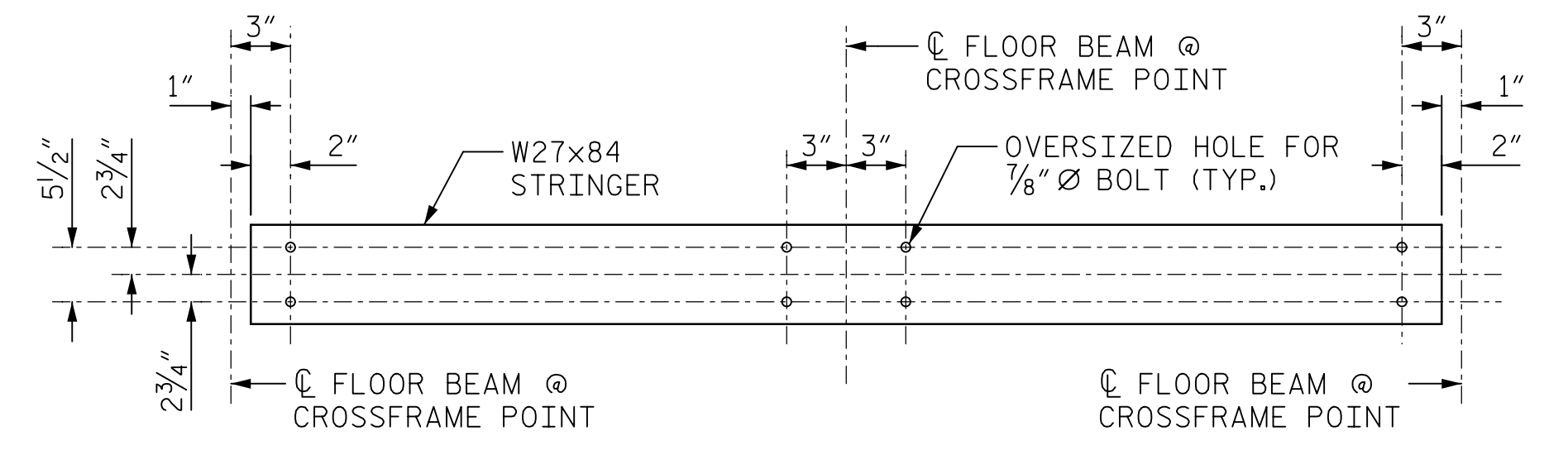
USER: Merit Research  
DGN: R:\Structures\04 Drawings\401\_45\_15BPR20\_SML\_03.dgn



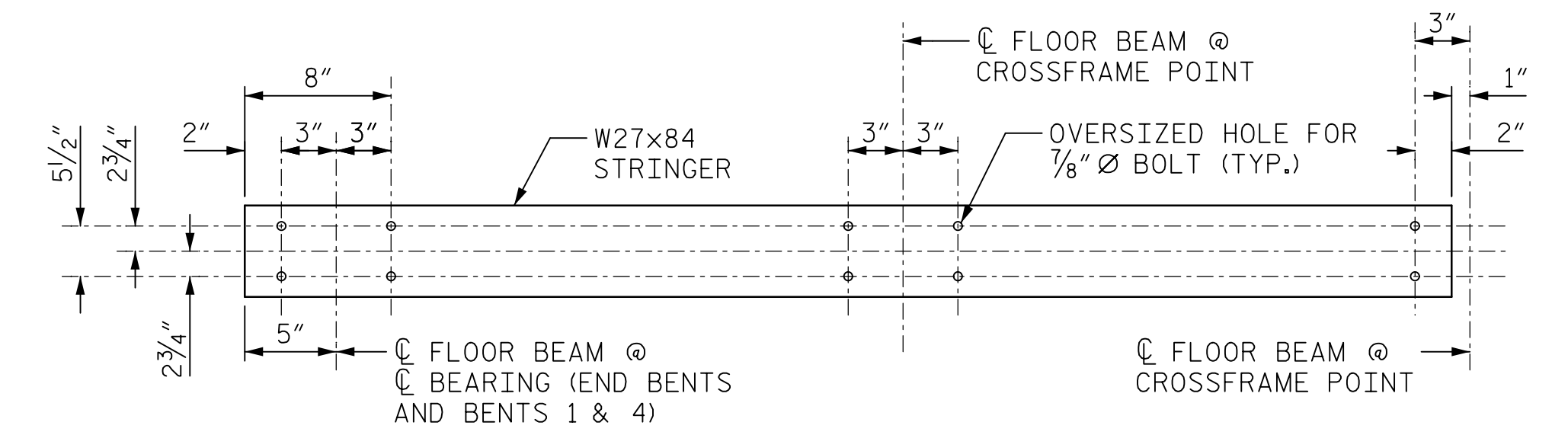
PLAN - BAY 2 FLOOR BEAM FLANGE DETAIL



USE FOR 3-SPAN CONTINUOUS STRINGER

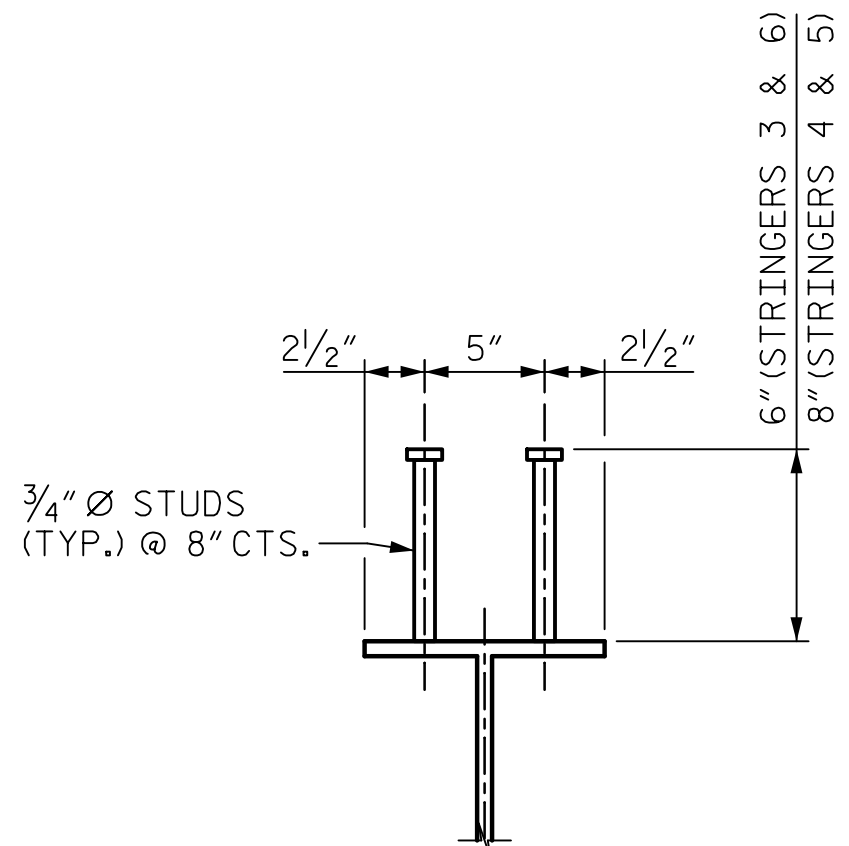


USE FOR 2-SPAN CONTINUOUS STRINGER

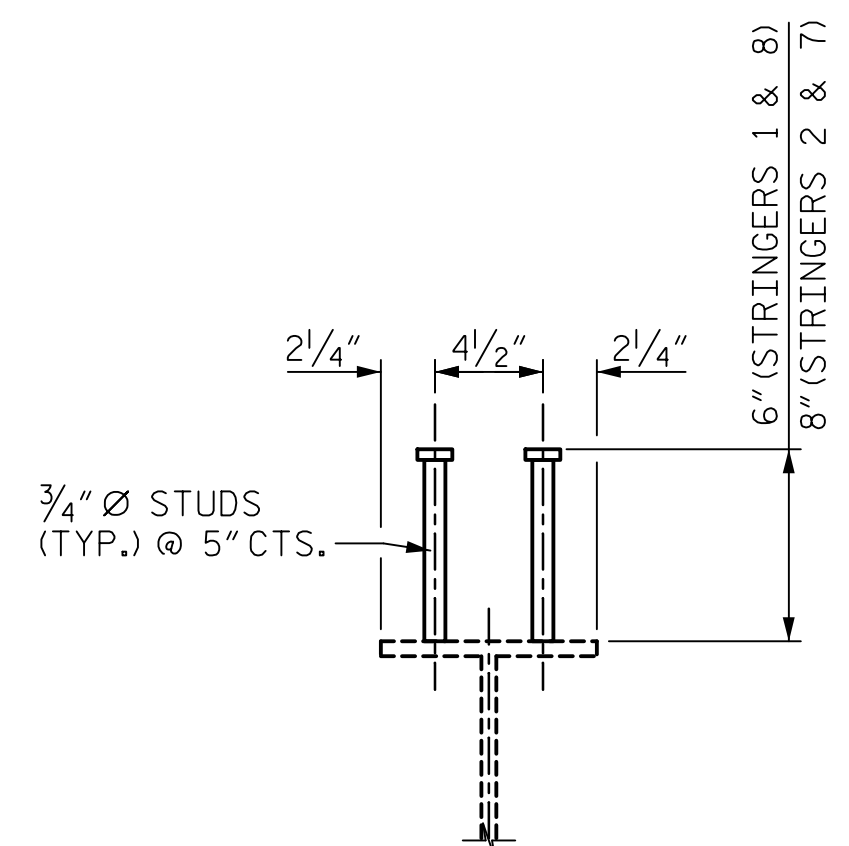


USE FOR 2-SPAN CONTINUOUS STRINGER AT BENT DIAPHRAGM

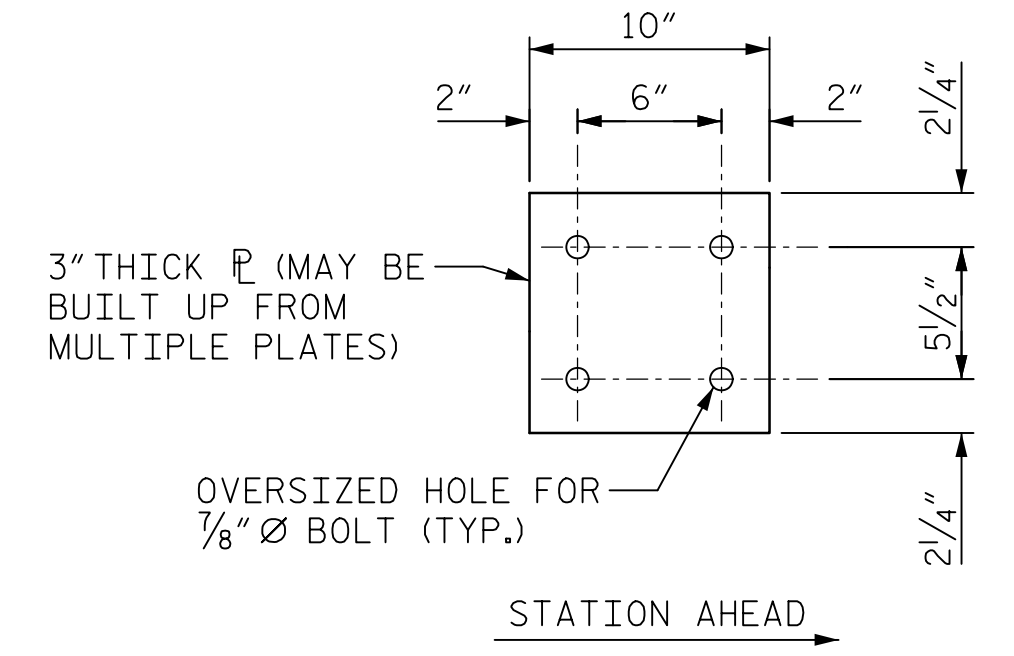
BOTTOM FLANGE DETAIL OF STRINGERS



BAY 2 STRINGER SHEAR CONNECTOR DETAIL

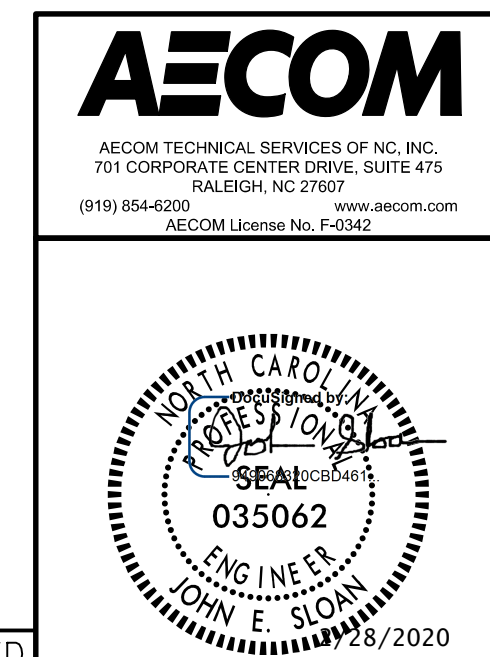


BAYS 1 & 3 STRINGER SHEAR CONNECTOR DETAIL



STRINGER BEARING PLATES

PROJECT NO. 15BPR.20  
 HENDERSON COUNTY  
 STATION: 35+30.22 -L-



STATE OF NORTH CAROLINA  
 DEPARTMENT OF TRANSPORTATION  
 RALEIGH  
 SUPERSTRUCTURE  
 STRUCTURAL STEEL  
 FLOOR BEAM &  
 STRINGER DETAILS

DRAWN BY : S.G. STREDAK	DATE : 01/2019
CHECKED BY : J.E. SLOAN	DATE : 01/2019
DESIGNED BY : D.S. TUTTLE	DATE : 01/2019
DESIGN CHECKED BY : J. LIU	DATE : 01/2019

DOCUMENT NOT CONSIDERED FINAL UNLESS ALL SIGNATURES COMPLETED

REVISIONS						SHEET NO.
NO.	BY:	DATE:	NO.	BY:	DATE:	S-79
1			3			TOTAL SHEETS
2			4			129