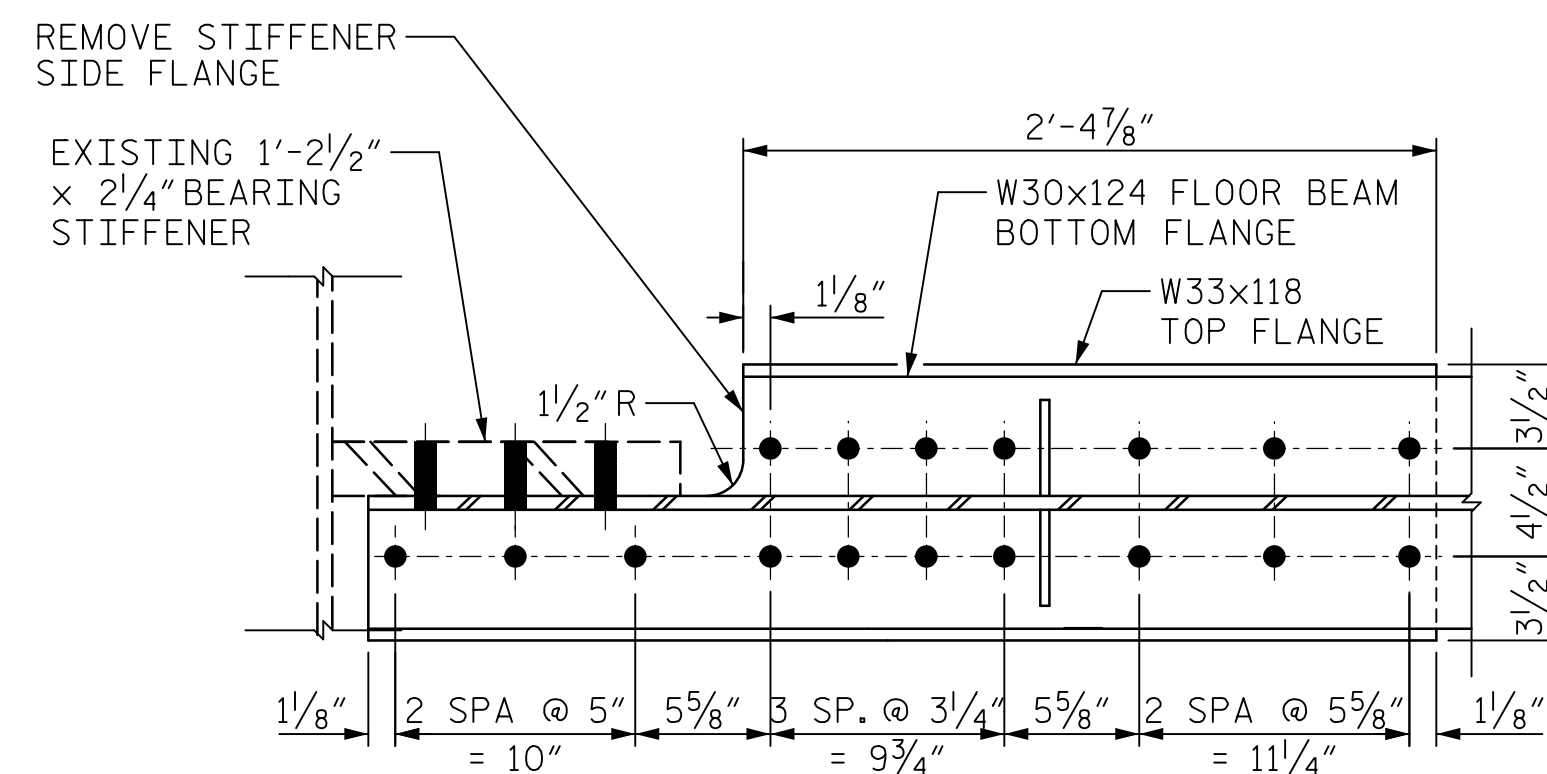
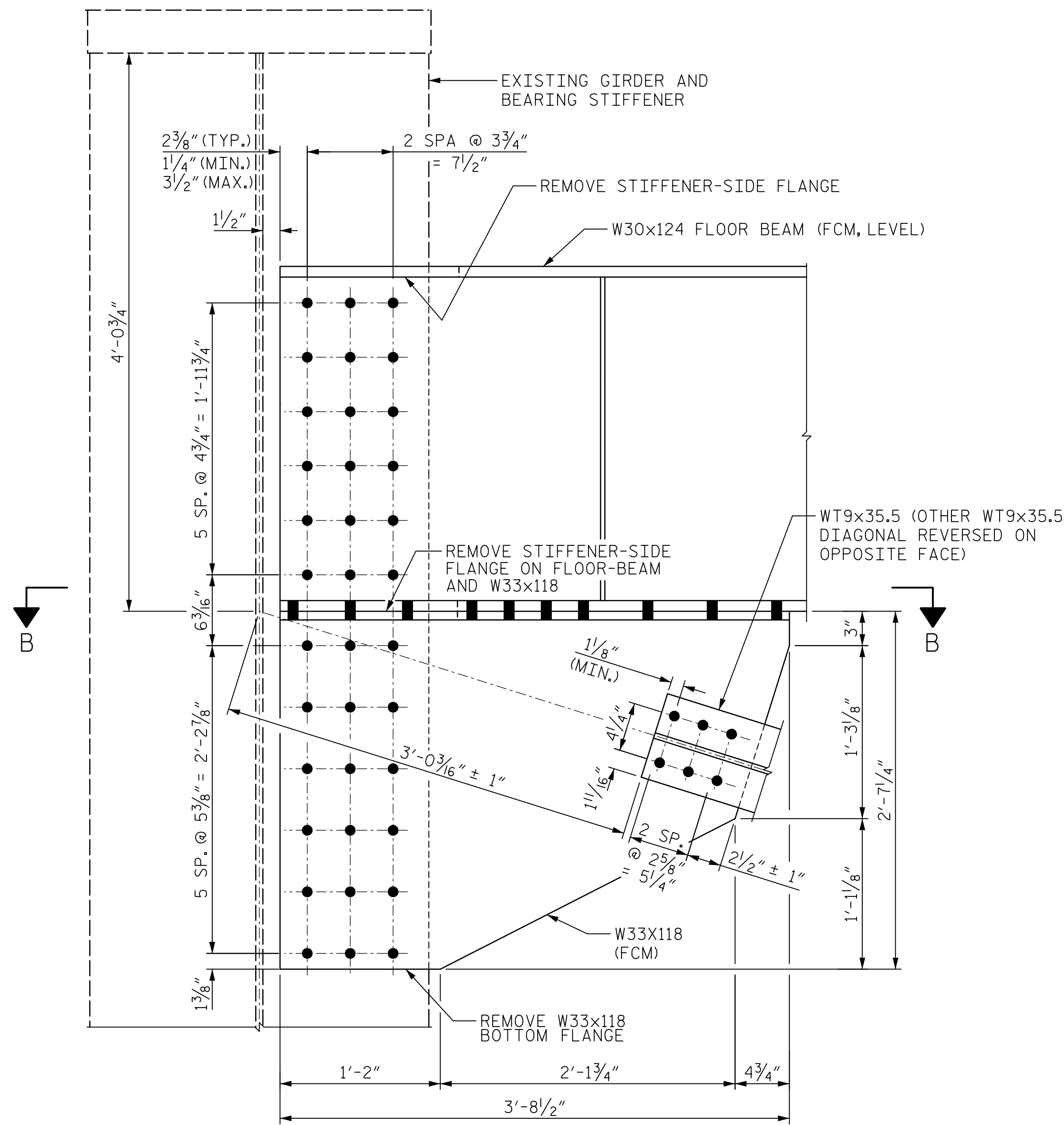
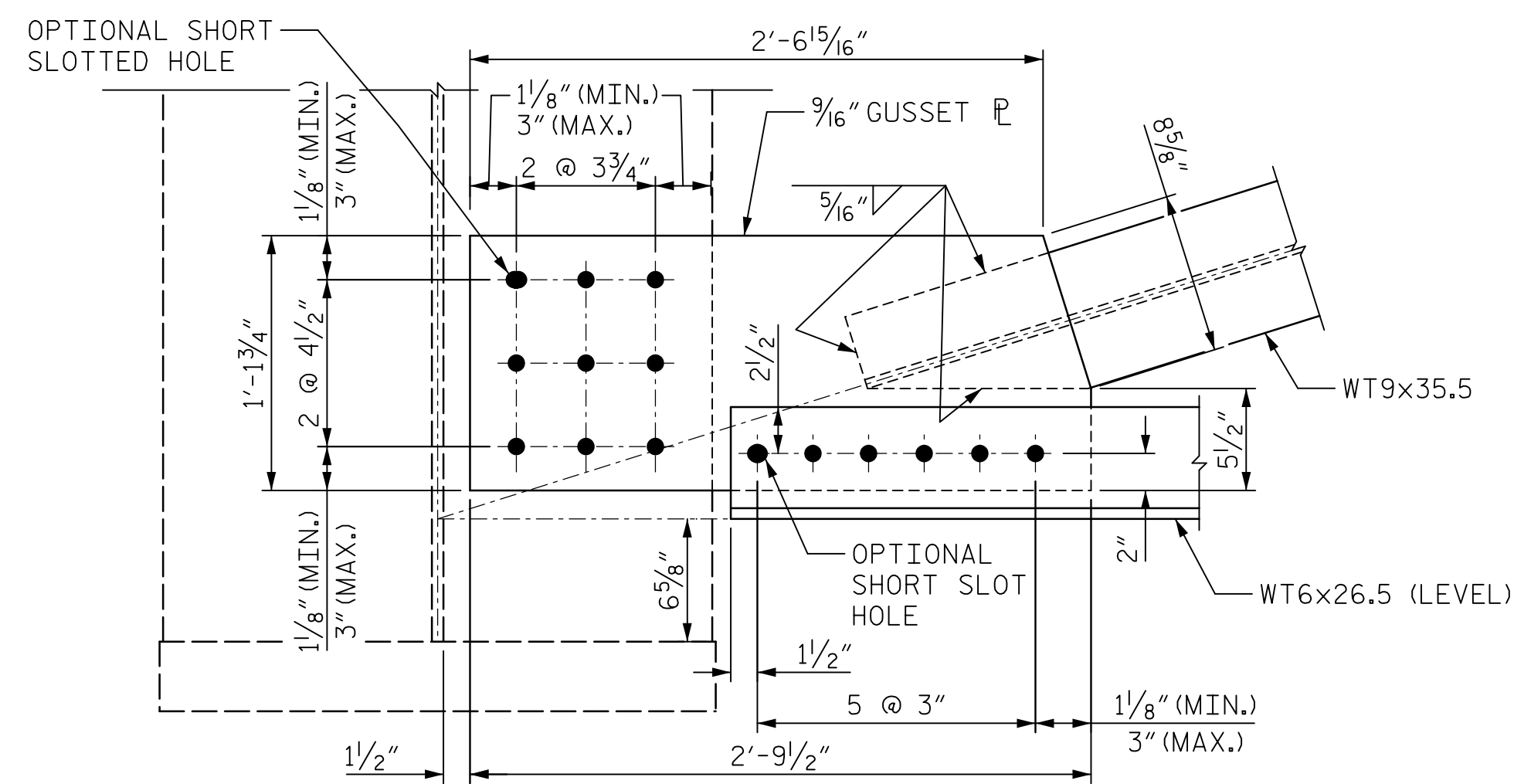


DATE: 02/07/2020  
TIME: 3:50:35 PM

USER: Merch Rosemond  
DIR: R:\Structurals\04 Drawings\401\_43\_15BPR20\_SML\BBA.dgn



SECTION B-B



"X" CROSSFRAME CONNECTION DETAIL

(AT BENTS 2 & 3)  
(CROSSFRAMES 12 & 26)

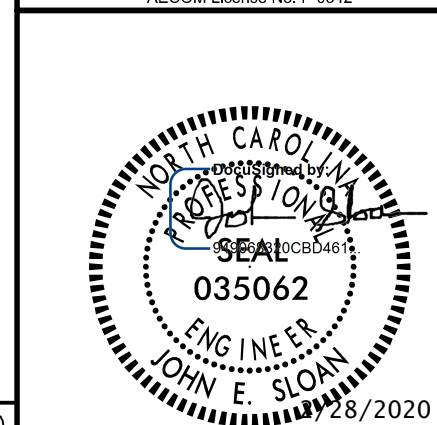
DRAWN BY : H. ROSEMOND DATE : 02/2020  
CHECKED BY : J. SLOAN DATE : 02/2020  
DESIGNED BY : D. TUTTLE DATE : 05/2019  
DESIGN CHECKED BY : J. SLOAN DATE : 10/2019

NOTES:

FOR ADDITIONAL WT9x35.5 AND WT6x26.5 CONNECTION DETAILS AT THE CENTERLINE OF BAY 2, SEE "TYPICAL BOTTOM LATERAL AND STRUT CONNECTION DETAILS" ON SHEET 1 OF 2.

PROJECT NO. 15BPR.20  
HENDERSON COUNTY  
STATION: 35+30.22 -L-

SHEET 2 OF 2



STATE OF NORTH CAROLINA  
DEPARTMENT OF TRANSPORTATION  
RALEIGH  
SUPERSTRUCTURE

STRUCTURAL STEEL  
BAY 2 "X" CROSSFRAME  
DETAILS

REVISIONS						SHEET NO.
NO.	BY:	DATE:	NO.	BY:	DATE:	S-78
1			3			TOTAL SHEETS
2			4			129

DOCUMENT NOT CONSIDERED  
FINAL UNLESS ALL  
SIGNATURES COMPLETED