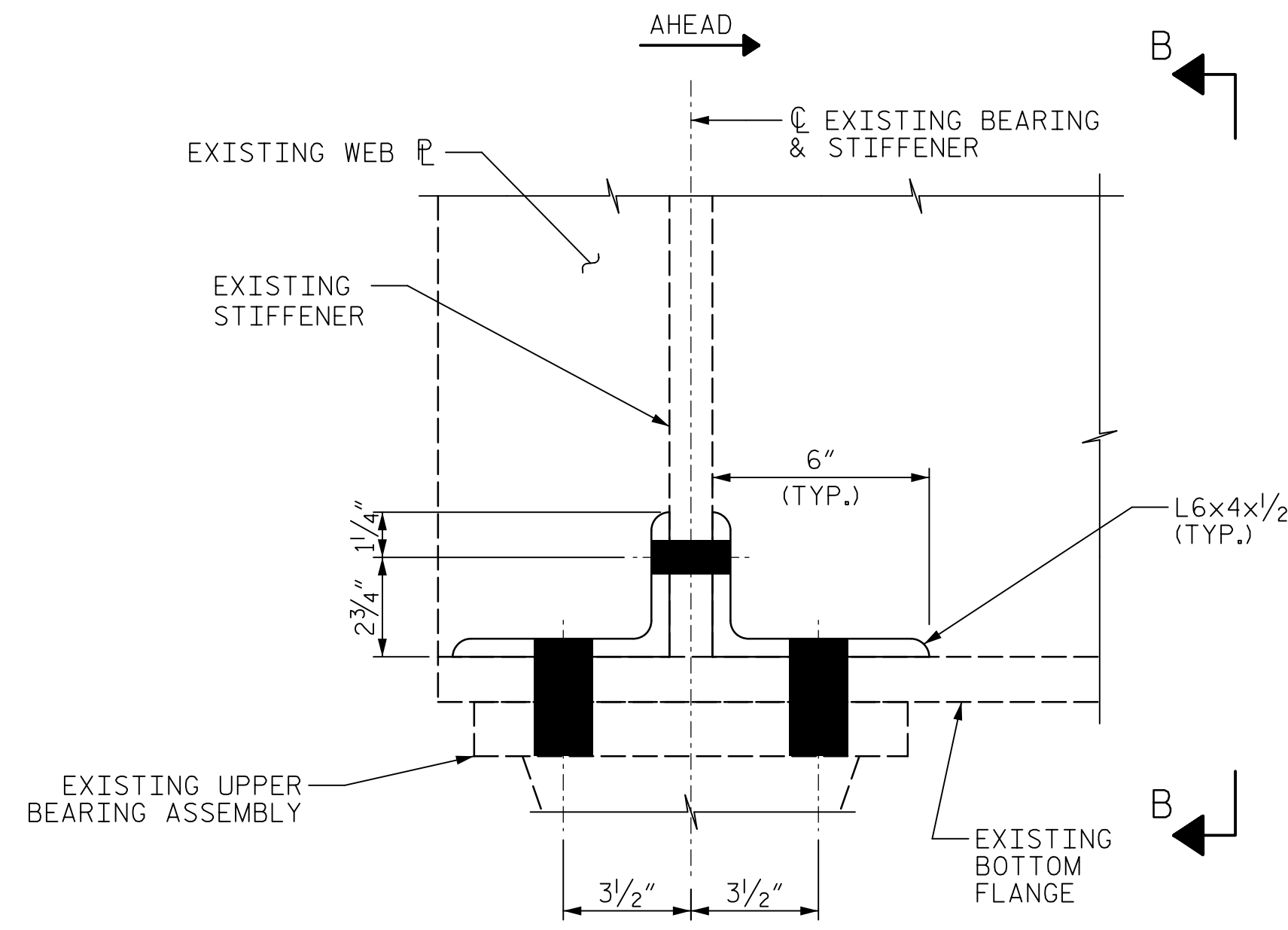
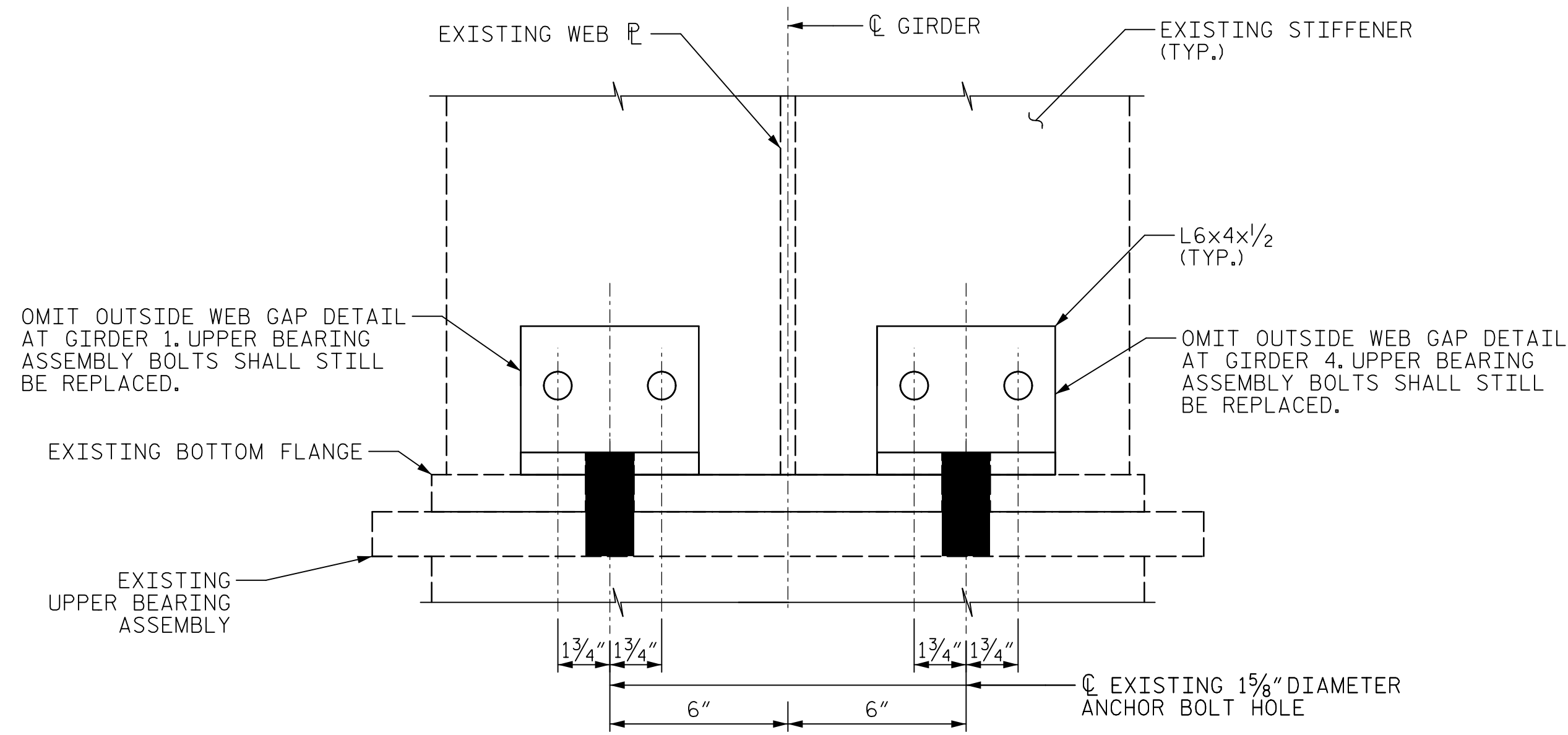


CROSSFRAME POINT	WEB GAP DETAIL ID LOCATIONS			
	GIRDER 1	GIRDER 2	GIRDER 3	GIRDER 4
1	X	X	X	X
37	X	X	X	X



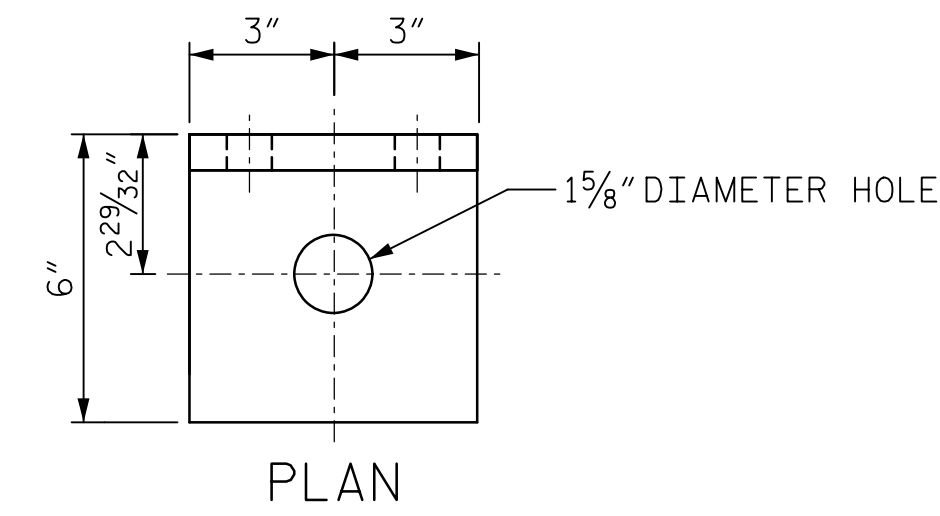
ELEVATION
SHOWN AT CROSSFRAME POINT 1,
SIMILAR AT CROSSFRAME POINT 37.
(MIRRORED)



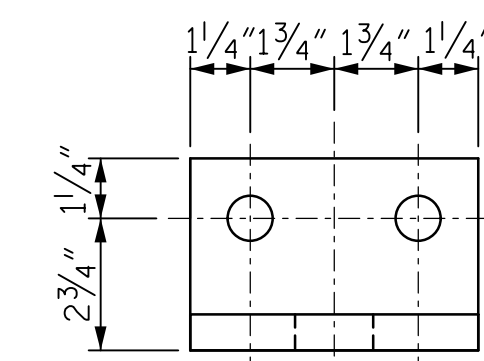
VIEW B-B

NOTE: INSTALL NEW ASTM F3125 GRADE 325 1 1/2" BOLTS TO FIT CONNECTION THRU UPPER BEARING ASSEMBLY, BOTTOM FLANGE, AND ANGLE. REMOVE ONE BOLT AT A TIME AND REINSTALL WITH ANGLE PRIOR TO REMOVING OTHER BOLTS.

WEB GAP DETAIL X



PLAN

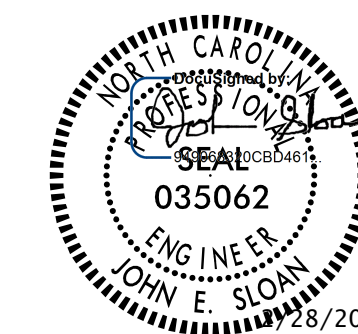


ELEVATION

L6x4x1/2 DETAIL

PROJECT NO. 15BPR.20
HENDERSON COUNTY
STATION: 35+30.22 -L-

SHEET 3 OF 4



STATE OF NORTH CAROLINA
DEPARTMENT OF TRANSPORTATION
RALEIGH
SUPERSTRUCTURE

**STRUCTURAL STEEL
WEB GAP RETROFIT
DETAILS**

REVISIONS						SHEET NO. S-72
NO.	BY:	DATE:	NO.	BY:	DATE:	
1			3			TOTAL SHEETS 129
2			4			

DOCUMENT NOT CONSIDERED
FINAL UNLESS ALL
SIGNATURES COMPLETED

DATE: 2/27/2020
TIME: 3:25:35 PM

USER: Hersh Rosemond
DIR: R:\Structures\04 Drawings\01\15_15BPR20_SML\648.dgn

DRAWN BY : M. CATER	DATE : 10/2019
CHECKED BY : J.E. SLOAN	DATE : 10/2019
DESIGNED BY : H. ROSEMOND	DATE : 10/2019
DESIGN CHECKED BY : J. SLOAN	DATE : 10/2019