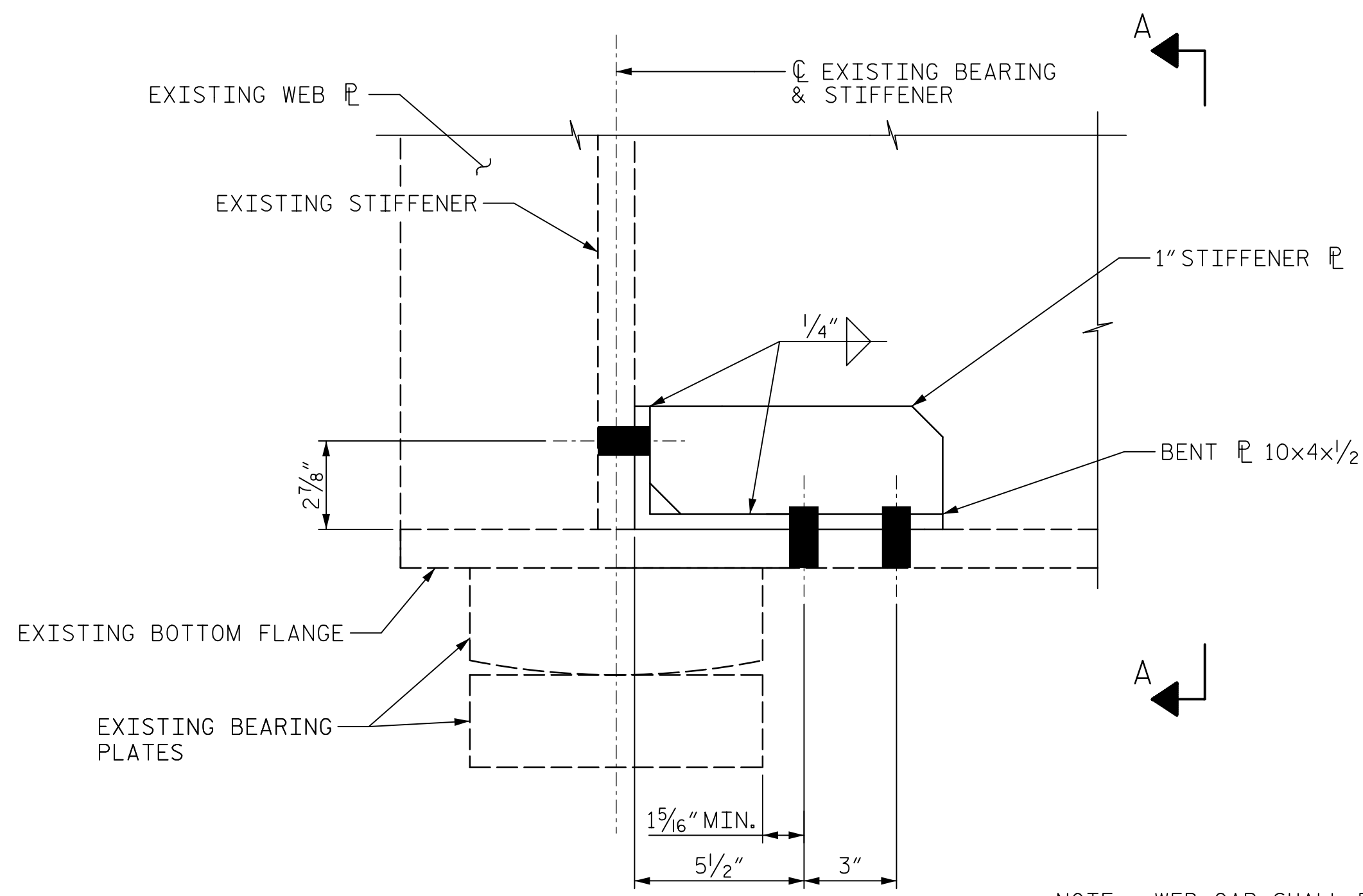


DATE: 2/27/2020 TIME: 3:25:27 PM

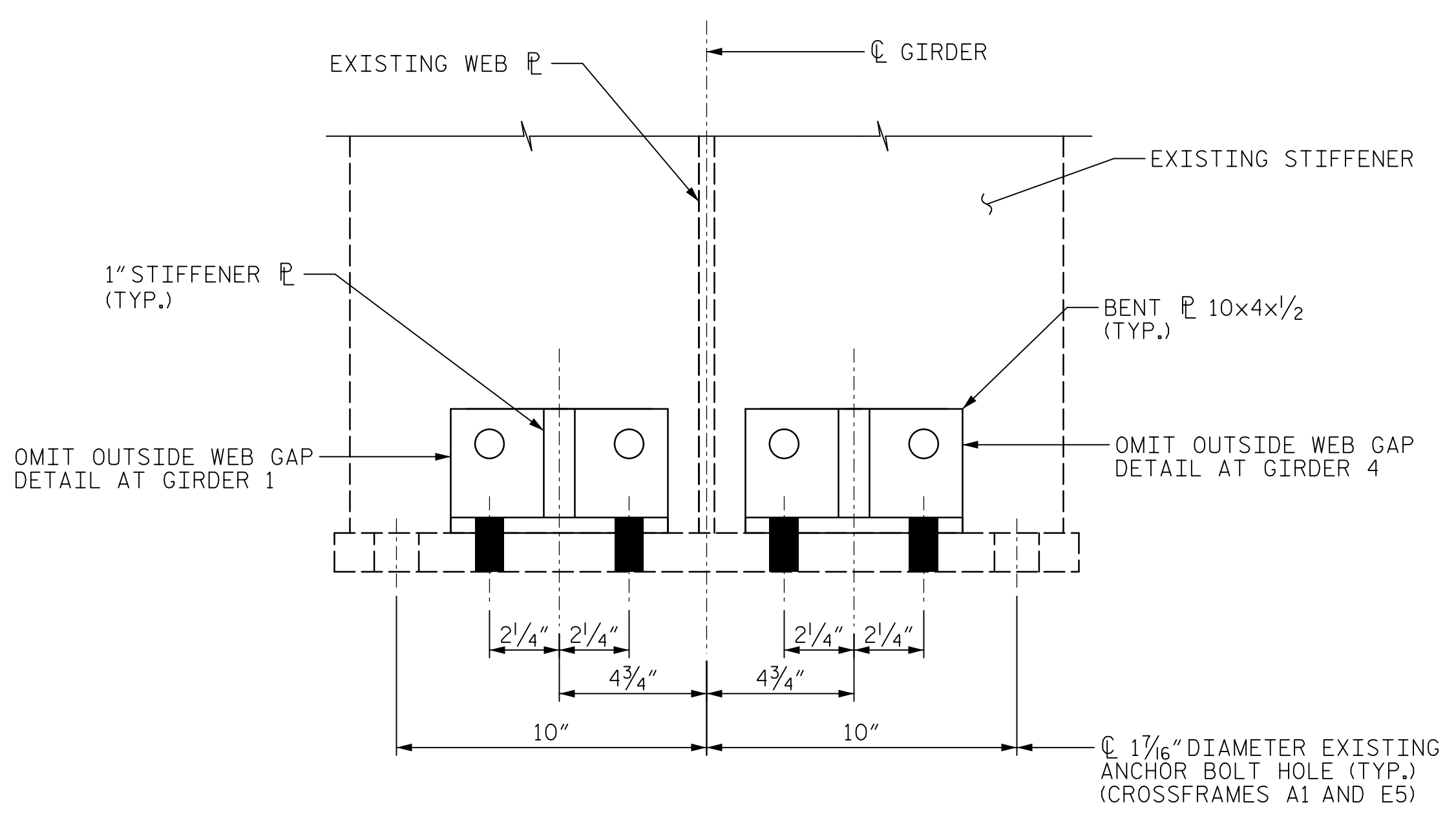
USER: MchRosenmond DOB: R:\Structures\04 Drawings\01_15_15BPR20_SML\G4A.dgn



ELEVATION

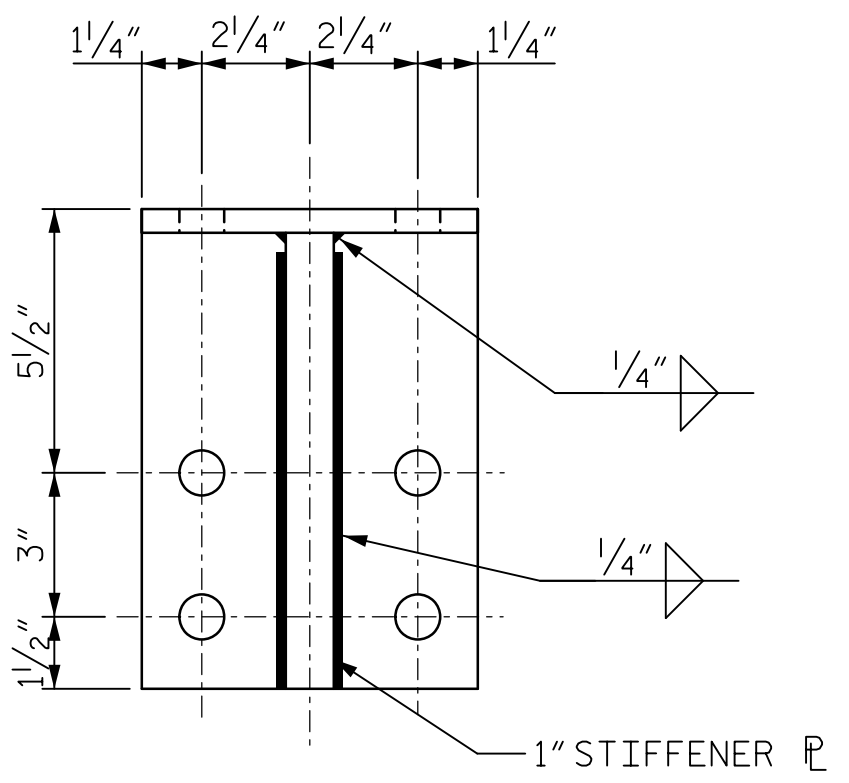
SHOWN AT CROSSFRAME POINT A1. SIMILAR AT CROSSFRAME POINTS A5, E1, & E5.

NOTE: WEB GAP SHALL BE INSTALLED AHEAD STATION OF THE EXISTING STIFFENER AT CROSSFRAMES A1 AND E1 AND BACK STATION OF THE EXISTING STIFFENER AT CROSSFRAMES A5 AND E5.



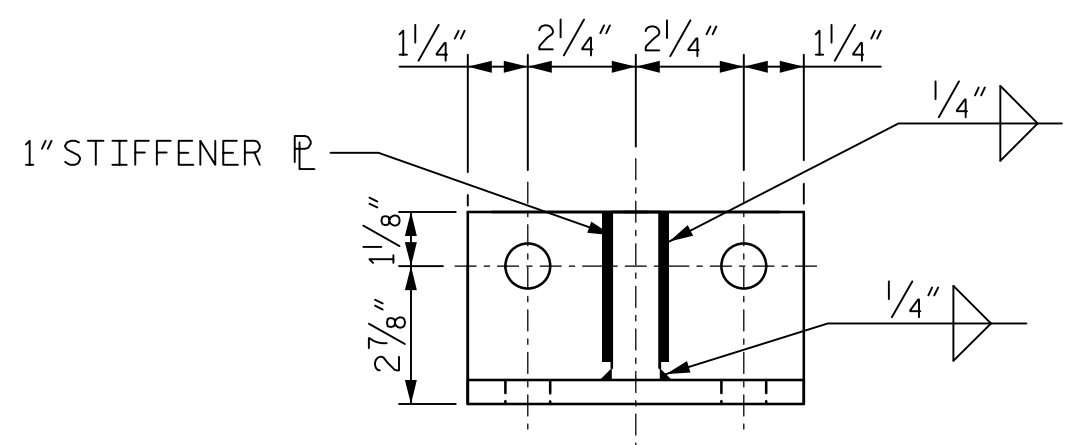
VIEW A-A

CROSSFRAME POINT	WEB GAP DETAIL ID LOCATIONS			
	GIRDER 1	GIRDER 2	GIRDER 3	GIRDER 4
A1	W	W	W	W
A5	W	W	W	W
E1	W	W	W	W
E5	W	W	W	W

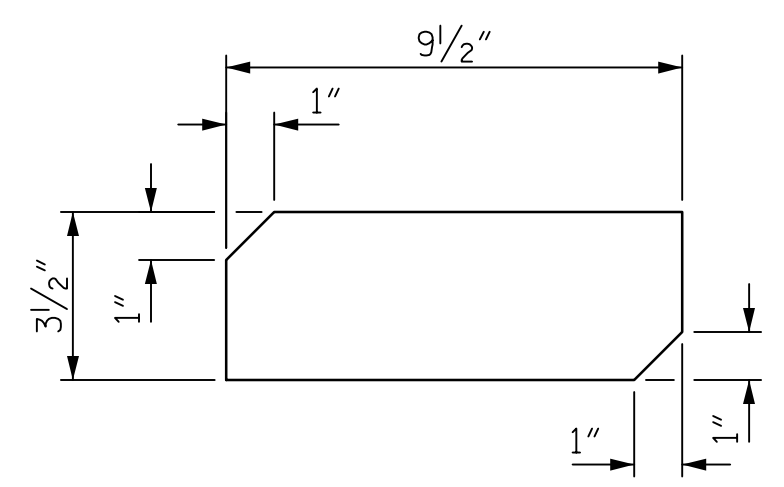


PLAN

WEB GAP DETAIL W



ELEVATION



1" STIFFENER PLATE

BENT PLATE 10x4x1/2 DETAIL

PROJECT NO. 15BPR.20
HENDERSON COUNTY
 STATION: 35+30.22 -L-

SHEET 2 OF 4



STATE OF NORTH CAROLINA
 DEPARTMENT OF TRANSPORTATION
 RALEIGH
 SUPERSTRUCTURE

**STRUCTURAL STEEL
 WEB GAP RETROFIT
 DETAILS**

REVISIONS						SHEET NO.
NO.	BY:	DATE:	NO.	BY:	DATE:	S-71
1			3			TOTAL SHEETS
2			4			129

DOCUMENT NOT CONSIDERED FINAL UNLESS ALL SIGNATURES COMPLETED

DRAWN BY : M. CATER	DATE : 10/2019
CHECKED BY : J.E. SLOAN	DATE : 10/2019
DESIGNED BY : H. ROSEMOND	DATE : 10/2019
DESIGN CHECKED BY : J. SLOAN	DATE : 10/2019