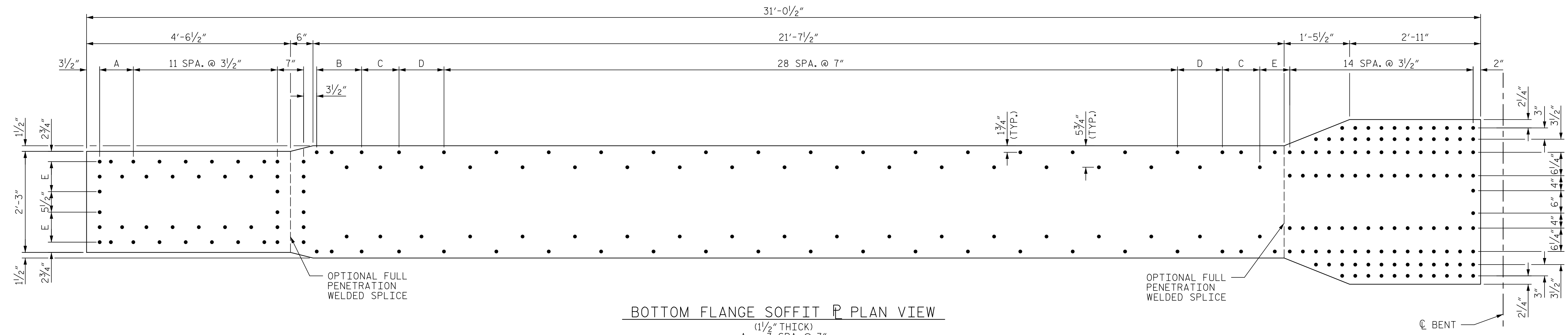
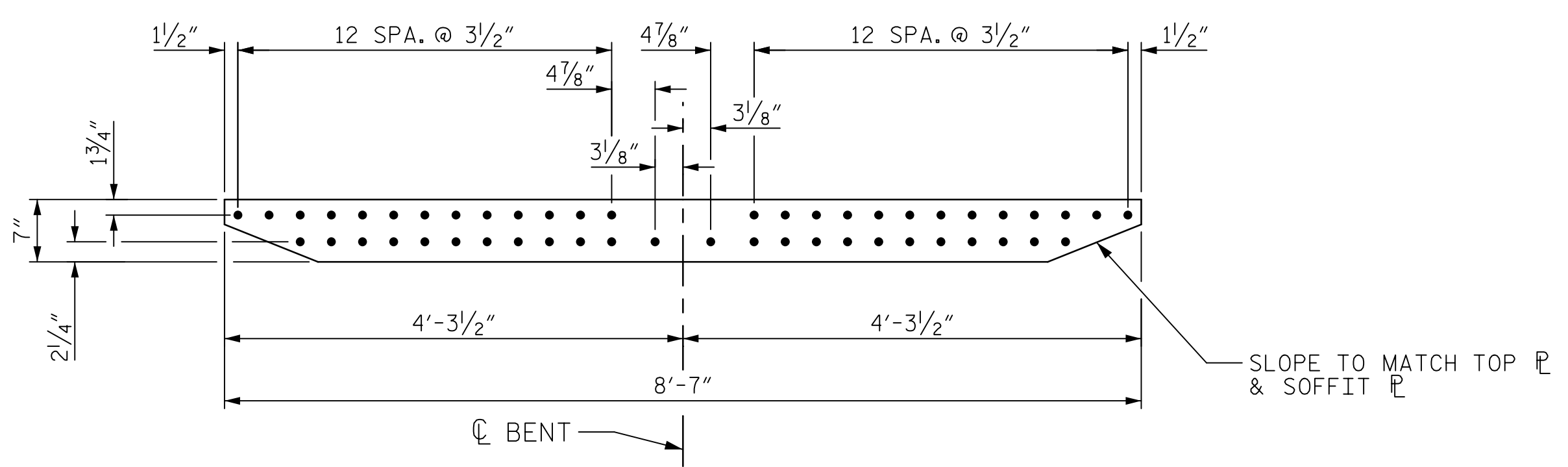


DATE: 2/27/2020
TIME: 3:25:23 PM

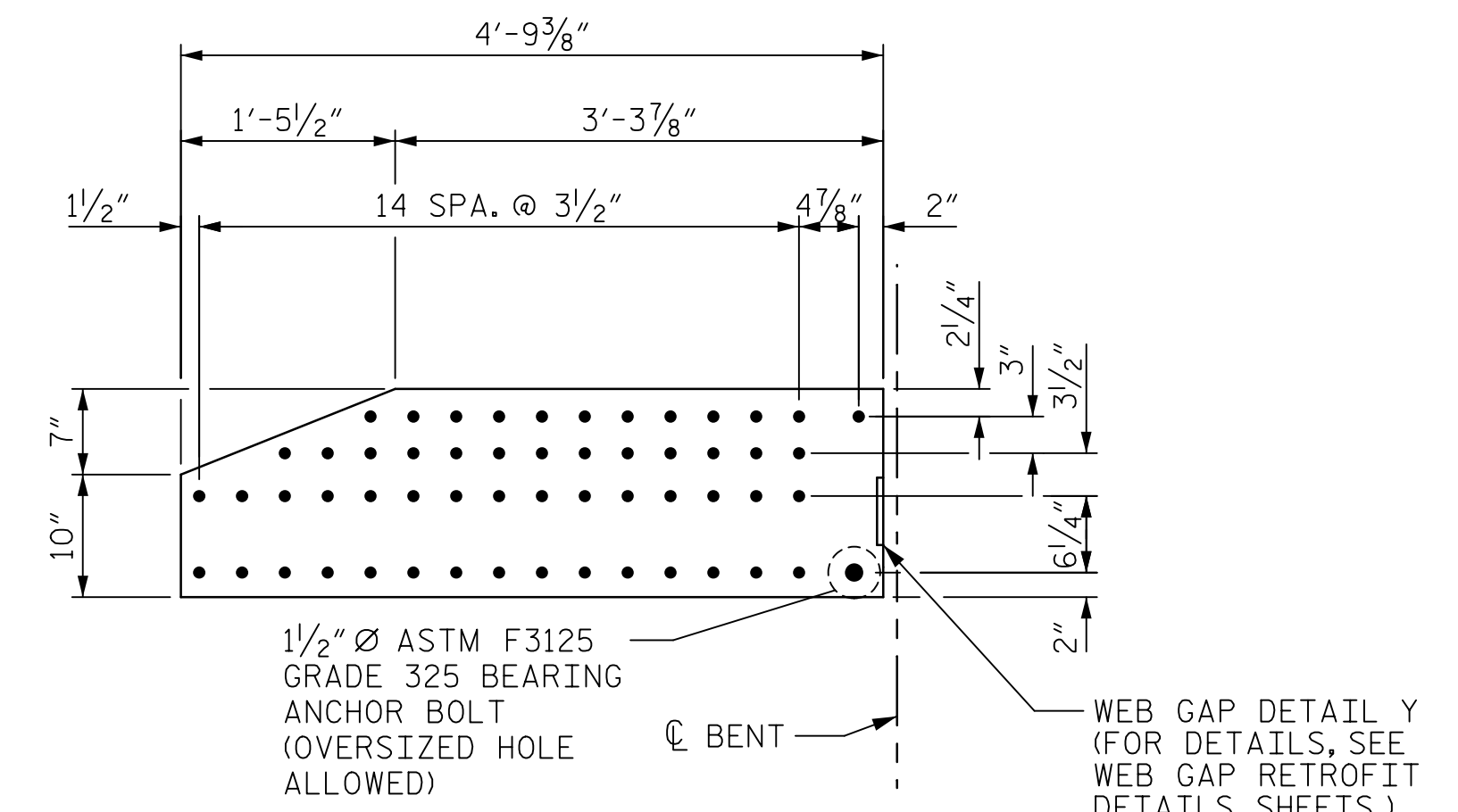


BOTTOM FLANGE SOFFIT P PLAN VIEW

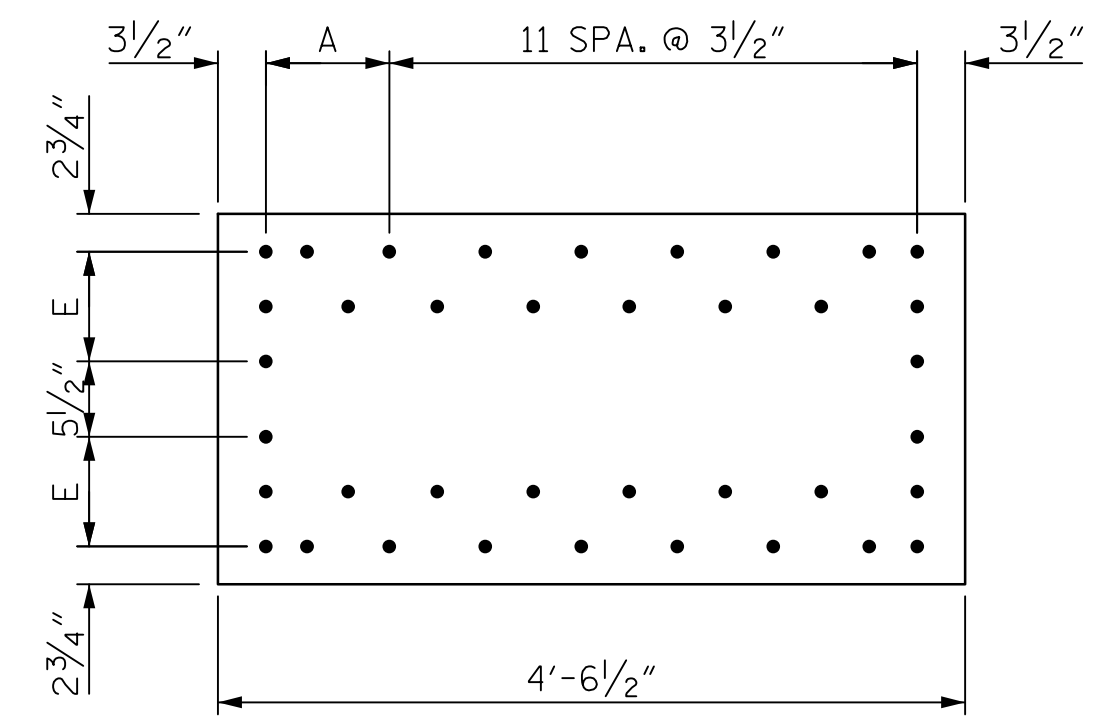
- (1/2" THICK)
- A. 3 SPA. @ 3"
 - B. 3 SPA. @ 4"
 - C. 2 SPA. @ 5"
 - D. 2 SPA. @ 6"
 - E. 2 SPA. @ 4"



BOTTOM FLANGE FLANK P PLAN VIEW
(3 3/4" THICK)



BOTTOM FLANGE TOP P PLAN VIEW
(2 1/4" THICK)



BOTTOM FLANGE FILLER P PLAN VIEW

- (1" THICK)
- A. 3 SPA. @ 3"
 - E. 2 SPA. @ 4"

PROJECT NO. 15BPR.20
HENDERSON COUNTY
 STATION: 35+30.22 -L-

SHEET 3 OF 3



STATE OF NORTH CAROLINA
 DEPARTMENT OF TRANSPORTATION
 RALEIGH
 SUPERSTRUCTURE
 BENTS 2 & 3
 BOTTOM FLANGE
 COVER PLATE DETAILS

REVISIONS						SHEET NO.
NO.	BY:	DATE:	NO.	BY:	DATE:	S-64
1			3			TOTAL SHEETS
2			4			129

DOCUMENT NOT CONSIDERED
 FINAL UNLESS ALL
 SIGNATURES COMPLETED

DRAWN BY : M.K. TOM DATE : 2/2019
 CHECKED BY : J.E. SLOAN DATE : 2/2019
 DESIGNED BY : N. BROWN/D. TUTTLE DATE : 2/2019
 DESIGN CHECKED BY : J. SLOAN/J. LIU DATE : 2/2019

USER: MerchAssessord
 DGN: R:\Structures\04 Drawings\01\127_15BPR20_SML\BE14.dgn