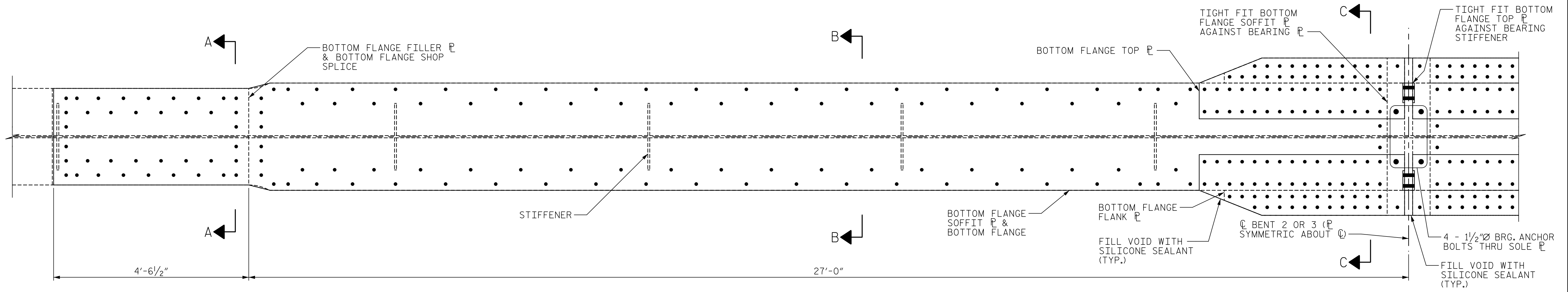
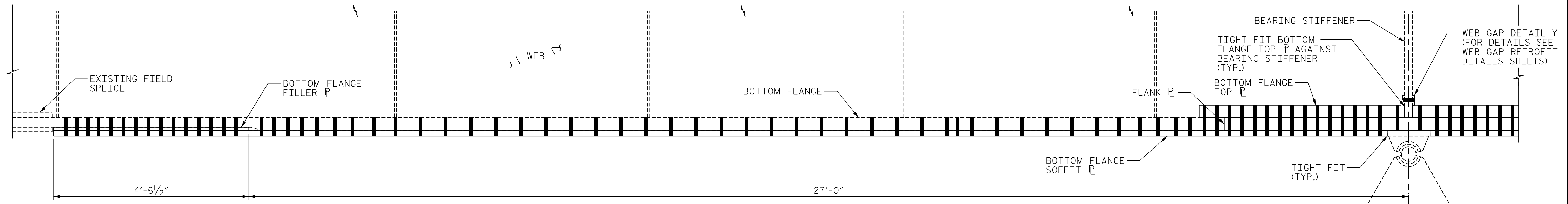


DATE: 2/27/2020
TIME: 3:28:45 PM



BOTTOM FLANGE PLAN VIEW
TYPICAL ALL GIRDERS

* LATERAL BRACING GUSSET PLATE NOT SHOWN FOR CLARITY. HOLES SHALL BE DRILLED IN THE BOTTOM FLANGE AND PLATES SHALL BE INSTALLED WITHOUT REMOVING THE GUSSET PLATE. CONTRACTOR MAY DRILL HOLES FORM BELOW THE FLANGE.



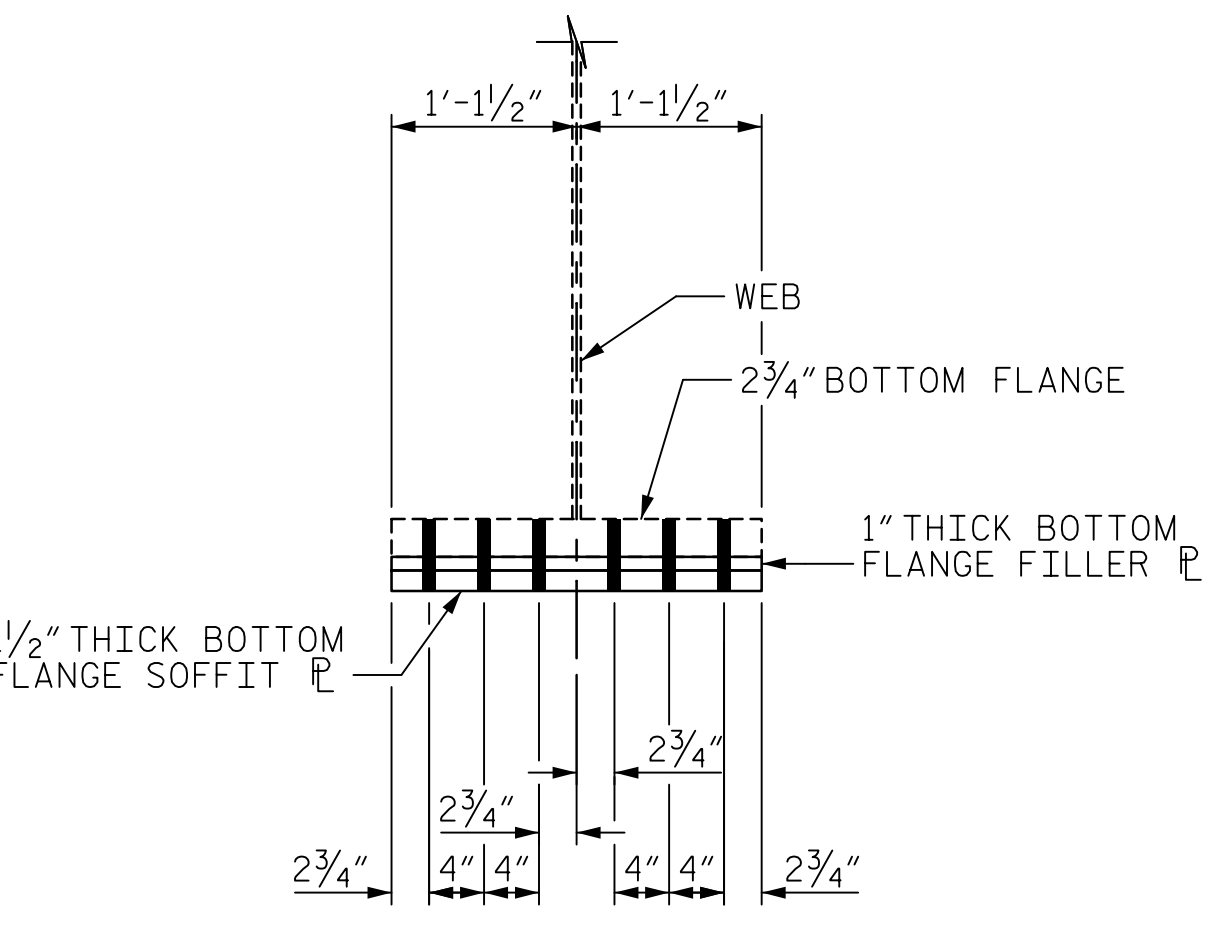
BOTTOM FLANGE ELEVATION VIEW
TYPICAL ALL GIRDERS

NOTES:
PLACE SILICONE SEALANT AT CORNERS AND JOINTS AS DIRECTED BY THE ENGINEER.

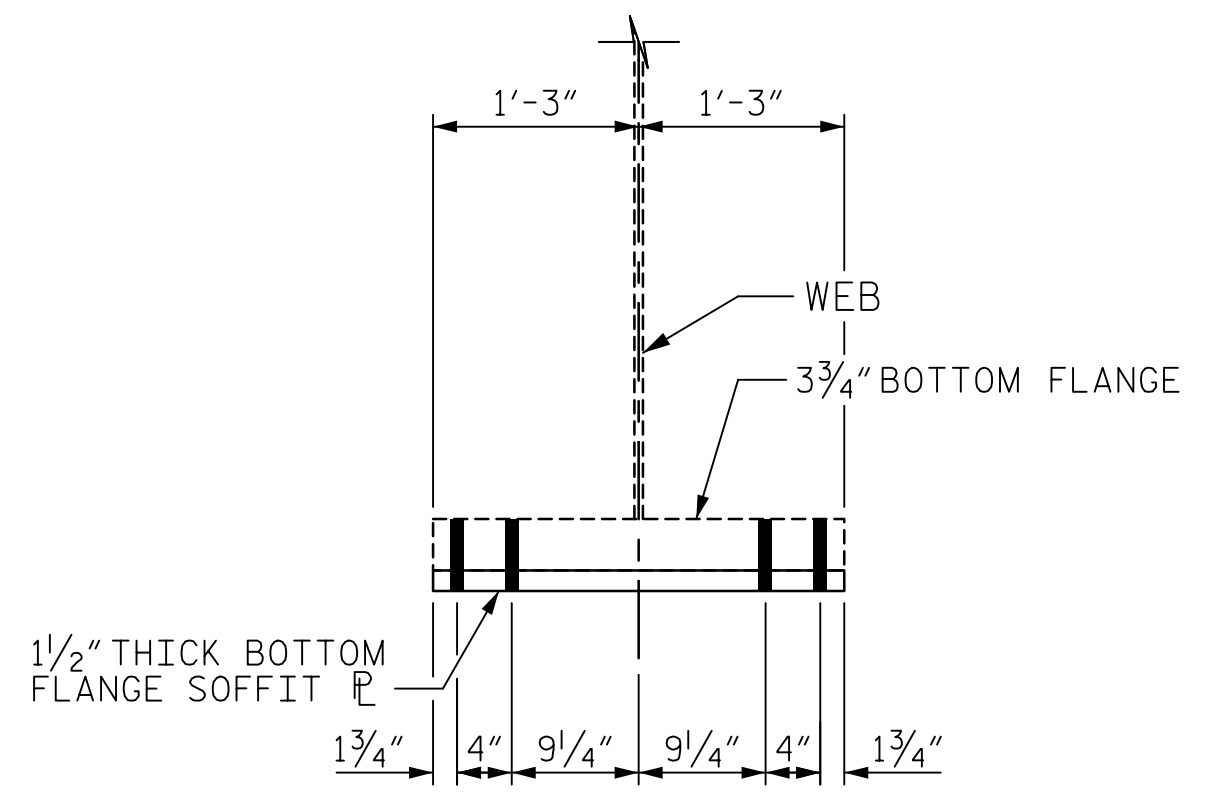
WHEN INSTALLING THE BOTTOM FLANGE TOP PLATES, THE CONTRACTOR MAY ONLY REMOVE A SINGLE 1/2" DIAMETER BEARING ANCHOR BOLT AT A TIME. CONTRACTOR SHALL REINSTALL THE ANCHOR BOLT WITH THE TOP PLATE BEFORE REMOVING ANOTHER BOLT.

PROJECT NO. 15BPR.20
HENDERSON COUNTY
STATION: 35+30.22 -L-

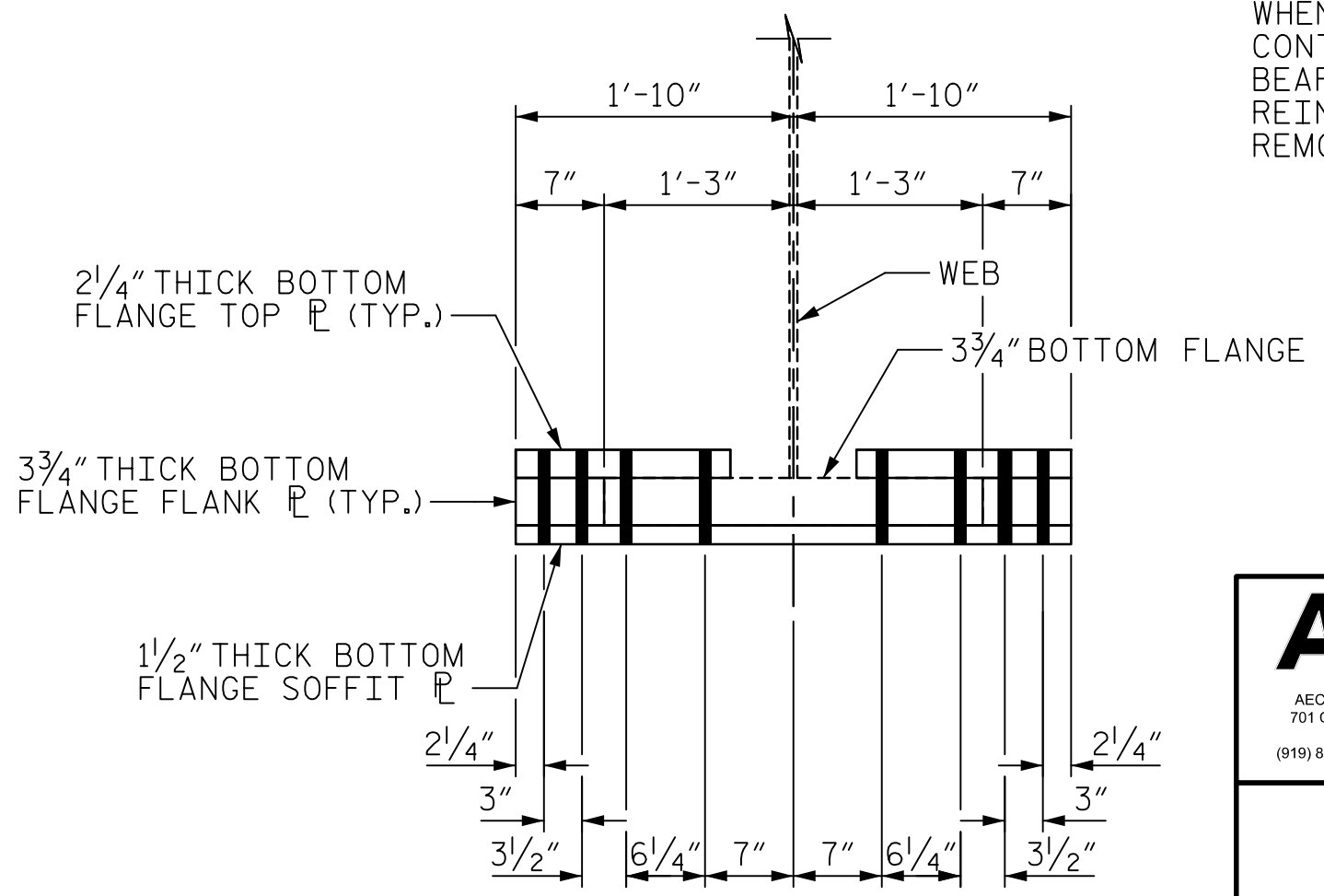
SHEET 2 OF 3



SECTION A-A



SECTION B-B



SECTION C-C



STATE OF NORTH CAROLINA
DEPARTMENT OF TRANSPORTATION
RALEIGH

SUPERSTRUCTURE
BENTS 2 & 3
BOTTOM FLANGE
COVER PLATES

REVISIONS						SHEET NO.
NO.	BY:	DATE:	NO.	BY:	DATE:	S-63
1			3			TOTAL SHEETS
2			4			129

DOCUMENT NOT CONSIDERED FINAL UNLESS ALL SIGNATURES COMPLETED

DRAWN BY : M.K. TOM DATE : 2/2019
CHECKED BY : J.E. SLOAN DATE : 2/2019
DESIGNED BY : N. BROWN/D. TUTTLE DATE : 2/2019
DESIGN CHECKED BY : J. SLOAN/J. LIU DATE : 2/2019

USER: MerchAssessm... Drawings\01_LBS_15BPR20_SMLU_BE3.dgn