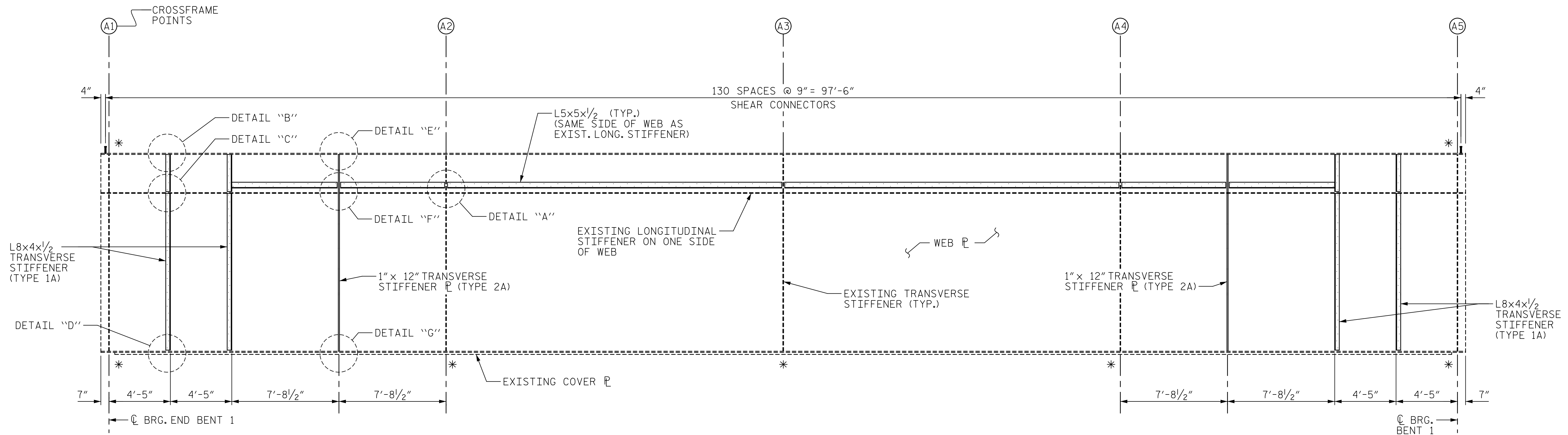


* WEB GAP DETAIL, SEE "WEB GAP RETROFIT DETAILS" SHEETS.

FOR DETAILS "B", "C", AND "D" SHOWING TYPE 1 TRANSVERSE STIFFENERS, SEE TYPE 1 TRANSVERSE STIFFENER SHEET.

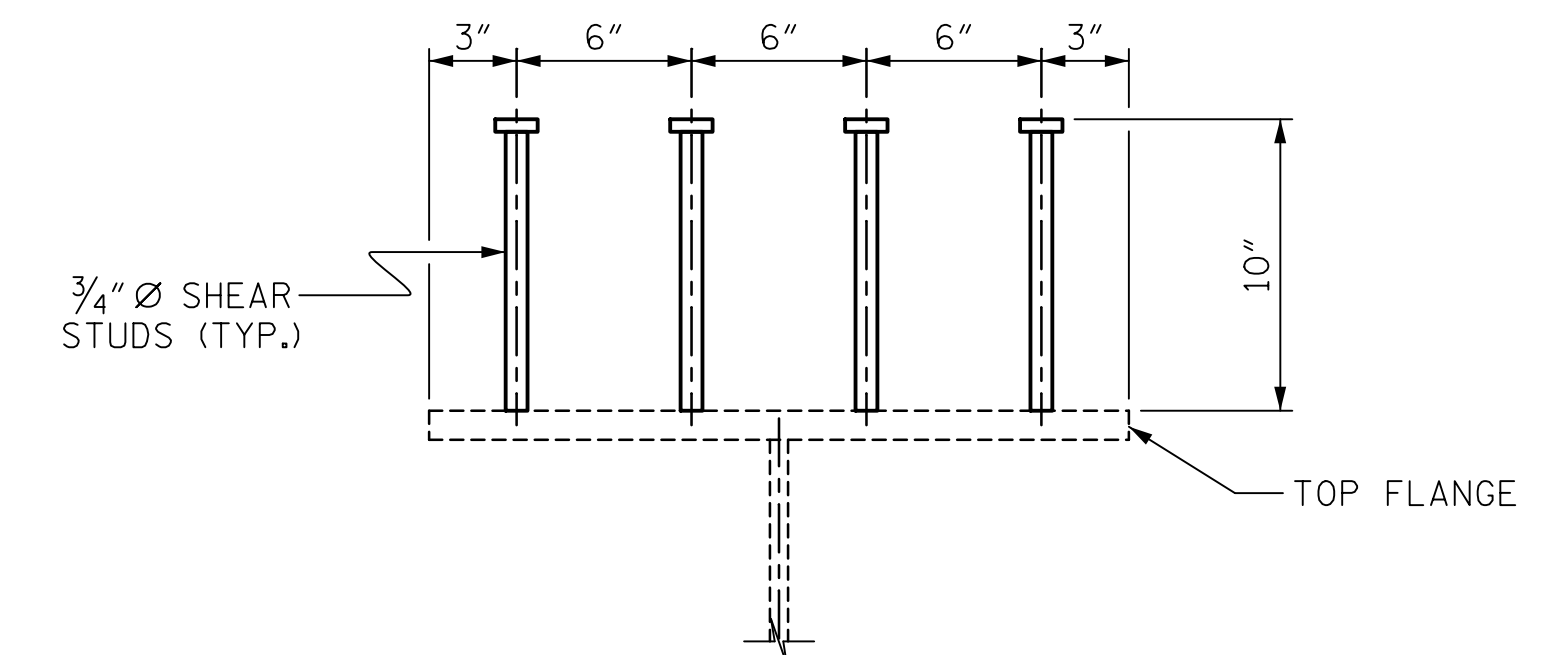
FOR DETAILS "E", "F", AND "G" SHOWING TYPE 2 TRANSVERSE STIFFENERS, SEE TYPE 2 TRANSVERSE STIFFENERS SHEETS.

DATE: 2/27/2020
TIME: 3:26:50 PM

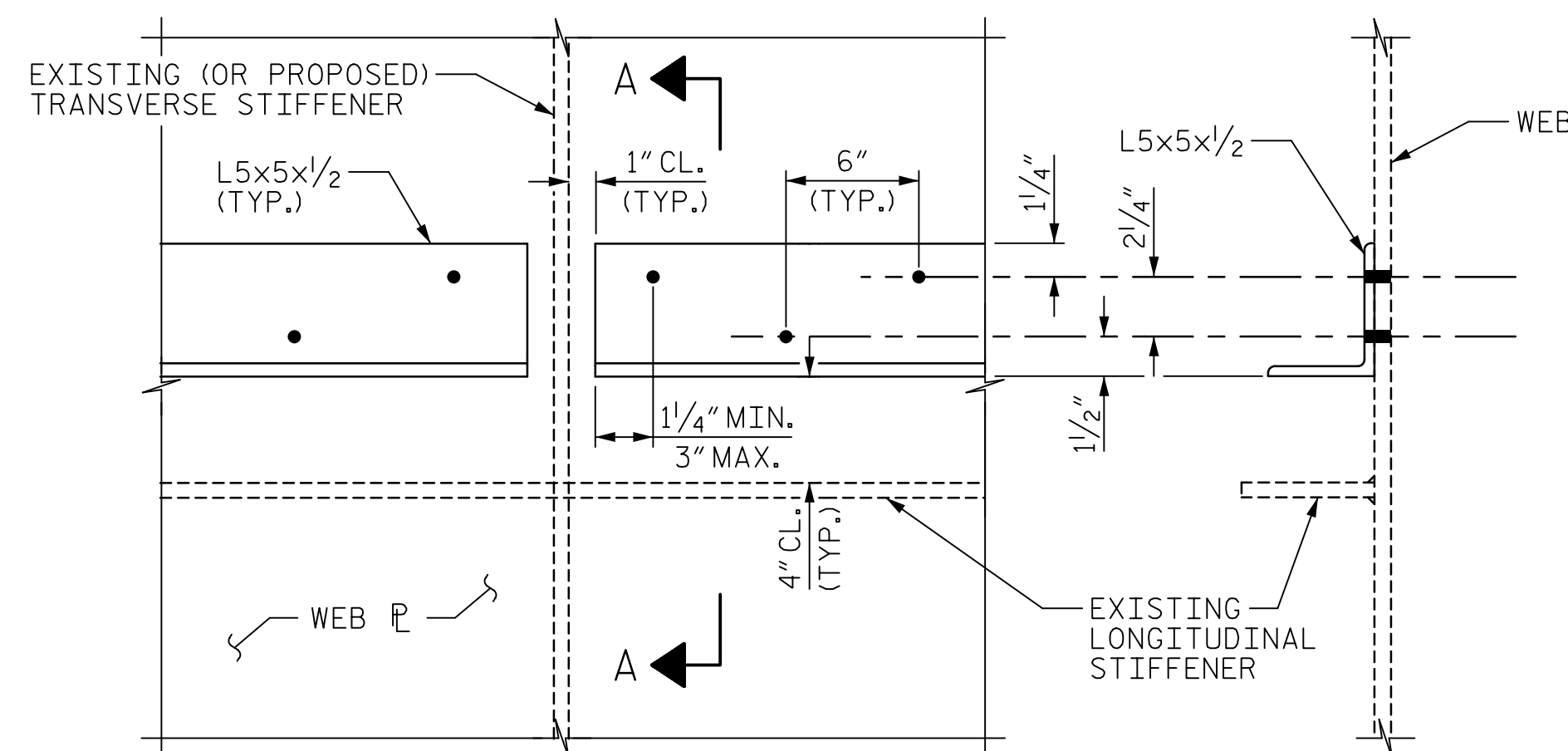


SPAN A

GIRDERS 2 & 4 NORTH FACE SHOWN.
GIRDERS 1 & 3 SOUTH FACE SIMILAR (MIRRORED).



SHEAR CONNECTOR DETAIL

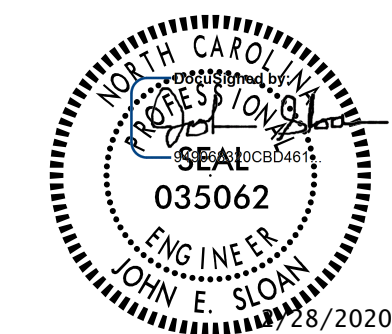


DETAIL A

SECTION A-A

PROJECT NO. 15BPR.20
HENDERSON COUNTY
STATION: 35+30.22 -L-

SHEET 1 OF 11



STATE OF NORTH CAROLINA
DEPARTMENT OF TRANSPORTATION
RALEIGH

SUPERSTRUCTURE

SPAN A
GIRDER ELEVATION

REVISIONS

NO.	BY:	DATE:	NO.	BY:	DATE:
1			3		
2			4		

SHEET NO.
S-51
TOTAL SHEETS
129

DOCUMENT NOT CONSIDERED
FINAL UNLESS ALL
SIGNATURES COMPLETED

DRAWN BY : M.K. TOM DATE : 1/2019
CHECKED BY : J.E. SLOAN DATE : 2/2019
DESIGNED BY : D. RITACCO DATE : 2/2019
DESIGN CHECKED BY : J.E. SLOAN DATE : 2/2019

USER: MchRessmond
DGN: R:\Structures\04 Drawings\01\15BPR.20_SML_GE.dgn