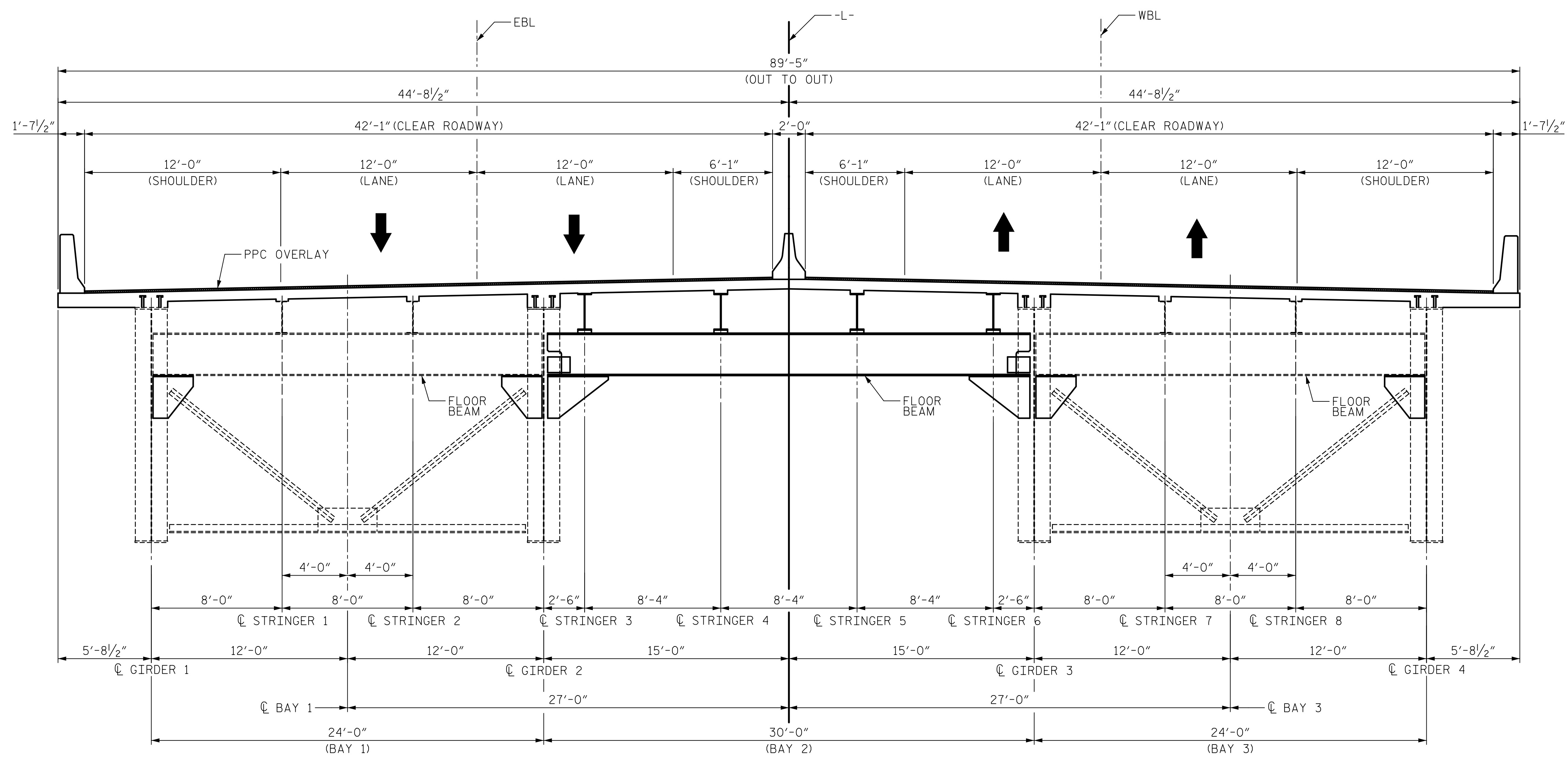


DATE: 2/27/2020
TIME: 3:05:53 PM



FINAL STAGE CONSTRUCTION

- 20. REMOVE ANCHORED TEMPORARY BARRIERS AT STRINGER 3 AND GIRDER 3.
- 21. INSTALL PERMANENT MEDIAN BARRIER AND PPC OVERLAY.
- 22. SHIFT LANES TO FINAL CONFIGURATION.

PROJECT NO. 15BPR.20
HENDERSON COUNTY
 STATION: 35+30.22 -L-

SHEET 12 OF 12

LEGEND

-----	EXISTING
—————	PROPOSED
▨▨▨▨	DEMOLITION

DRAWN BY : H.T. ROSEMOND	DATE : 11/2018
CHECKED BY : J.E. SLOAN	DATE : 11/2018
DESIGNED BY : N. BROWN/ D. TUTTLE	DATE : 11/2018
DESIGN CHECKED BY : J. SLOAN/J. LIU	DATE : 11/2018



STATE OF NORTH CAROLINA
 DEPARTMENT OF TRANSPORTATION
 RALEIGH

SUPERSTRUCTURE
 DEMOLITION
 & CONSTRUCTION
 SEQUENCE
 FINAL STAGE

DOCUMENT NOT CONSIDERED
 FINAL UNLESS ALL
 SIGNATURES COMPLETED

REVISIONS						SHEET NO.
NO.	BY:	DATE:	NO.	BY:	DATE:	S-22
1			3			TOTAL SHEETS
2			4			129

USER: Arch Rosemond
 DGN: R:\Structures\04 Drawings\01_043_15BPR.20_SMU_LDCS12.dgn