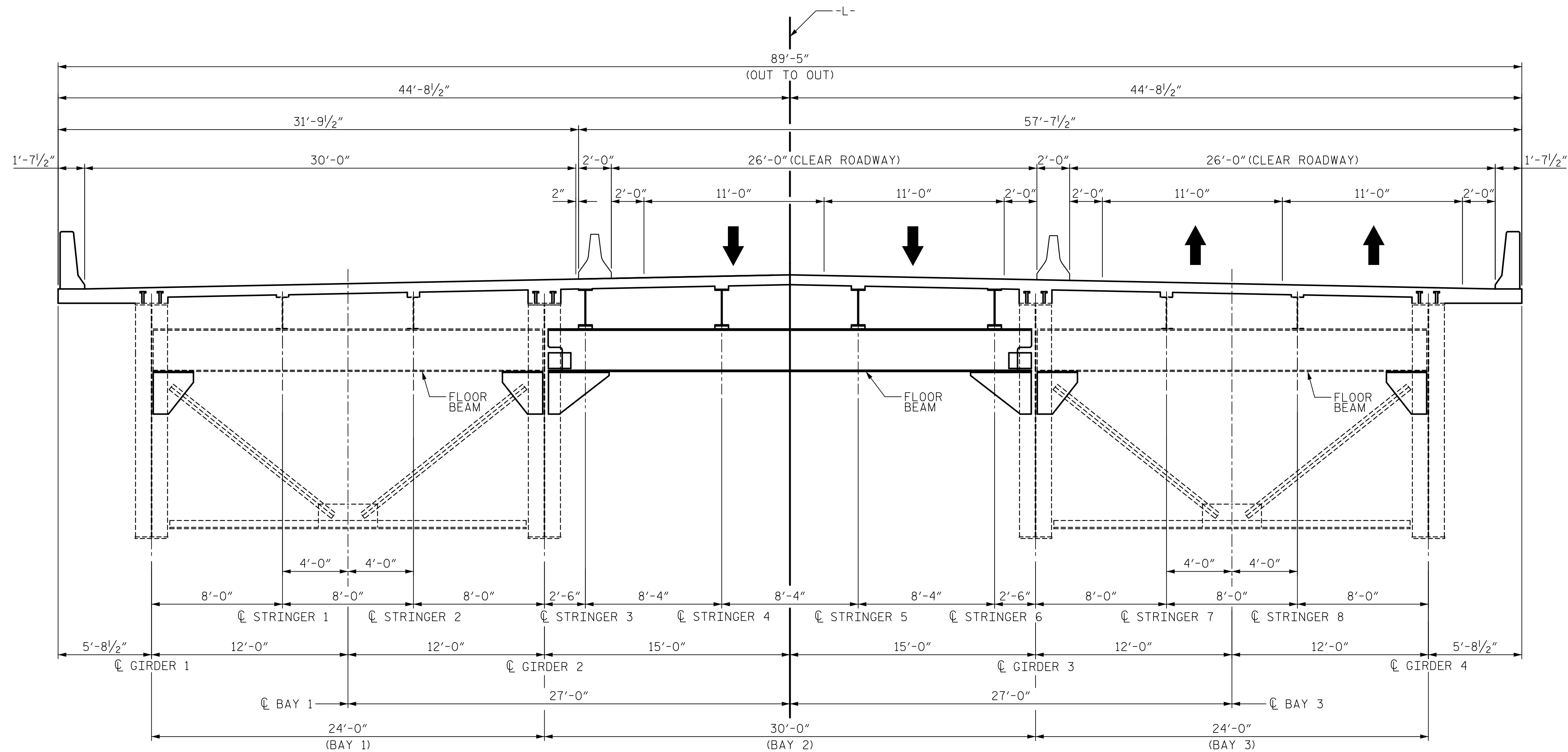


DATE: 2/27/2020
TIME: 3:06:45 PM



STAGE III C CONSTRUCTION

18. POUR CONCRETE DECK IN BAY 1.
19. INSTALL PERMANENT BARRIER AT GIRDER 1 OVERHANG.

PROJECT NO. 15BPR.20
HENDERSON COUNTY
 STATION: 35+30.22 -L-

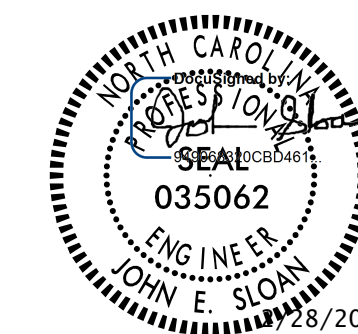
SHEET 11 OF 12

LEGEND

- EXISTING
- PROPOSED
- ▨ DEMOLITION

DRAWN BY : H.T. ROSEMOND DATE : 11/2018
 CHECKED BY : J.E. SLOAN DATE : 11/2018
 DESIGNED BY : N. BROWN/D. TUTTLE DATE : 11/2018
 DESIGN CHECKED BY : J. SLOAN/J. LIU DATE : 11/2018

DOCUMENT NOT CONSIDERED
 FINAL UNLESS ALL
 SIGNATURES COMPLETED



STATE OF NORTH CAROLINA
 DEPARTMENT OF TRANSPORTATION
 RALEIGH

SUPERSTRUCTURE
 DEMOLITION
 & CONSTRUCTION
 SEQUENCE
 STAGE III C

REVISIONS						SHEET NO.
NO.	BY:	DATE:	NO.	BY:	DATE:	S-21
1			3			TOTAL SHEETS
2			4			129