

I:\10\2020\USRAL3\Fp001.na.aecomnet.com\Data\Projects\60587\70-I-26-GreenRiver_T02\900_CAD_GIS\910_CAD\70_NCDOT_TIP\Structures\04 Drawings\401_001_15BPR.20_SMU_TSH.dgn
 11/10/2020 11:00 AM
 stumpt

PROJECT: 15BPR.20

CONTRACT: C204202

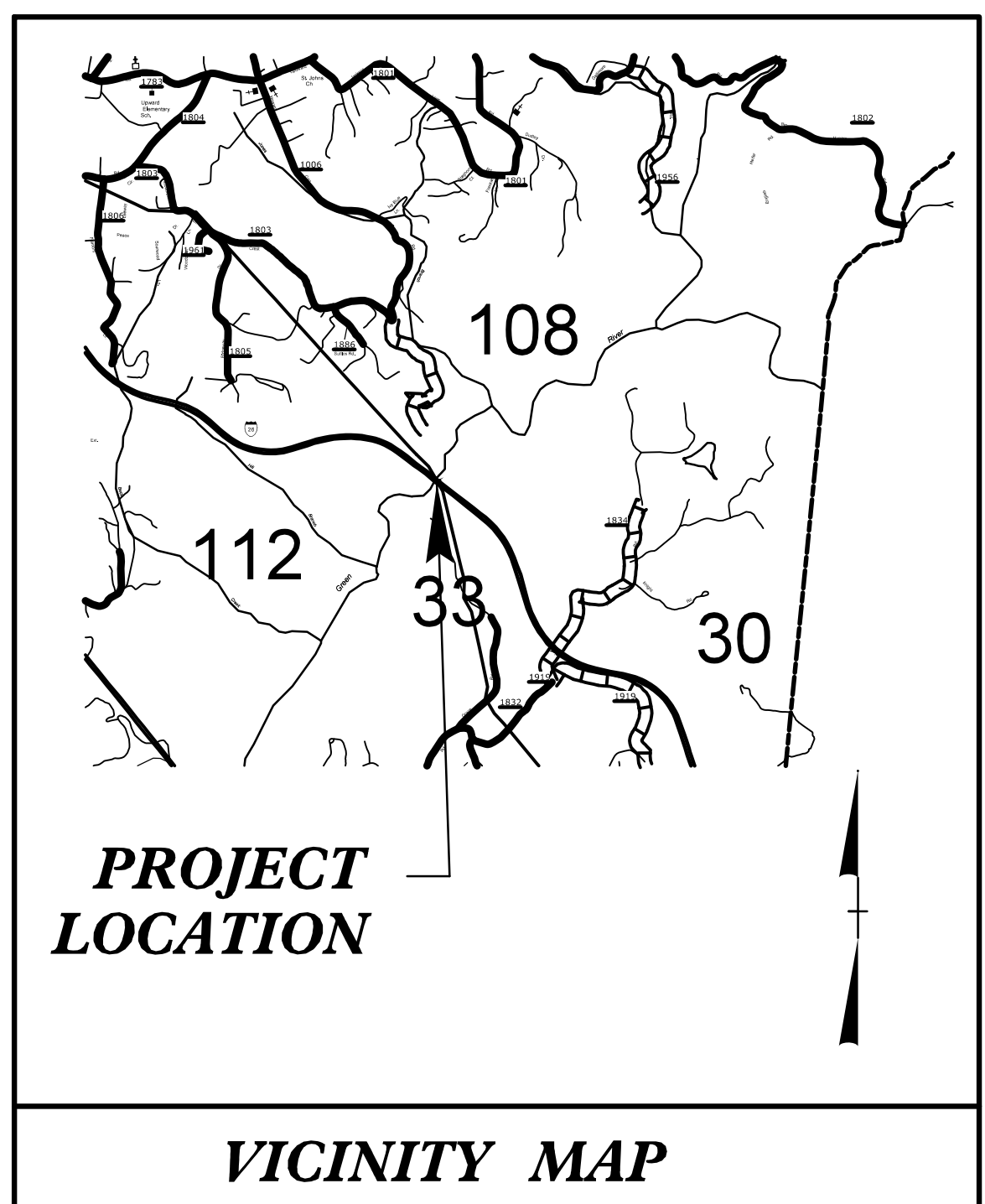
STATE OF NORTH CAROLINA
DIVISION OF HIGHWAYS

HENDERSON COUNTY

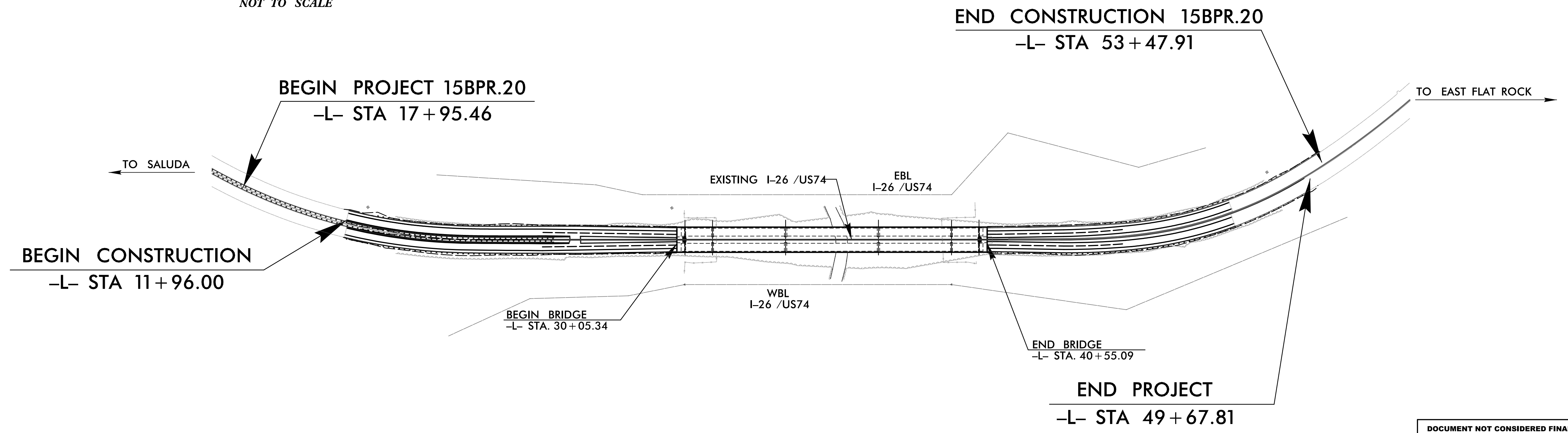
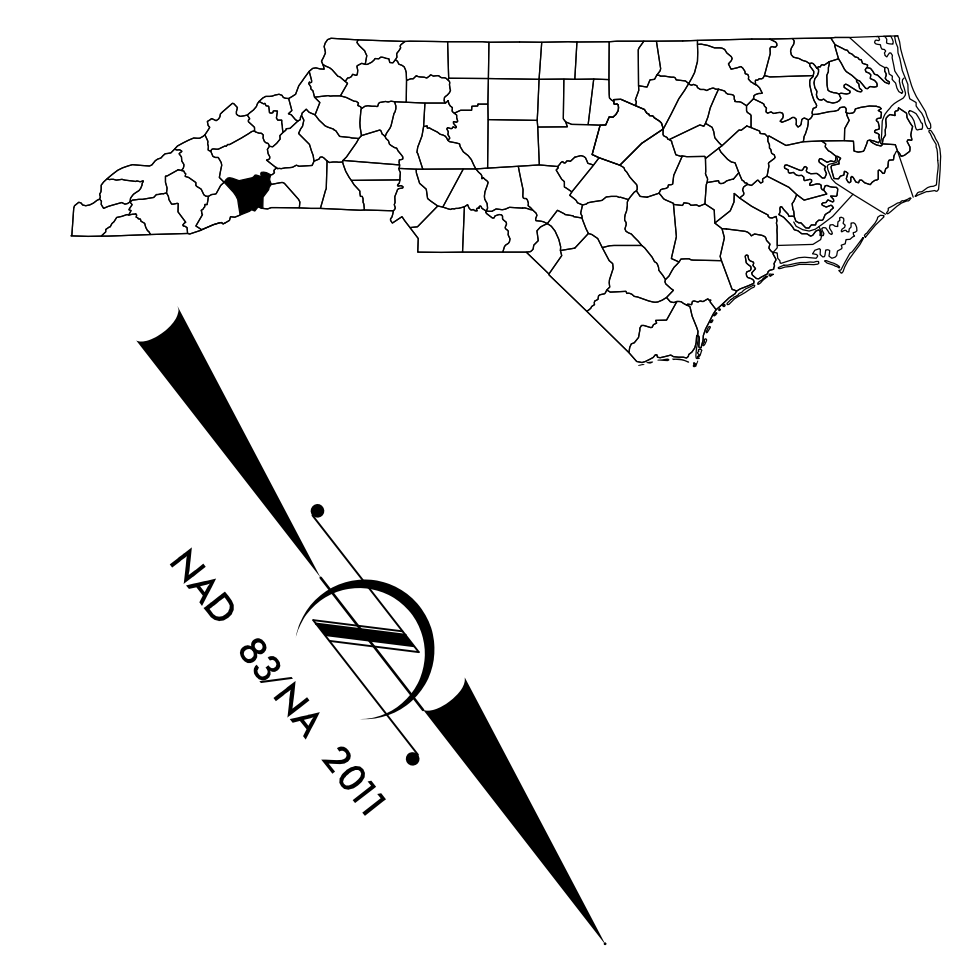
LOCATION: I-26/US74 OVER GREEN RIVER BETWEEN US25 AND SR1142

TYPE OF WORK: GRADING, DRAINAGE, PAVING, WIDENING AND REHABILITATION OF BRIDGE NOS. 440108 AND 440112

STATE	STATE PROJECT REFERENCE NO.	SHEET NO.	TOTAL SHEETS
N.C.	15BPR.20	1	129
STATE PROJ. NO.	F.A. PROJ. NO.	DESCRIPTION	
15BPR.20	-	P.E.	
15BPR.20	-	CONST.	



NOT TO SCALE



DOCUMENT NOT CONSIDERED FINAL
UNLESS ALL SIGNATURES COMPLETED

DESIGN DATA

ADT 2016 =	39,000
ADT 2038 =	N/A
K =	N/A %
D =	N/A %
T =	N/A %
V =	60 MPH
* TTST N/A	DUAL N/A
FUNC CLASS =	FREWAY
STATEWIDE TIER	

PROJECT LENGTH

LENGTH ROADWAY PROJECT 15BPR.20 =	0.534 MILES
LENGTH STRUCTURE PROJECT 15BPR.20 =	0.209 MILES
TOTAL LENGTH PROJECT 15BPR.20 =	0.743 MILES

Prepared in the Office of:

AECOM
 NC FIRM LICENSE No: F-0342
 701 Corporate Center Drive, Suite 475
 Raleigh, NC 27601
 (919) 854-6200 (919) 854-6259(FAX)

2018 STANDARD SPECIFICATIONS

RIGHT OF WAY DATE: N/A

LETTING DATE: MARCH 16, 2021

JOHN SLOAN, PE PROJECT MANAGER
NEIL DEAN, PE PROJECT DESIGN ENGINEER
KEVIN FISCHER, PE NCDOT CONTACT

STRUCTURE DESIGN ENGINEER

Seal of John E. Sloan, PE, License No. 35062, dated 11/10/2020.

JOHN SLOAN P.E.
SIGNATURE:

