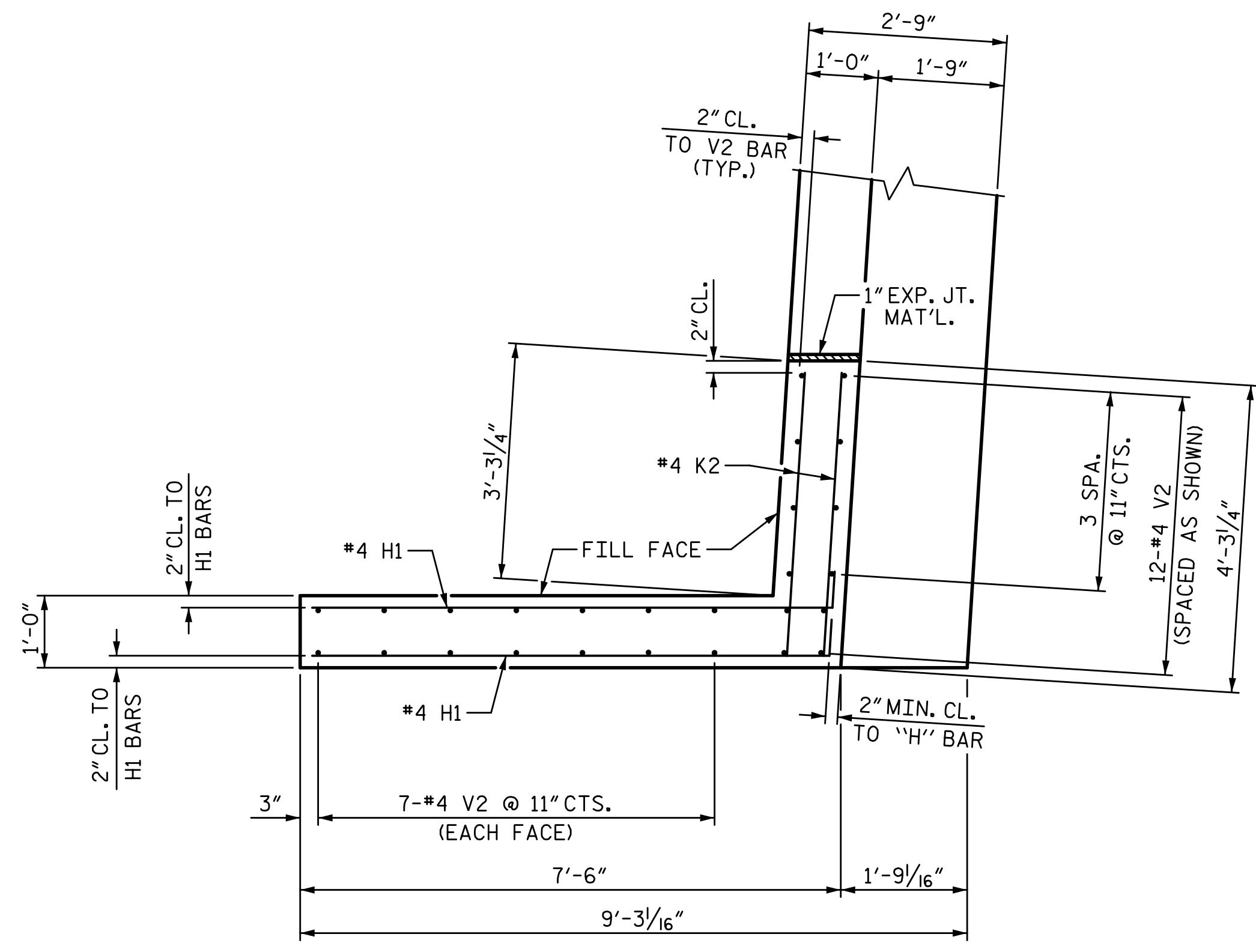
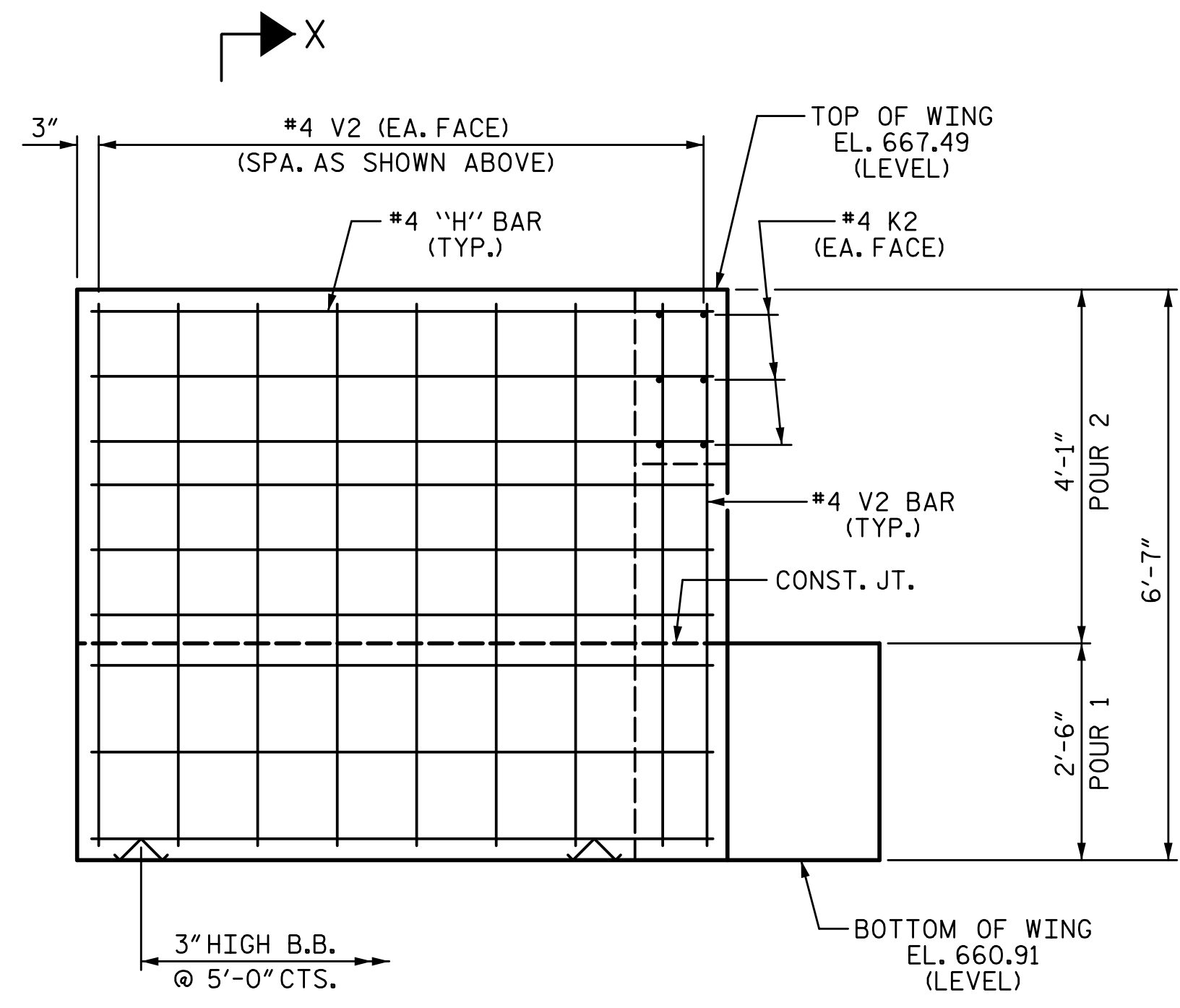


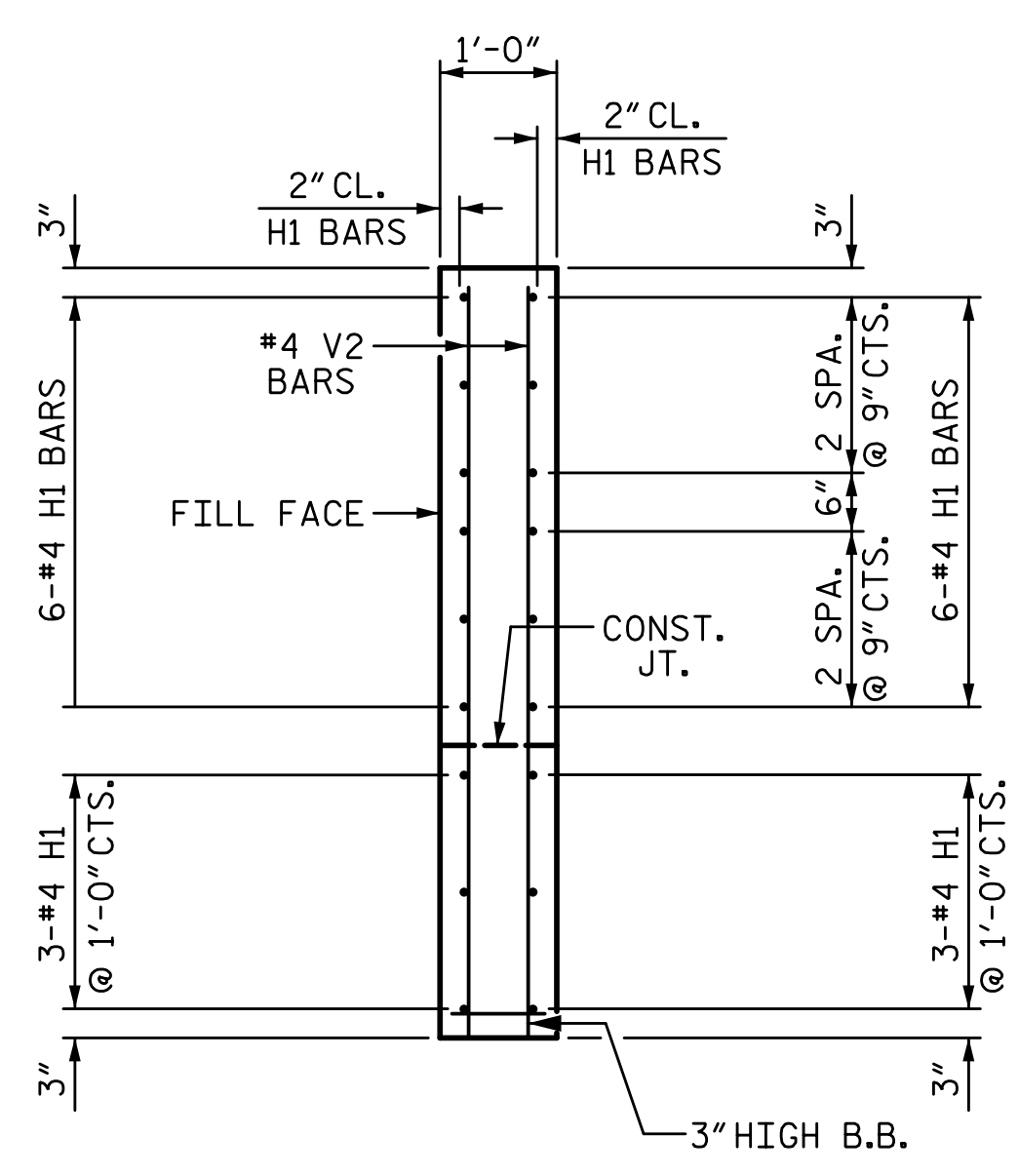
1/14/2020 10:06:30 AM G:\Projects\2017\I-5711\Structures\Drawings\Final\401_15711_SMJ_EB2_LT_000177.dgn



PLAN OF WING (W1)



ELEVATION OF WING (W1)



SECTION X-X

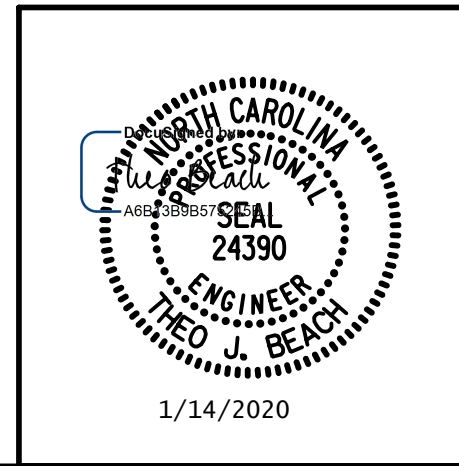
PROJECT NO. I-5711
ALAMANCE COUNTY
STATION: STA. 27+02.26 -L-

SHEET 2 OF 3

STATE OF NORTH CAROLINA
DEPARTMENT OF TRANSPORTATION
RALEIGH
SUBSTRUCTURE

END BENT 2
LEFT WIDENING

PLANS PREPARED BY:
S&E SIMPSON ENGINEERS ASSOCIATES
5640 Dillard Drive
Suite 200
Cary, NC 27518
(919) 852-0468
(919) 852-0598 (Fax)
www.simpsonengr.com
LICENSURE NO. C-2521



REVISIONS						SHEET NO.
NO.	BY:	DATE:	NO.	BY:	DATE:	S-61
1			3			TOTAL SHEETS
2			4			89

**DOCUMENT NOT CONSIDERED FINAL
UNLESS ALL SIGNATURES COMPLETED**

DRAWN BY: <u>S.D. COOPER</u>	DATE: <u>1-20</u>
CHECKED BY: <u>T. BEACH</u>	DATE: <u>1-20</u>
DESIGN ENGINEER OF RECORD: <u>T. BEACH</u>	DATE: <u>1-20</u>