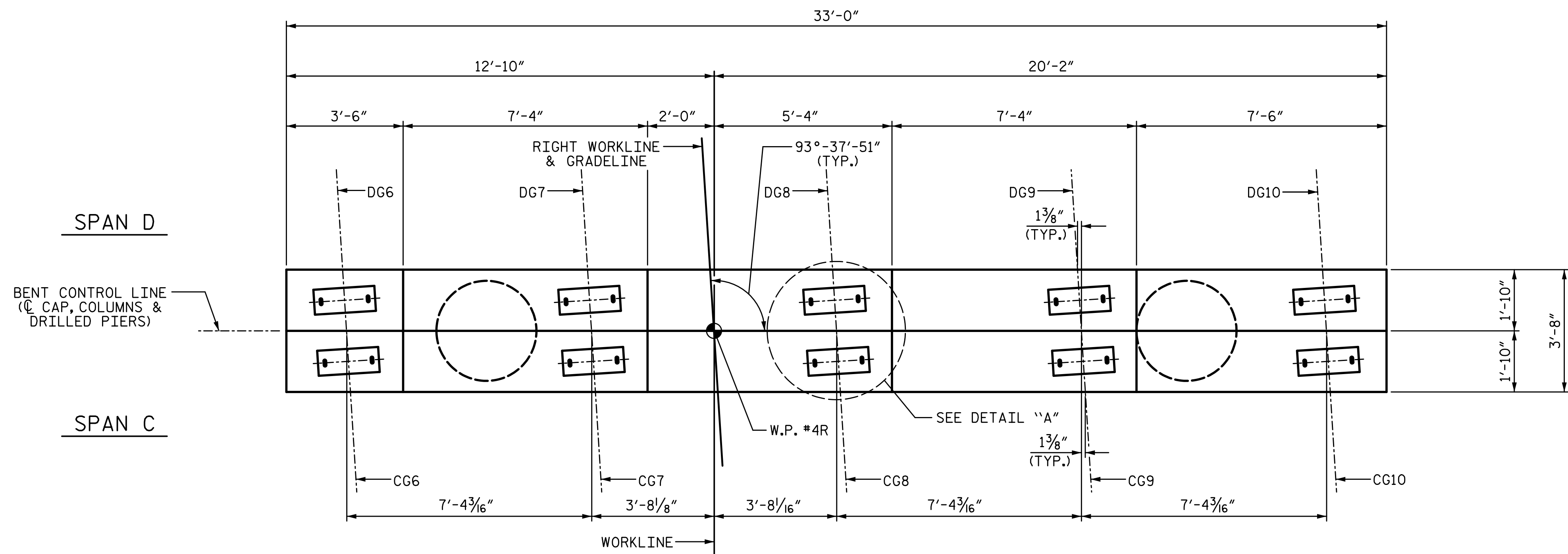


1/14/2020 10:06:29 AM G:\Projects\2017\I-5711\Structures\Drawings\Final\4015711_SMJ_B3_RT_000177.dgn



NOTES:

STIRRUPS AND "U" BARS IN CAP MAY BE SHIFTED AS NECESSARY TO CLEAR ANCHOR BOLTS.

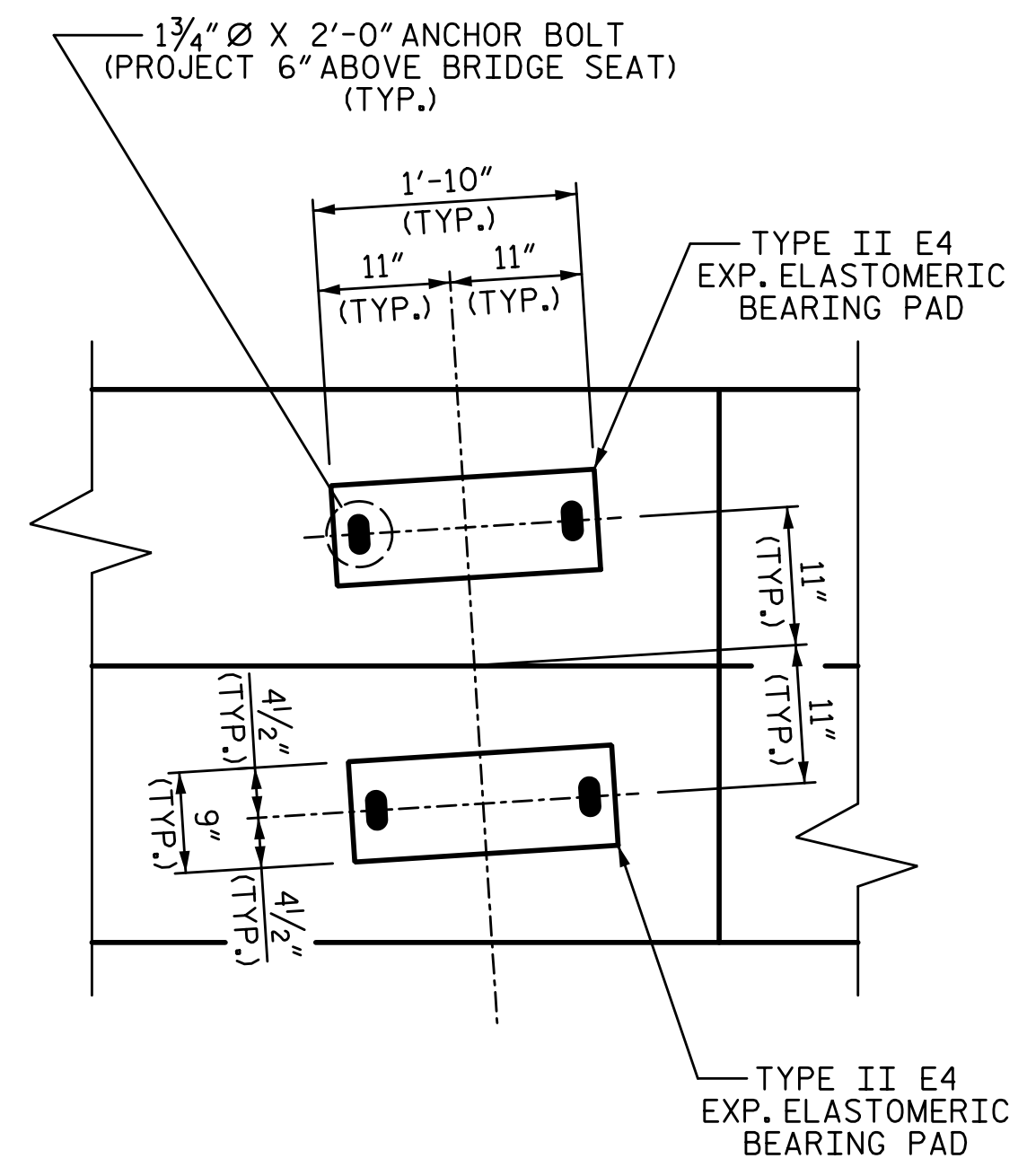
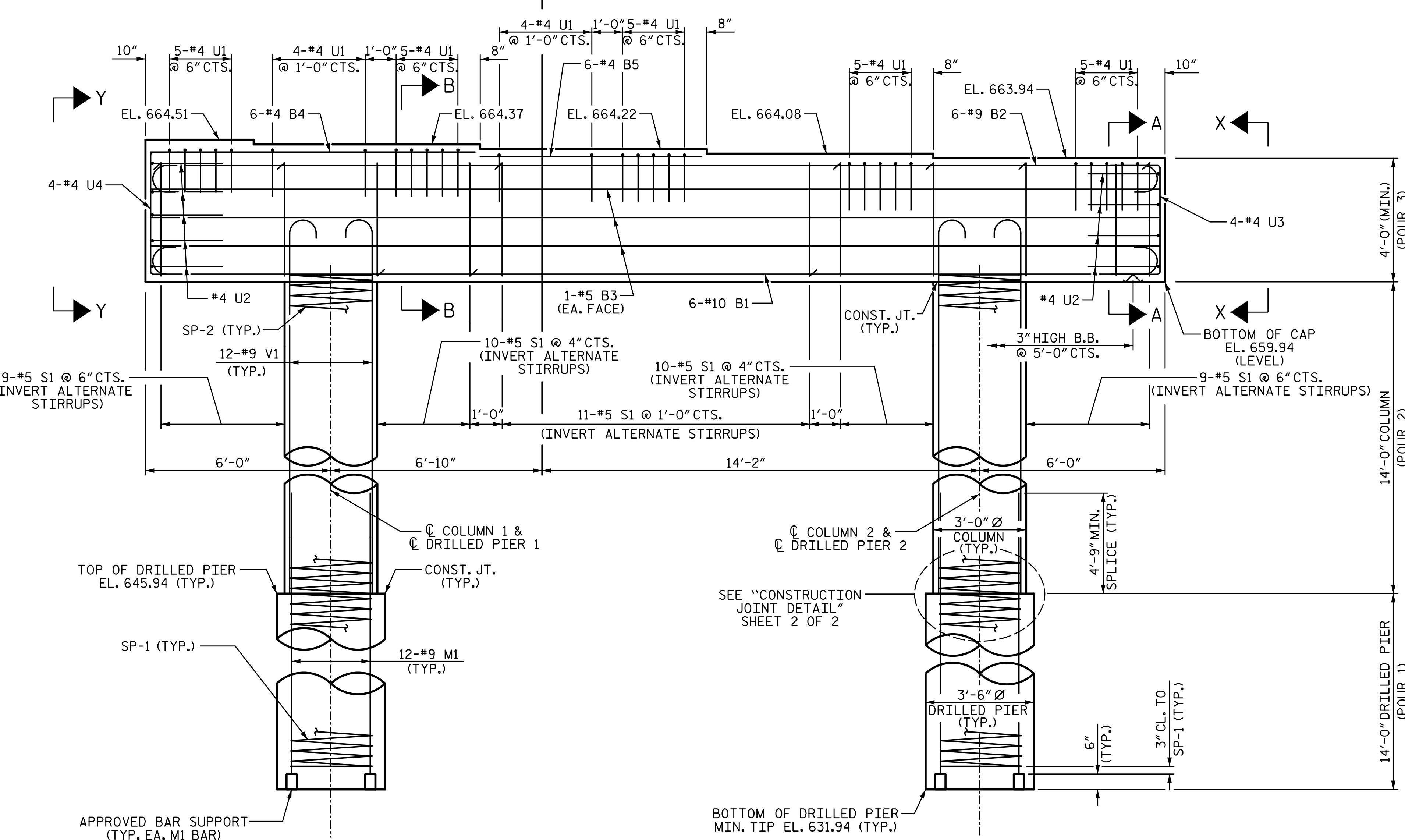
HOOKS ON "V" BARS MAY BE TURNED AS NECESSARY FOR PLACING REINFORCING STEEL.

THE TOP SURFACES AREAS OF THE BENT CAPS SHALL BE CURED IN ACCORDANCE WITH THE STANDARD SPECIFICATIONS EXCEPT THE MEMBRANE CURING COMPOUND METHOD SHALL NOT BE USED.

ALL STEEL IN THE DRILLED PIERS IS INCLUDED IN THE PAY ITEMS FOR "REINFORCING STEEL" AND "SPIRAL COLUMN REINFORCING STEEL."

THE CONTRACTOR'S ATTENTION IS CALLED TO THE FACT THAT THE LONGITUDINAL REINFORCEMENT FOR THE DRILLED PIERS IS DETAILED WITH 3 FEET OF EXTRA LENGTH.

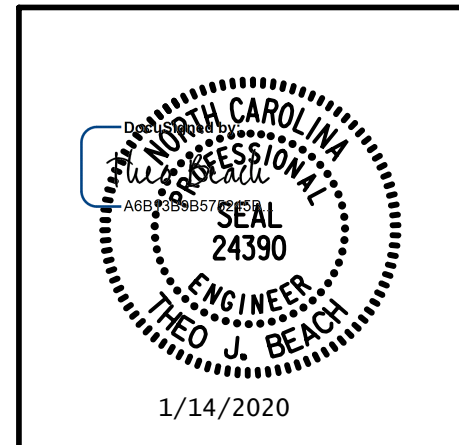
THE LOCATION OF THE CONSTRUCTION JOINT IN THE DRILLED PIERS IS BASED ON THE APPROXIMATE PAVED SHOULDER ELEVATION. THE TOP OF DRILLED PIER SHALL BE ADJUSTED AS REQUIRED TO MAINTAIN THE DRILLED PIER 1 FOOT BELOW THE PAVED SHOULDER ELEVATION.



PROJECT NO. I-5711
ALAMANCE COUNTY
 STATION: STA. 27+02.26 -L-

SHEET 1 OF 2

PLANS PREPARED BY:
S&A
 SIMPSON ENGINEERS & ASSOCIATES
 5640 Dillard Drive
 Suite 200
 Cary, NC 27518
 (919) 852-0468
 (919) 852-0598 (Fax)
 www.simpsonengr.com
 LICENSURE NO. C-2521



STATE OF NORTH CAROLINA
 DEPARTMENT OF TRANSPORTATION
 RALEIGH
 SUBSTRUCTURE

BENT 3

RIGHT WIDENING

REVISIONS						SHEET NO.
NO.	BY:	DATE:	NO.	BY:	DATE:	S-58
1			3			TOTAL SHEETS
2			4			89

DOCUMENT NOT CONSIDERED FINAL UNLESS ALL SIGNATURES COMPLETED