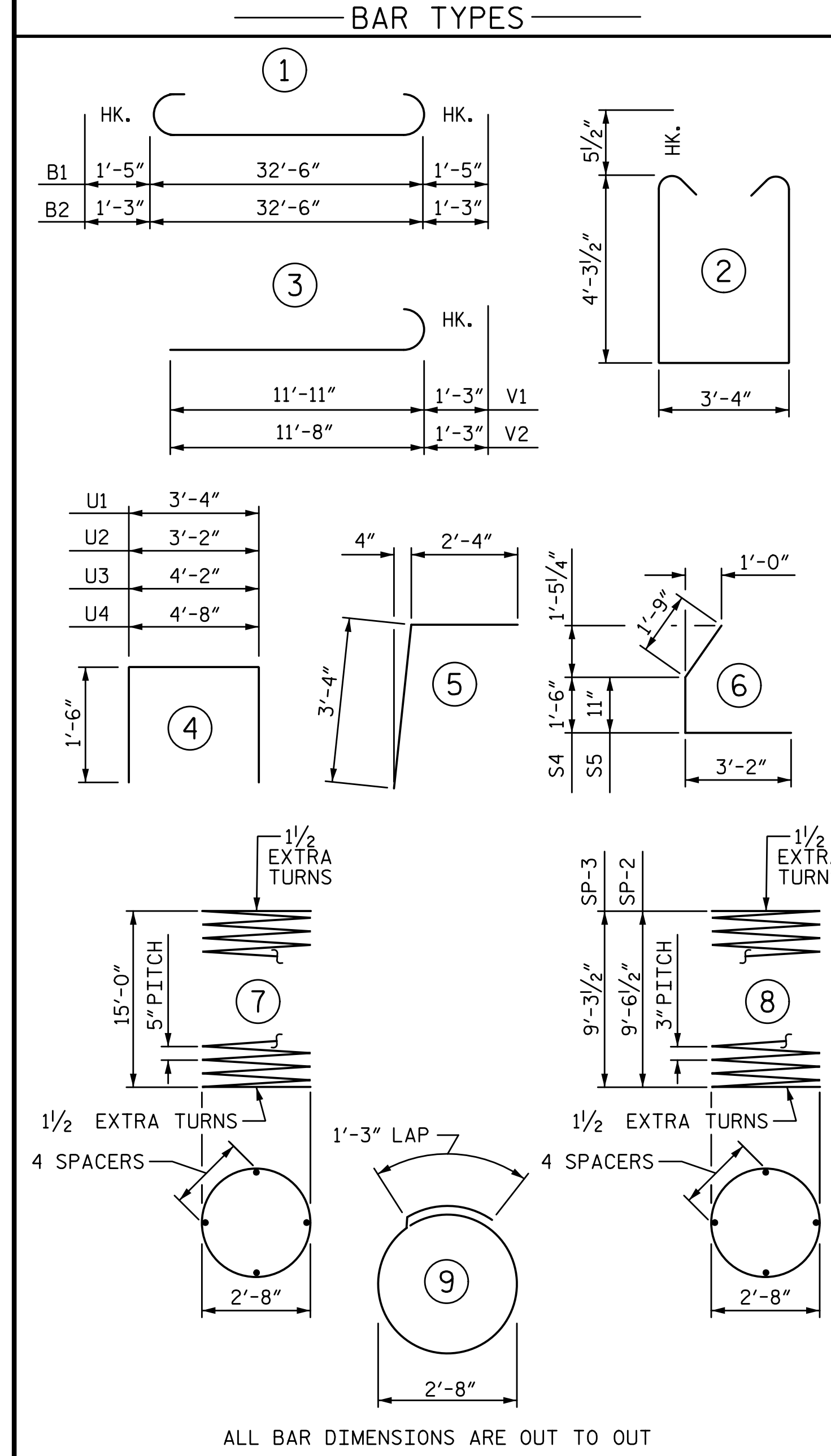
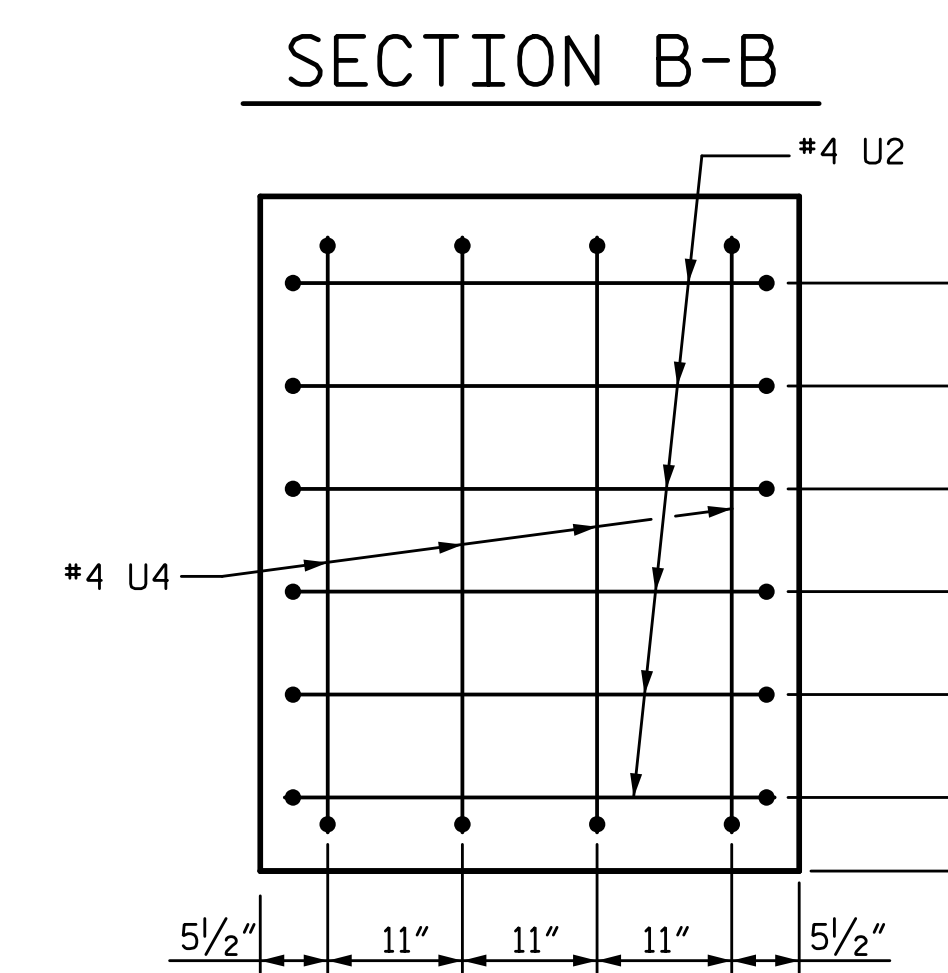
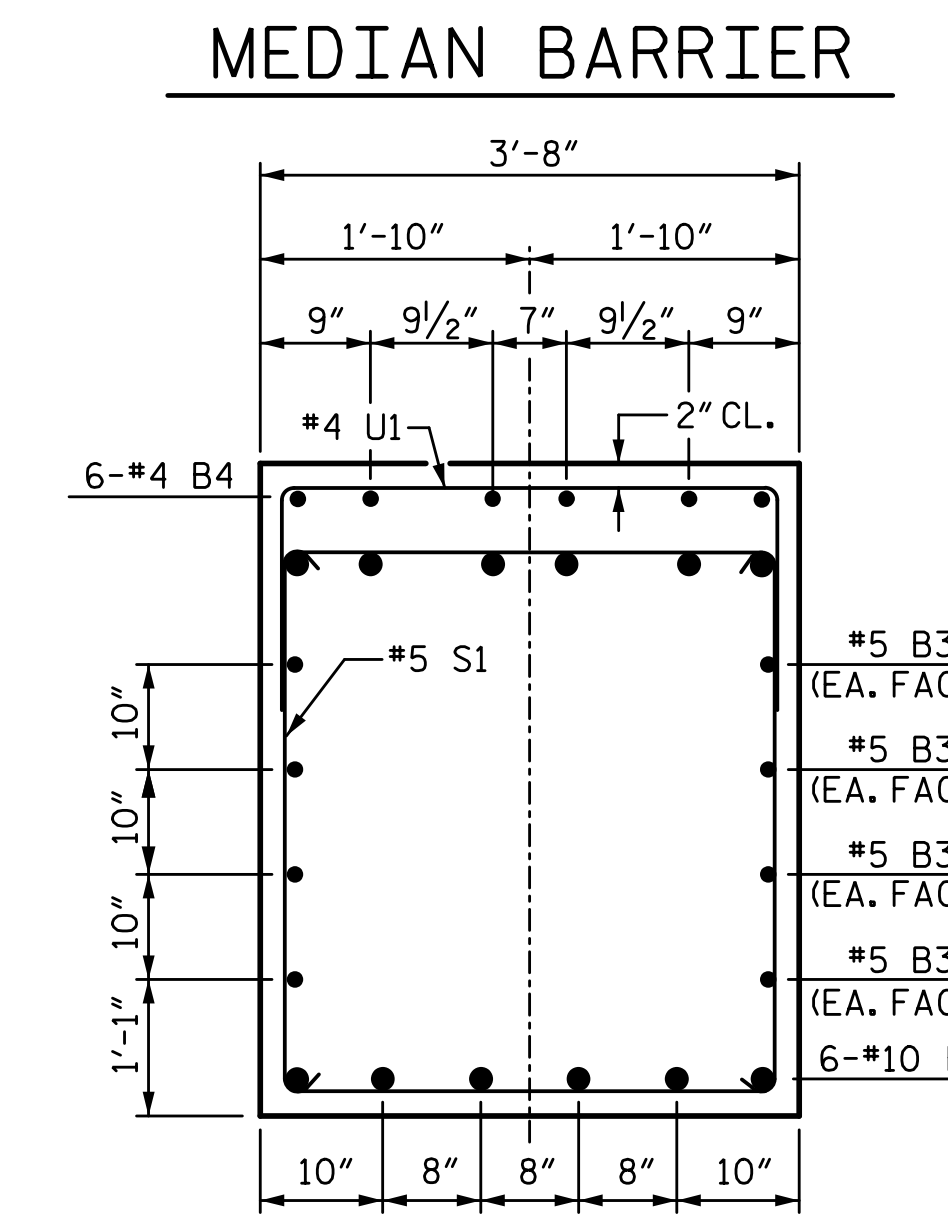
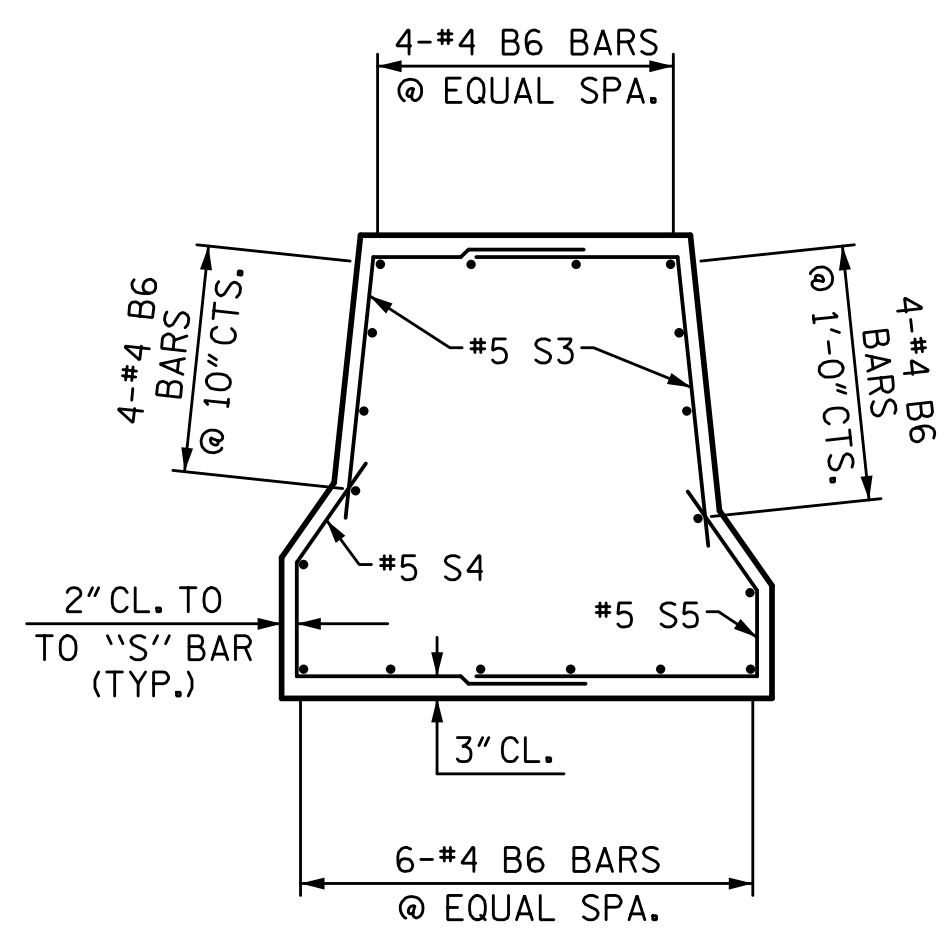
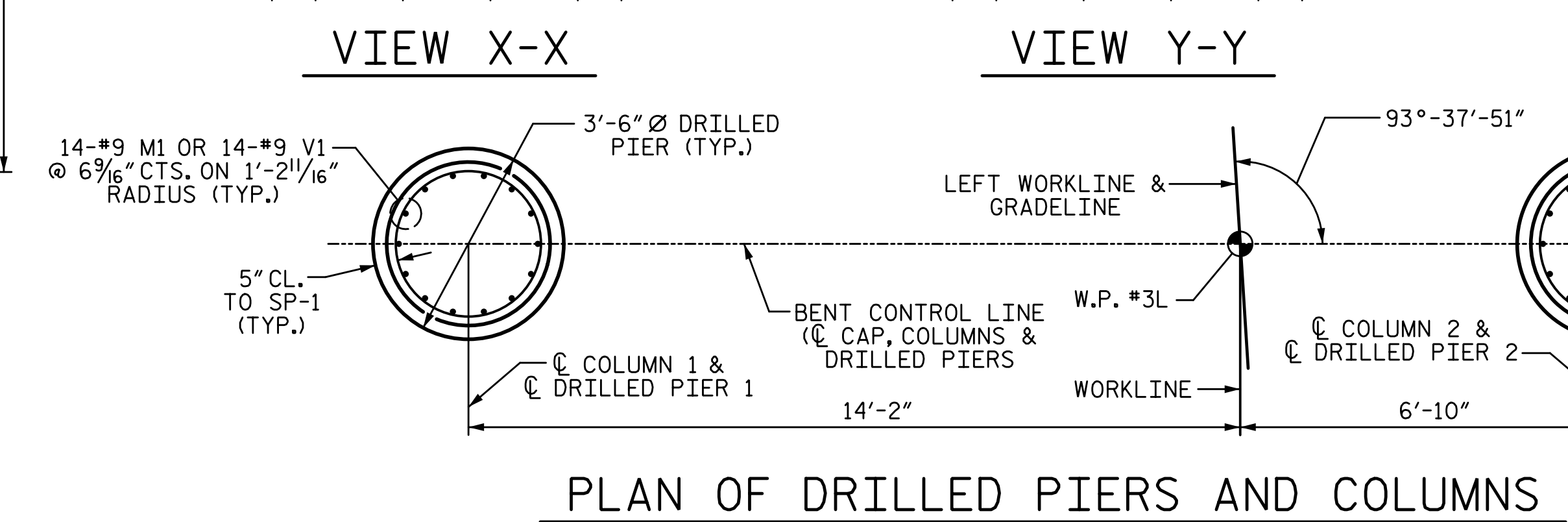
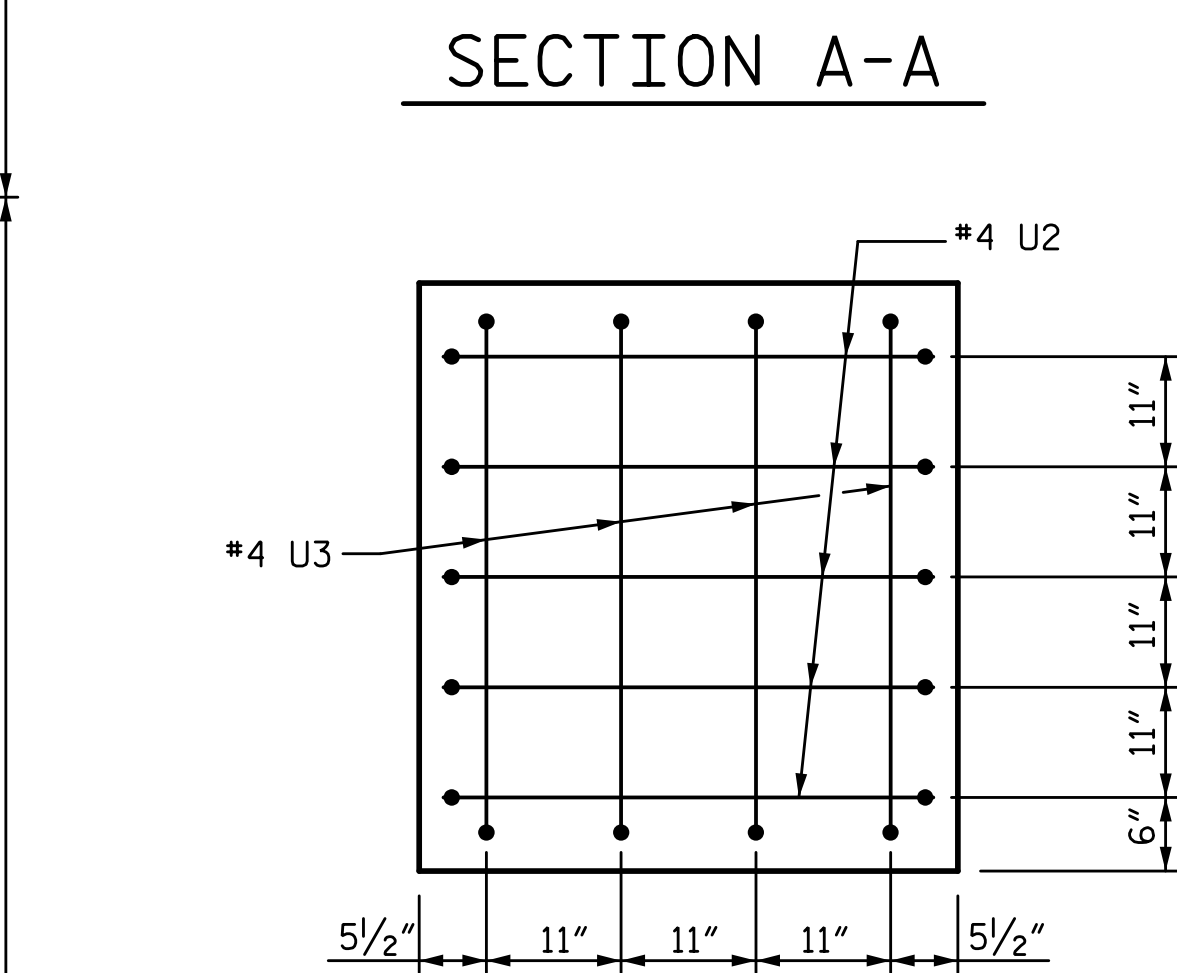
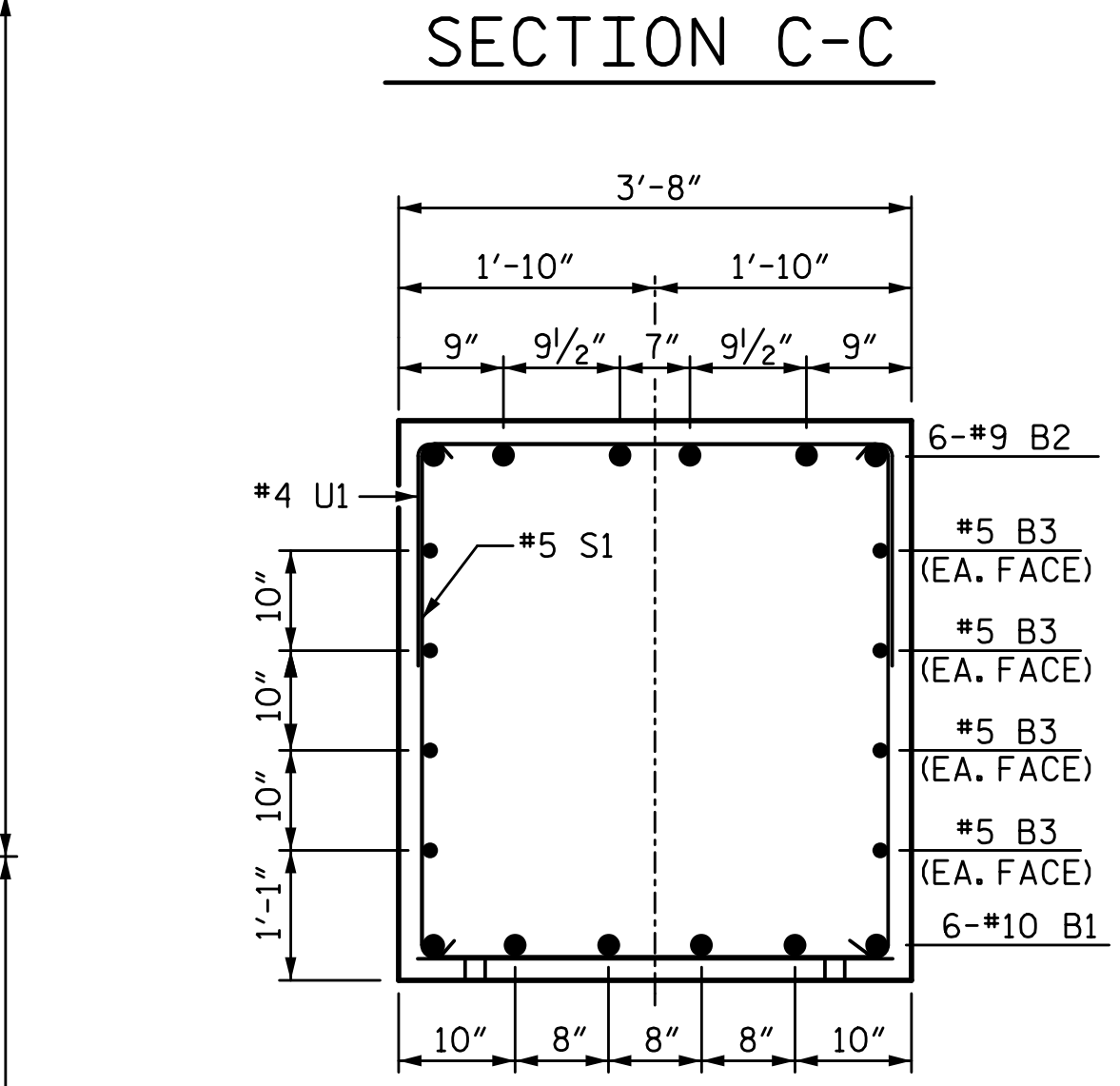
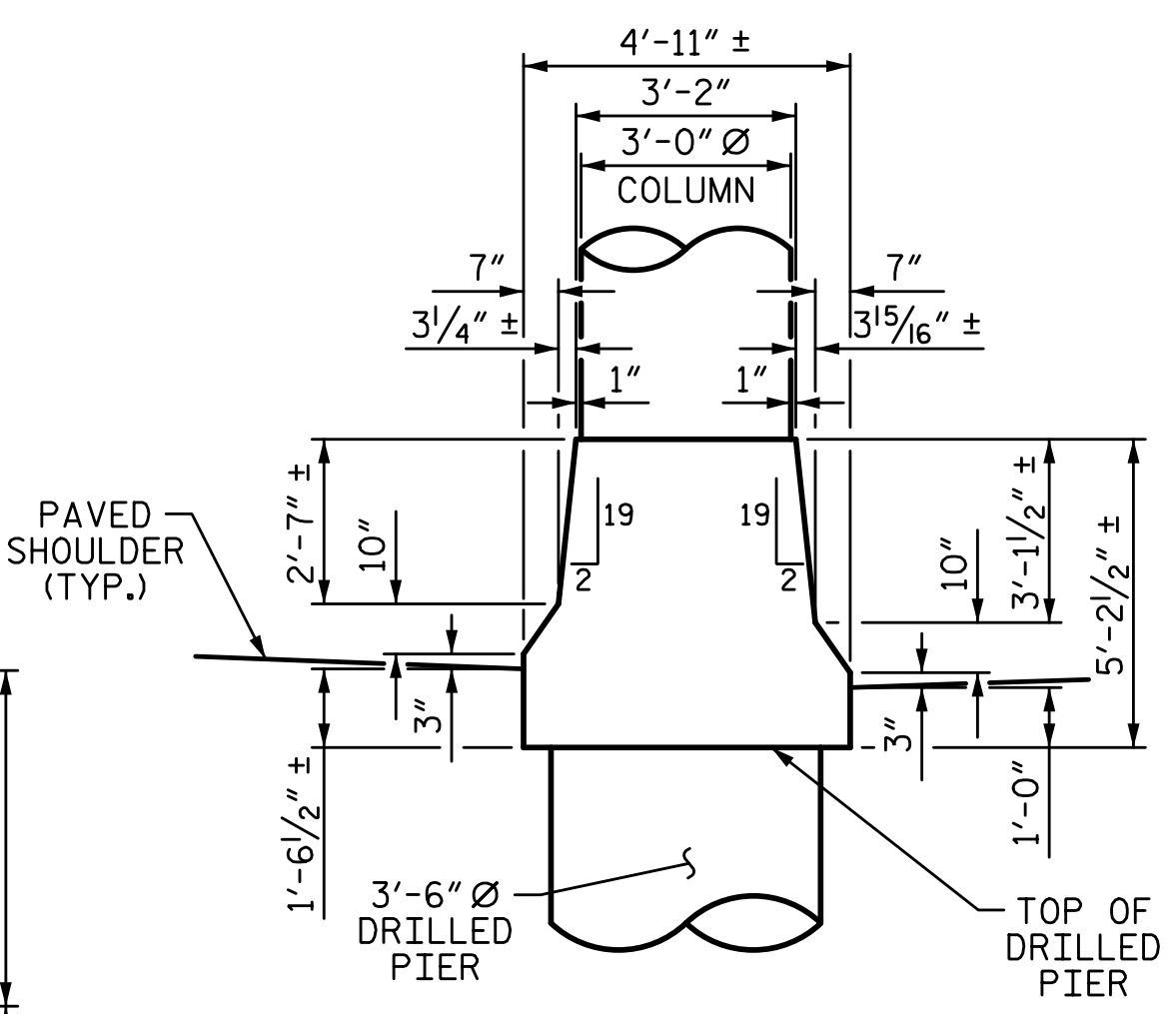
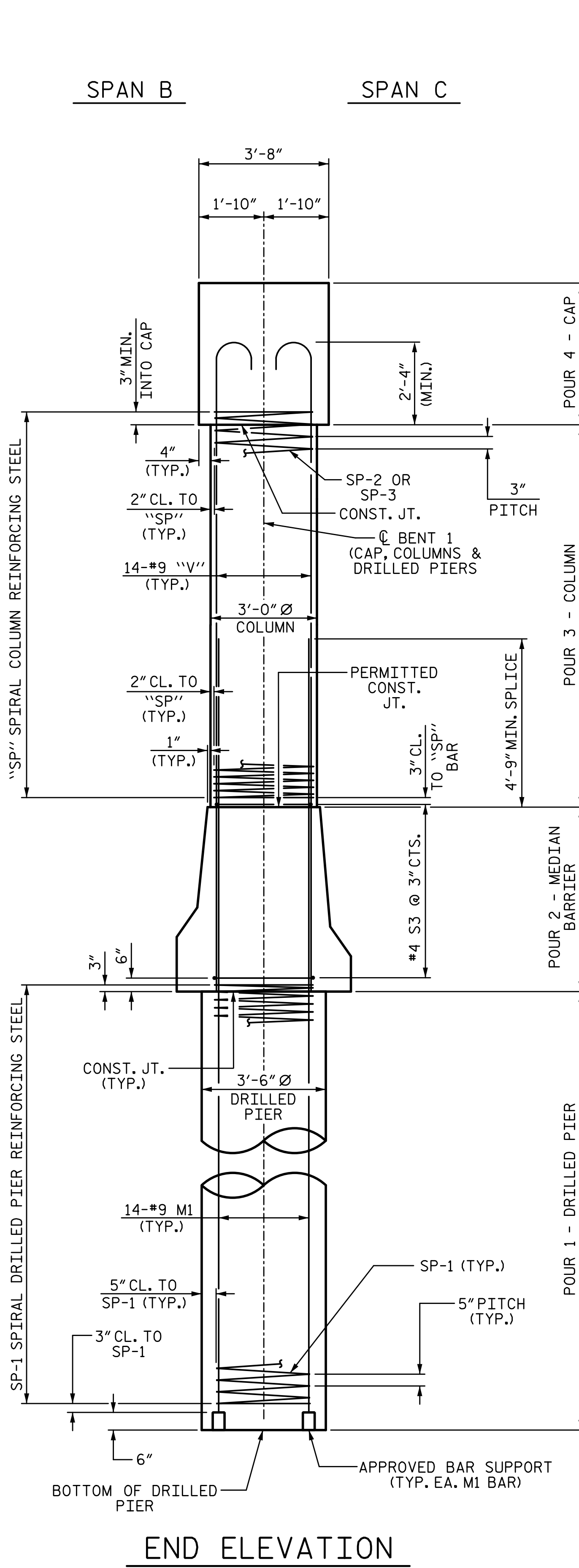


1/14/2020 10:06:28 AM G:\Projects\2017\I-5711\Structures\Drawings\Final\401-I5711-SMJ_B2_LT_000177.dgn



ALL BAR DIMENSIONS ARE OUT TO OUT

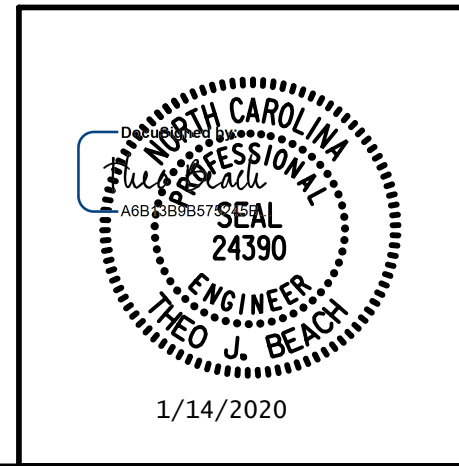
** THE "SP-1" SPIRAL REINFORCING STEEL SHALL BE W21 OR D-31 COLD DRAWN WIRE OR #5 PLAIN OR DEFORMED BAR.

* THE "SP-2" SPIRAL REINFORCING STEEL SHALL BE W20 OR D-20 COLD DRAWN WIRE OR #4 PLAIN OR DEFORMED BAR.

BILL OF MATERIAL					
BENT 2					
BAR NO.	SIZE	TYPE	LENGTH	WEIGHT	
B1	6	#10	1	35'-4"	912
B2	6	#9	1	35'-0"	714
B3	8	#5	STR	32'-8"	273
B4	6	#4	STR	10'-6"	42
B5	6	#4	STR	7'-4"	29
B6	36	#4	STR	17'-9"	427
M1	28	#9	STR	28'-0"	2666
S1	49	#5	2	12'-10"	656
S2	40	#4	9	9'-8"	258
S3	68	#5	5	5'-6"	390
S4	34	#5	6	6'-5"	228
S5	34	#5	6	5'-8"	201
U1	33	#4	4	6'-4"	140
U2	11	#4	4	6'-2"	45
U3	4	#4	4	7'-2"	19
U4	4	#4	4	7'-8"	20
V1	14	#9	3	13'-2"	627
V2	14	#9	3	12'-11"	615
SP-1	2	*	7	320'-9"	669
SP-2	1	*	8	346'-7"	232
SP-3	1	*	8	338'-4"	226
REINFORCING STEEL					8262 LB
SPIRAL COL. REINF. STEEL					1127 LB
CLASS "A" CONCRETE BREAKDOWN					
POUR 2 (MEDIAN BARRIER)					26.0 CY
POUR 3 (COLUMNS)					5.0 CY
POUR 4 (CAP)					22.2 CY
TOTAL					53.2 CY
DRILLED PIERS:					
DRILLED PIER CONCRETE					
POUR 1 (DRILLED PIERS)					11.1 CY
3'-6" Ø DRILLED PIER NOT IN SOIL					23 LF
3'-6" Ø DRILLED PIER IN SOIL					8 LF
CSL TUBES					136 LF

PROJECT NO. I-5711
ALAMANCE COUNTY
 STATION: STA. 27+02.26 -L-
 SHEET 2 OF 2

PLANS PREPARED BY:
S&A
 SIMPSON ENGINEERS & ASSOCIATES
 5640 Dillard Drive
 Suite 200
 Cary, NC 27518
 (919) 852-0468
 (919) 852-0538 (Fax)
 www.simpsonengr.com
 LICENSURE NO. C-2521



STATE OF NORTH CAROLINA
 DEPARTMENT OF TRANSPORTATION
 RALEIGH
 SUBSTRUCTURE

BENT 2

LEFT WIDENING

REVISIONS					
NO.	BY:	DATE:	NO.	BY:	DATE:
1			3		
2			4		

SHEET NO. S-53
 TOTAL SHEETS 89

DRAWN BY: S.D. COOPER DATE: 1-20
 CHECKED BY: T. BEACH DATE: 1-20
 DESIGN ENGINEER OF RECORD: T. BEACH DATE: 1-20

DOCUMENT NOT CONSIDERED FINAL UNLESS ALL SIGNATURES COMPLETED