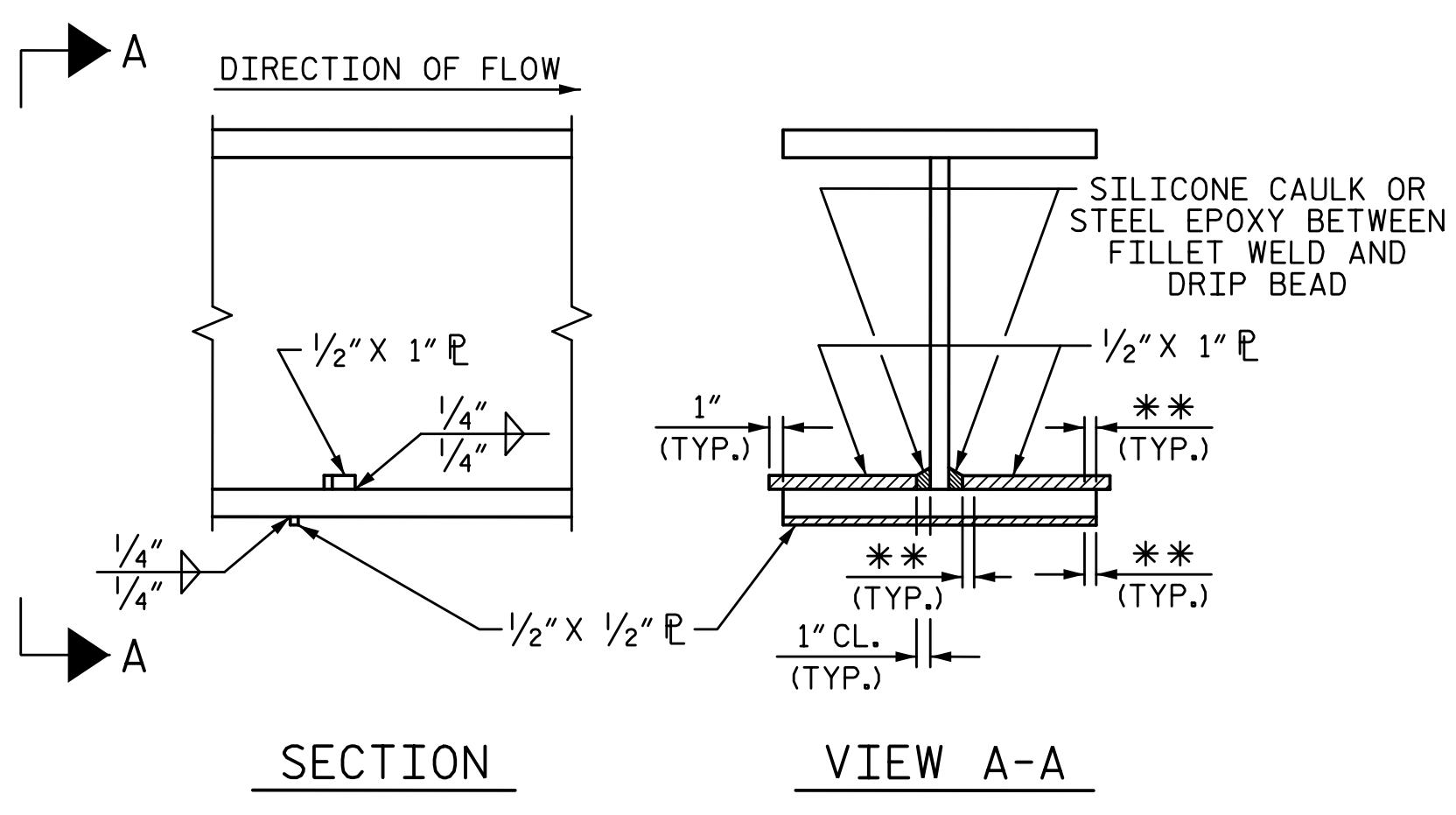
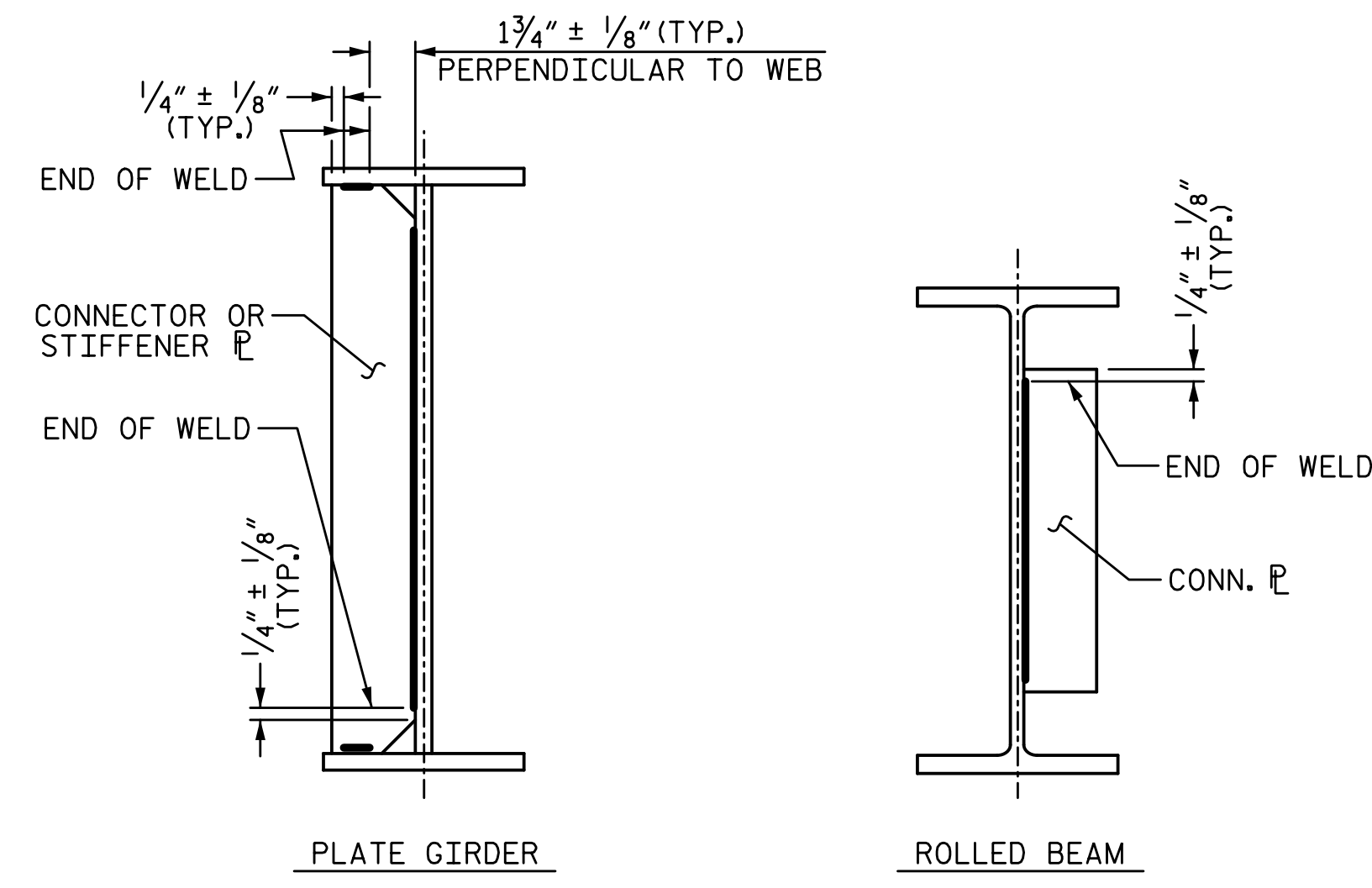


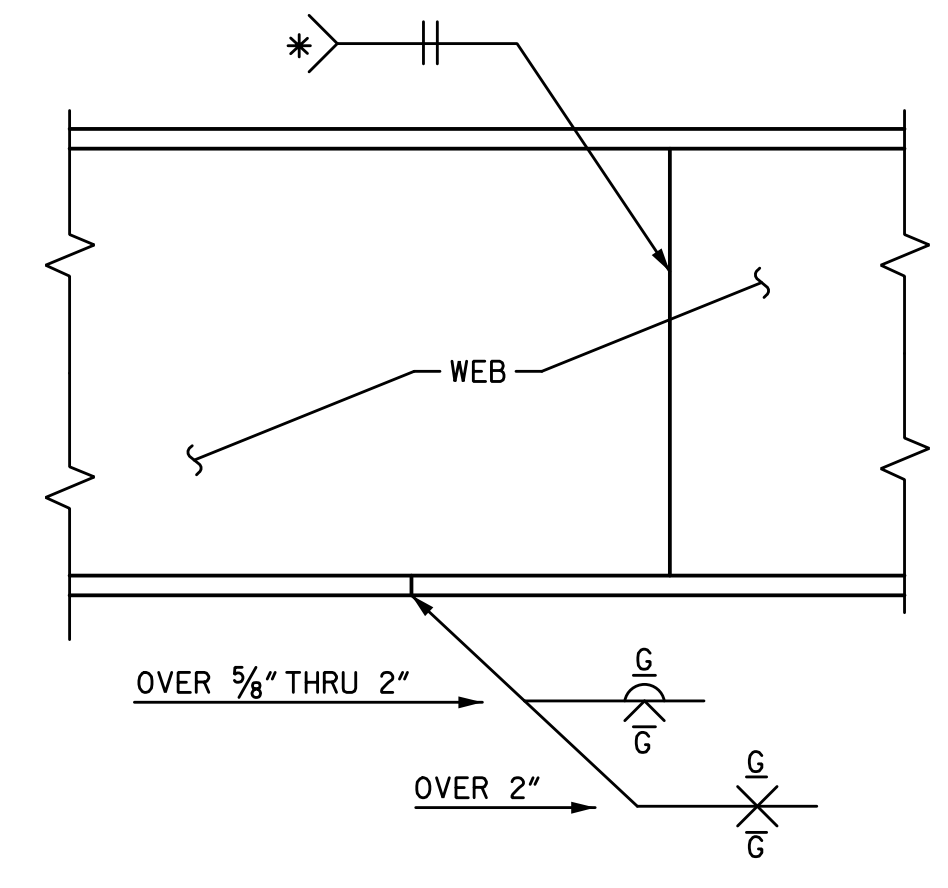
BOTTOM FLANGE - DRIP BEAD DETAILS



DRIP BEAD DETAILS

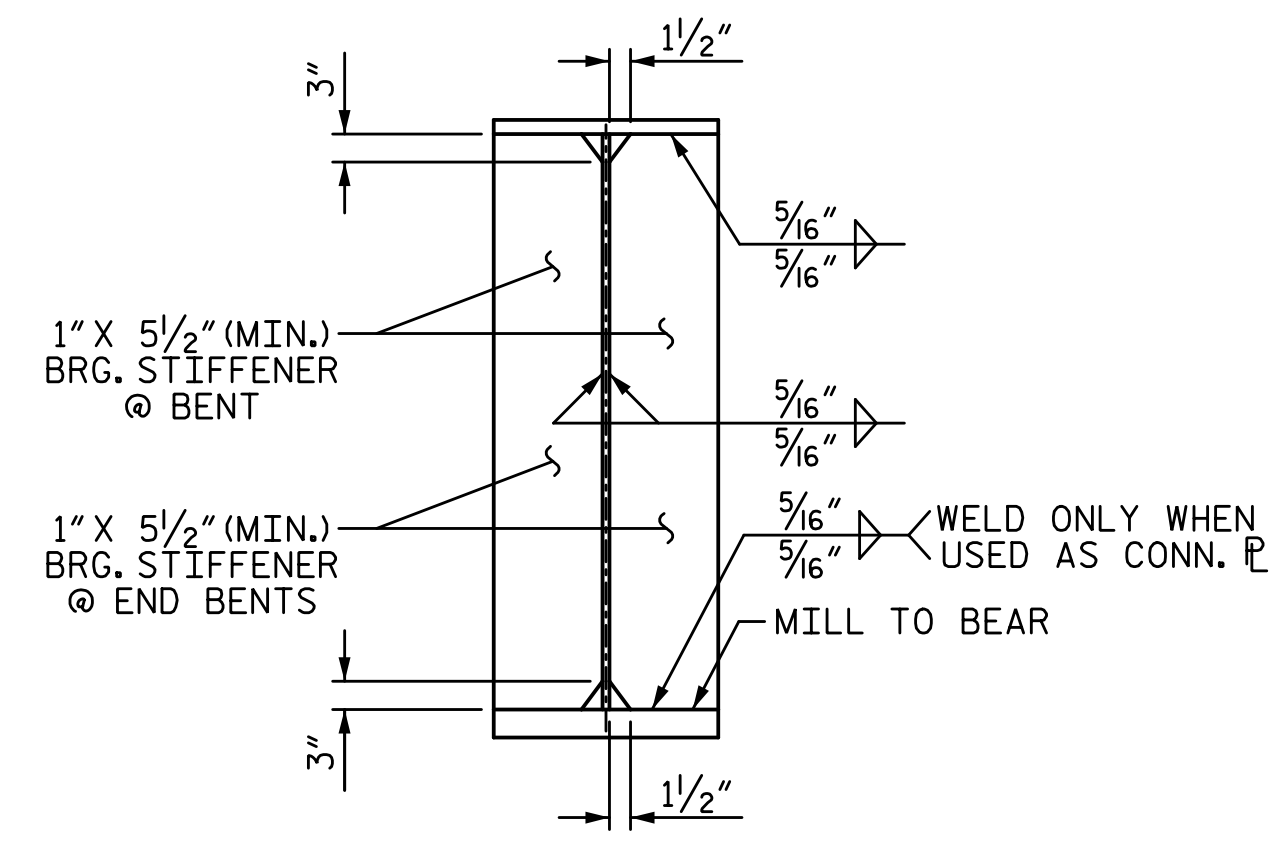


**TYPICAL STIFFENER OR CONNECTOR PLATE CONNECTION
WELD TERMINATION DETAILS**

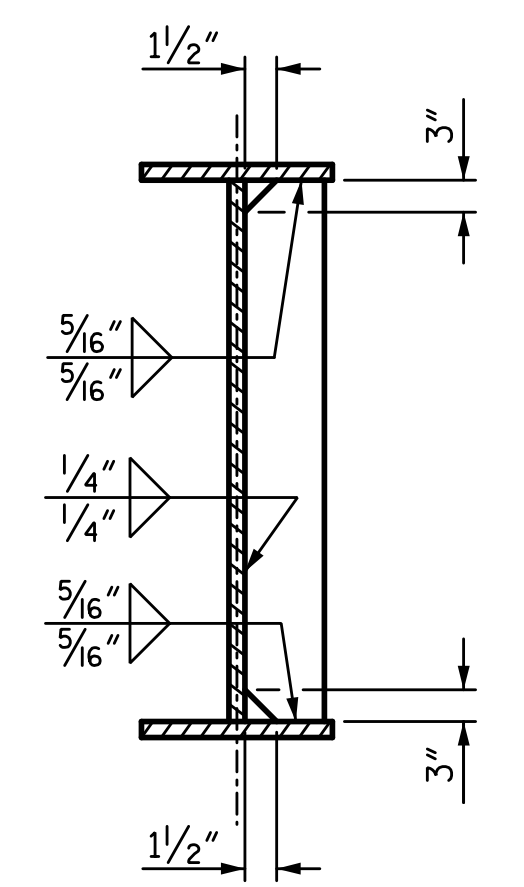


TYPICAL FLANGE AND WEB BUTT JOINT

* GRIND SMOOTH AND FLUSH ON OUTER FACE OF EXTERIOR GIRDERS

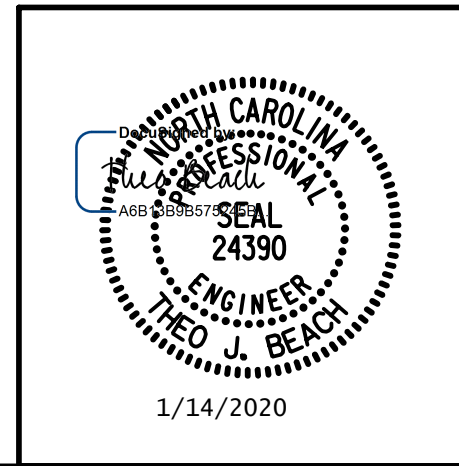


BEARING STIFFENER



CONNECTOR PLATE DETAIL

PLANS PREPARED BY:
SIMPSON ENGINEERS & ASSOCIATES
5640 Dillard Drive
Suite 200
Cary, NC 27518
(919) 852-0468
(919) 852-0598 (Fax)
www.simpsonengr.com
LICENSURE NO. C-2521



PROJECT NO. I-5711
ALAMANCE COUNTY
STATION: STA. 27+02.26 -L-

SHEET 4 OF 4

STATE OF NORTH CAROLINA
DEPARTMENT OF TRANSPORTATION
RALEIGH
SUPERSTRUCTURE
STRUCTURAL STEEL DETAILS
LEFT & RIGHT WIDENING

REVISIONS						SHEET NO.
NO.	BY:	DATE:	NO.	BY:	DATE:	S-22
1			3			TOTAL SHEETS
2			4			89

**DOCUMENT NOT CONSIDERED FINAL
UNLESS ALL SIGNATURES COMPLETED**

1/14/2020 10:06:19 AM G:\Projects\2017\I-5711\Structures\Drawings\Final\401-I5711-SMJ_SS_000177.dgn

DRAWN BY: S.D. COOPER DATE: 1-20
CHECKED BY: T. BEACH DATE: 1-20
DESIGN ENGINEER OF RECORD: T. BEACH DATE: 1-20