

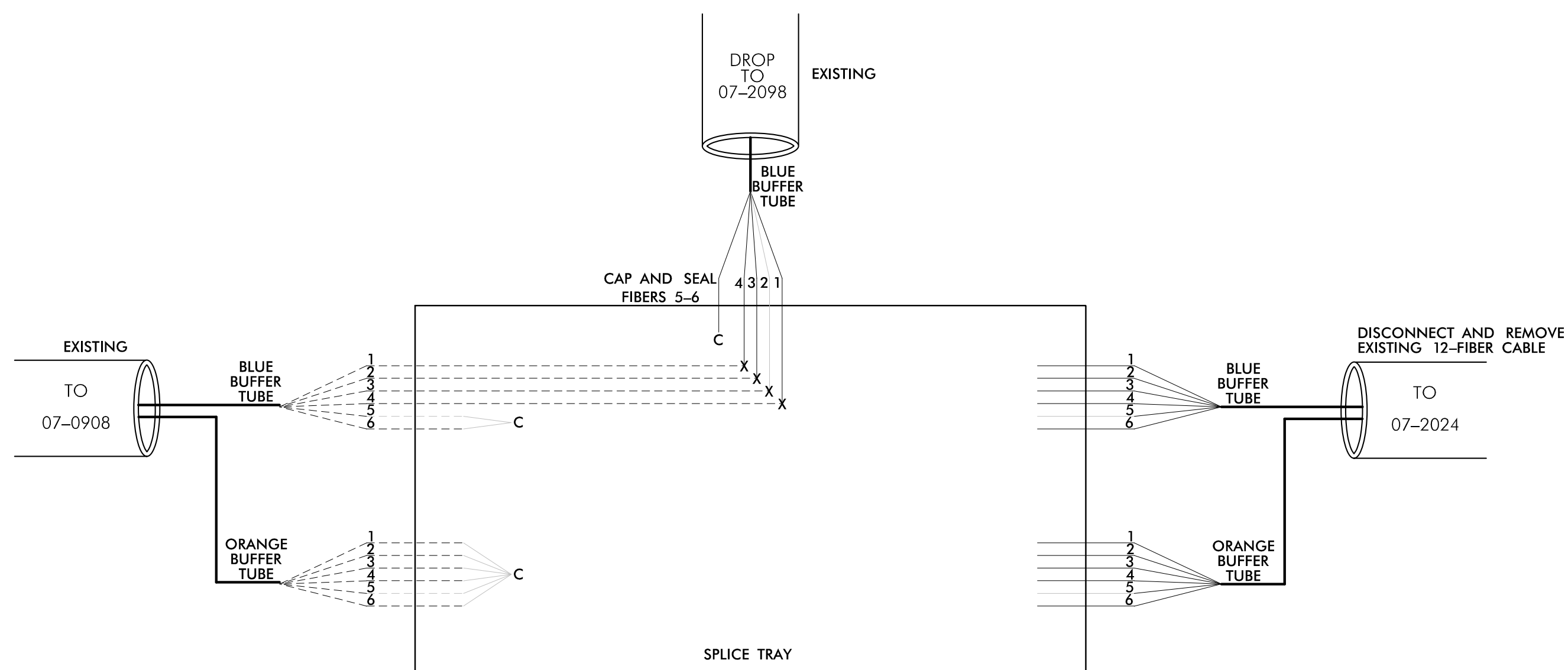
EXISTING AERIAL SPLICE ENCLOSURE  
SR 1007 (MEBANE OAKS ROAD) AT  
SR 2033 (ARROWHEAD BOULEVARD)  
AND SR 2034 (CAMERON LANE)  
SIG. INV. # 07-2098

NOTES:  
UNUSED FIBERS LEFT COILED AND STORED IN SPLICE TRAY.  
UNUSED BUFFER TUBES LEFT COILED AND STORED IN SPLICE TRAY.

COLOR CODE  
TIA/EIA 598-A

- (1) BLUE
- (2) ORANGE
- (3) GREEN
- (4) BROWN
- (5) SLATE
- (6) WHITE

LEGEND  
X = FUSION SPlice  
C = CAP IN TRAY

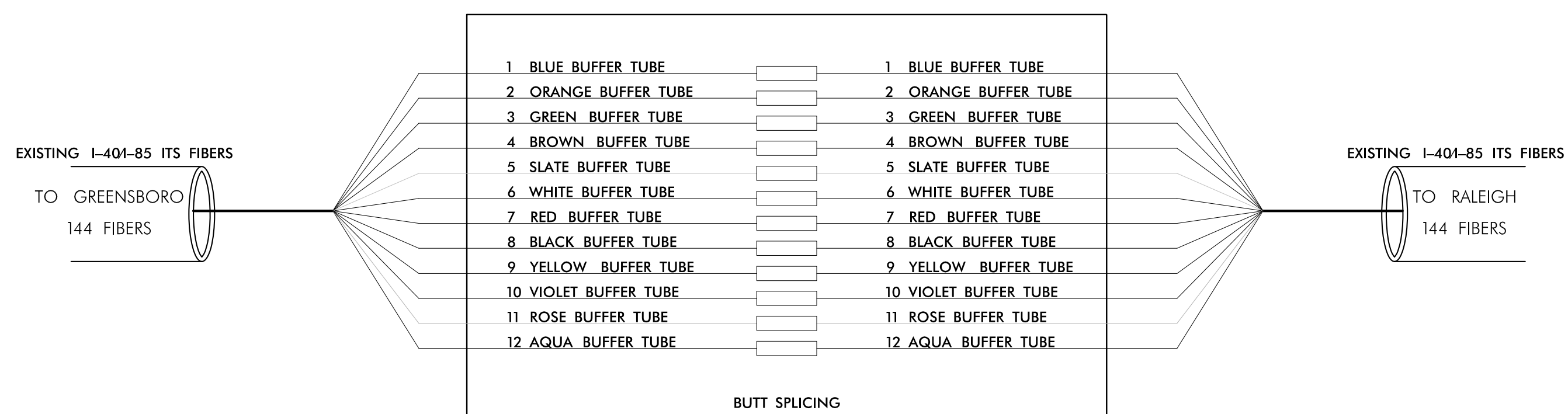


NEW UNDERGROUND SPLICE ENCLOSURE  
FOR I-401-85 ITS FIBERS  
SR 1007 (MEBANE OAK ROAD) AT  
I-40 WB /I-85 SB RAMPS  
SIG. INV. # 07-2024

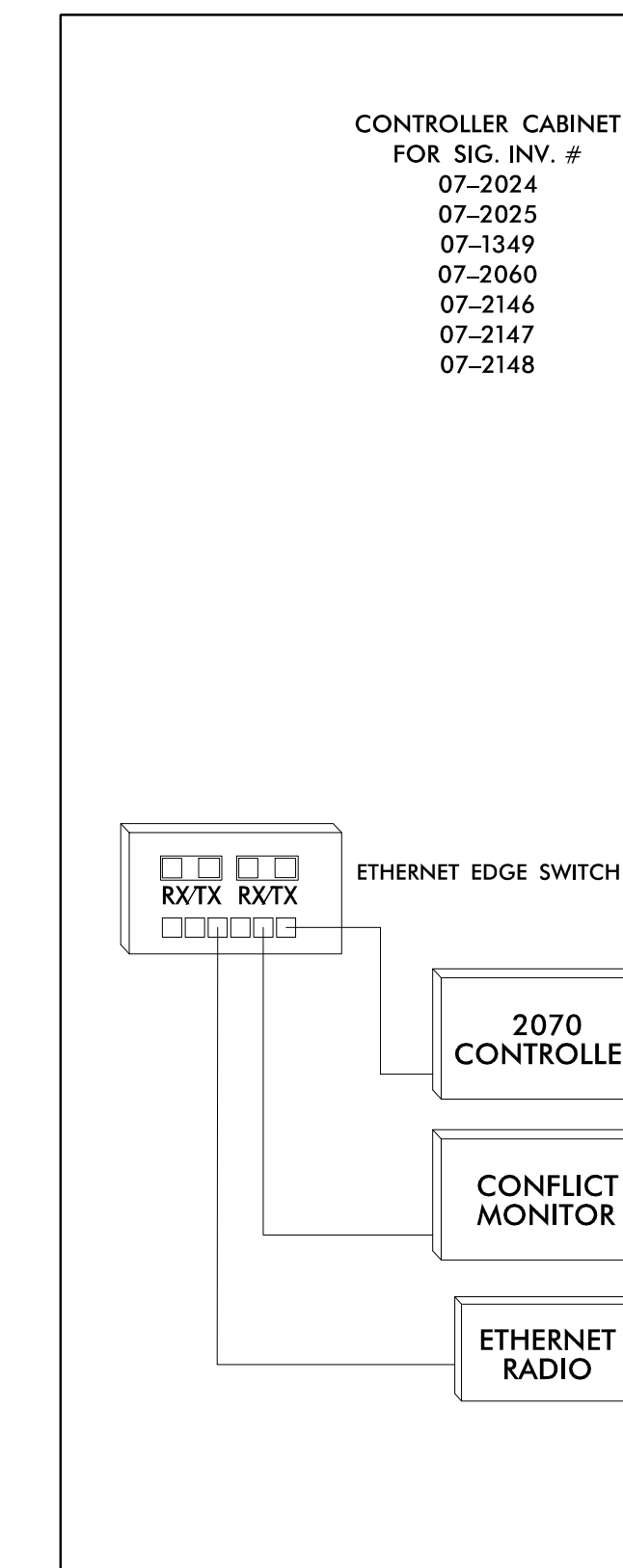
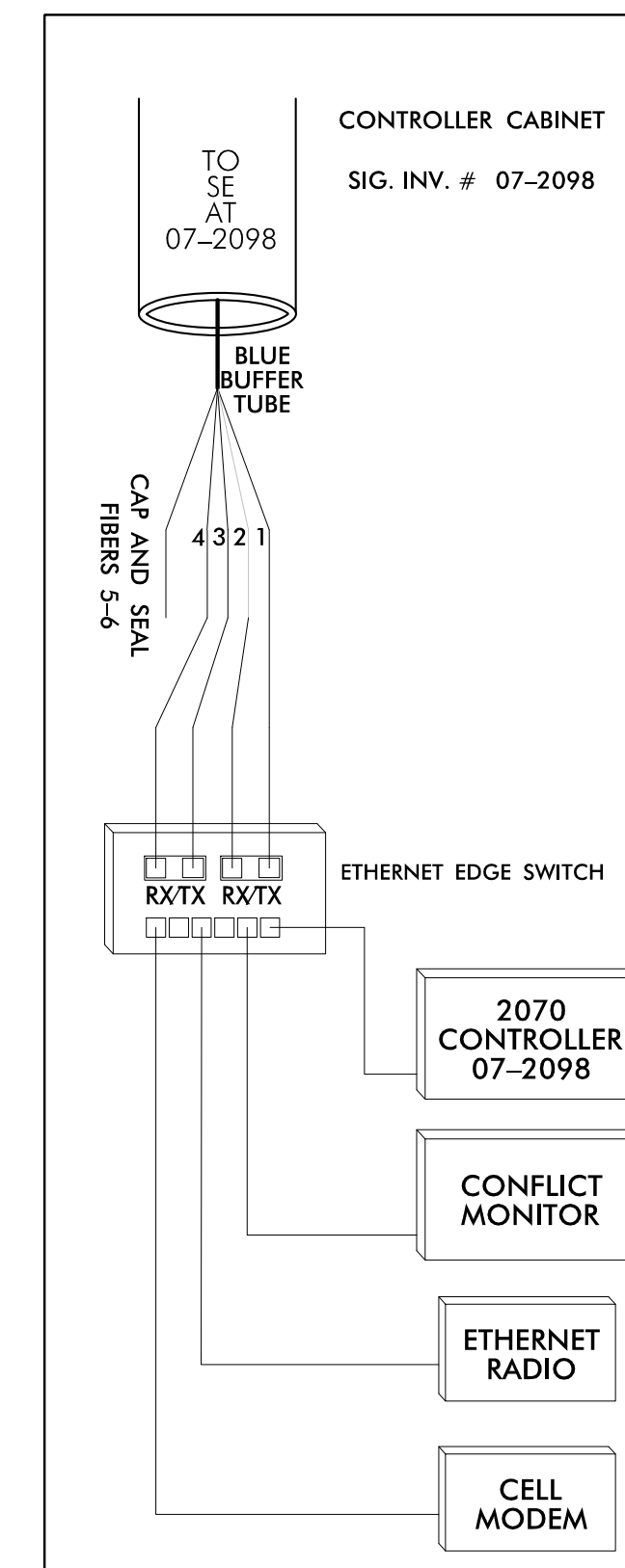
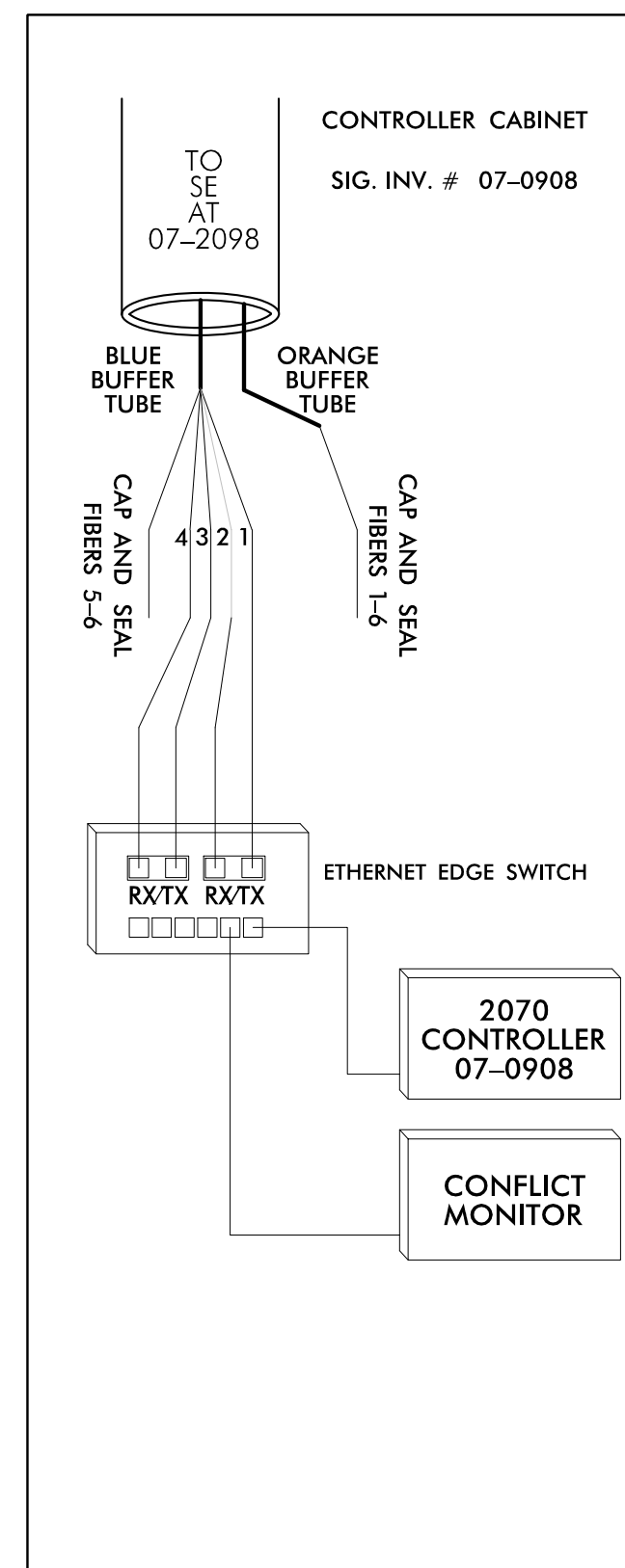
COLOR CODE  
TIA/EIA 598-A

- (1) BLUE
- (2) ORANGE
- (3) GREEN
- (4) BROWN
- (5) SLATE
- (6) WHITE
- (7) RED
- (8) BLACK
- (9) YELLOW
- (10) VIOLET
- (11) ROSE
- (12) AQUA

LEGEND  
□ SPLICE THROUGH



NOTES:  
SPLICE REROUTED EXISTING 144-FIBER CABLES IN JUNCTION BOX JB1, AS SHOWN ON SHEET SCP 3 TO RESTORE ORIGINAL FIBER CONNECTIONS.  
NOTIFY NCDOT REGIONAL ITS ENGINEER AT 336-315-7081 TWO (2) WEEKS PRIOR TO BEGINNING WORK ON THE 144-FIBER CABLE WHICH SERVES THE I-401-85 ITS SYSTEM, AND IMMEDIATELY AFTER ALL WORK IS PERFORMED TO ENSURE THAT ALL FIBER CIRCUITS ARE FUNCTIONING PROPERLY.  
WORK IS NOT COMPLETE UNTIL THE I-401-85 ITS SYSTEM IS BACK UP AND OPERATIONAL (SEE ICT).



NOTES:

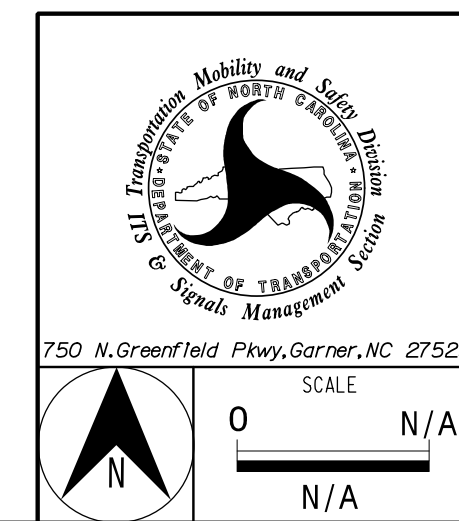
1. THE NCDOT DIVISION 7 WILL FURNISH THE CELL MODEM. EIGHT (8) WEEKS PRIOR TO BEGINNING WORK ON THE SIGNAL SYSTEM, CONTACT THE NCDOT DIVISION 7 DEPUTY TRAFFIC ENGINEER MARK ALDRIDGE AT 336-487-0175 TO OBTAIN THE CELL MODEM AND REQUEST THE DIVISION'S ASSISTANCE IN PROGRAMMING THE NEW ETHERNET EDGE SWITCHES WITH THE NECESSARY NETWORK CONFIGURATION DATA, INCLUDING BUT NOT LIMITED TO: THE PROJECT IP ADDRESS, DEFAULT GATEWAY, SUBNET MASK AND VLAN ID INFORMATION. NOTIFY THE DEPUTY TRAFFIC ENGINEER AFTER ALL WORK IS PERFORMED TO ENSURE THAT ALL FIBER CIRCUITS ARE FUNCTIONING PROPERLY. WORK IS NOT COMPLETE UNTIL THE SIGNAL SYSTEM IS BACK UP AND OPERATIONAL.
2. CONTRACTOR TO RECORD EXISTING SPLICE ARRANGEMENT FOR COMPARISON TO THE SUPPLIED SPLICE DETAILS. IF DISCREPANCIES EXIST, CONTACT THE ENGINEER TO DETERMINE HOW TO PROCEED WITH RESPLICING. PROVIDE AS-BUILT PLANS TO THE ENGINEER IF FINAL SPLICE ARRANGEMENT DIFFERS FROM THE SUPPLIED SPLICE DETAILS.
3. ETHERNET SWITCH TERMINATION CONFIGURATIONS ARE GENERIC. CONTRACTOR IS RESPONSIBLE FOR DETERMINING \ ENSURING PROPER TERMINATIONS.
4. INCLUDE ON THE COVER OF EACH SPLICE TRAY THE FOLLOWING:  
REFERENCE NCDOT 2018 STANDARD SPECIFICATIONS FOR ROADS AND STRUCTURES SECTION 1731 "FIBER OPTIC SPLICE ENCLOSURE"

- 1) SPLICE LOCATION
- 2) DATE
- 3) COMPANY NAME
- 4) NAME OF INDIVIDUAL PERFORMING THE SPLICING

PRIOR TO INSTALLING THE COVER ON THE SPLICE TRAY TAKE A DIGITAL PHOTOGRAPH SHOWING THE SPLICE TRAY AND INFORMATION SHOWN ABOVE (1-4) AND SUBMIT PHOTOGRAPH ALONG WITH OTDR TEST RESULTS.

12/17/2019 11:58:58 AM  
 PROJECT: I-5711  
 SHEET: SCP. 10  
 CADD FILENAME: 12/17/2019 11:58:58 AM

PREPARED IN THE OFFICE OF:  
**Accelerate Engineering, PLLC**  
875 Walnut Street, Suite 316  
Cary, NC 27511  
Tel: 919.263.5678 Fax: 919.263.5687  
NC License No. P-1442



CONSTRUCTION PHASE  
SPLICE DETAILS

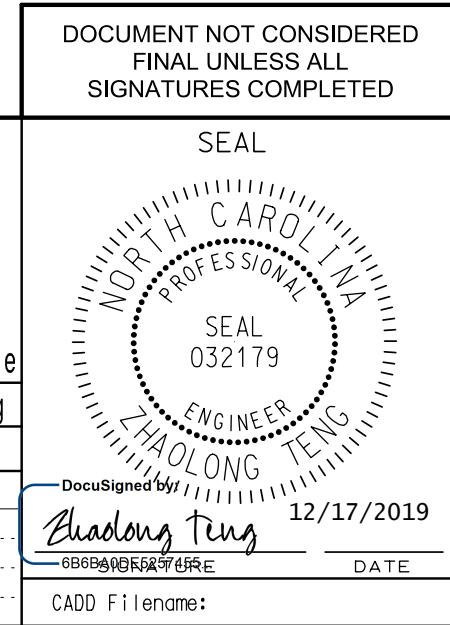
Division 7 Alamance County Mebane

PLAN DATE: November 2019 REVIEWED BY: Z. "Gavin" Teng

PREPARED BY: Z. "Gavin" Teng REVIEWED BY:

REVISIONS	INIT.	DATE

CADD Filename:



DOCUMENT NOT CONSIDERED FINAL UNLESS ALL SIGNATURES COMPLETED