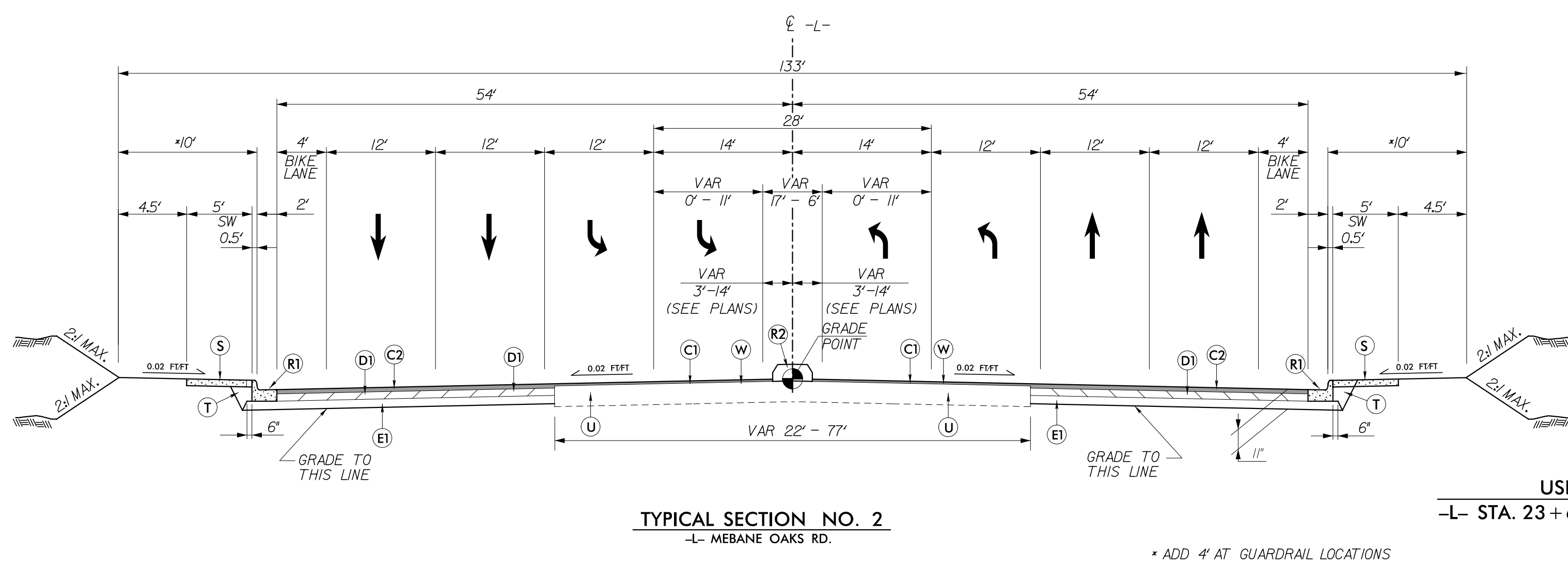
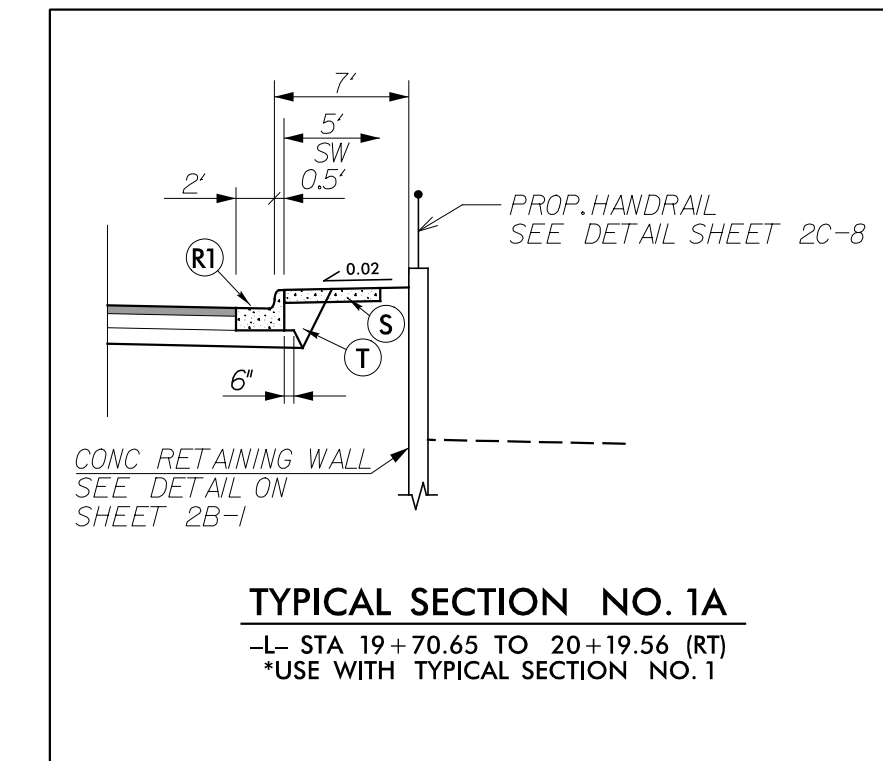
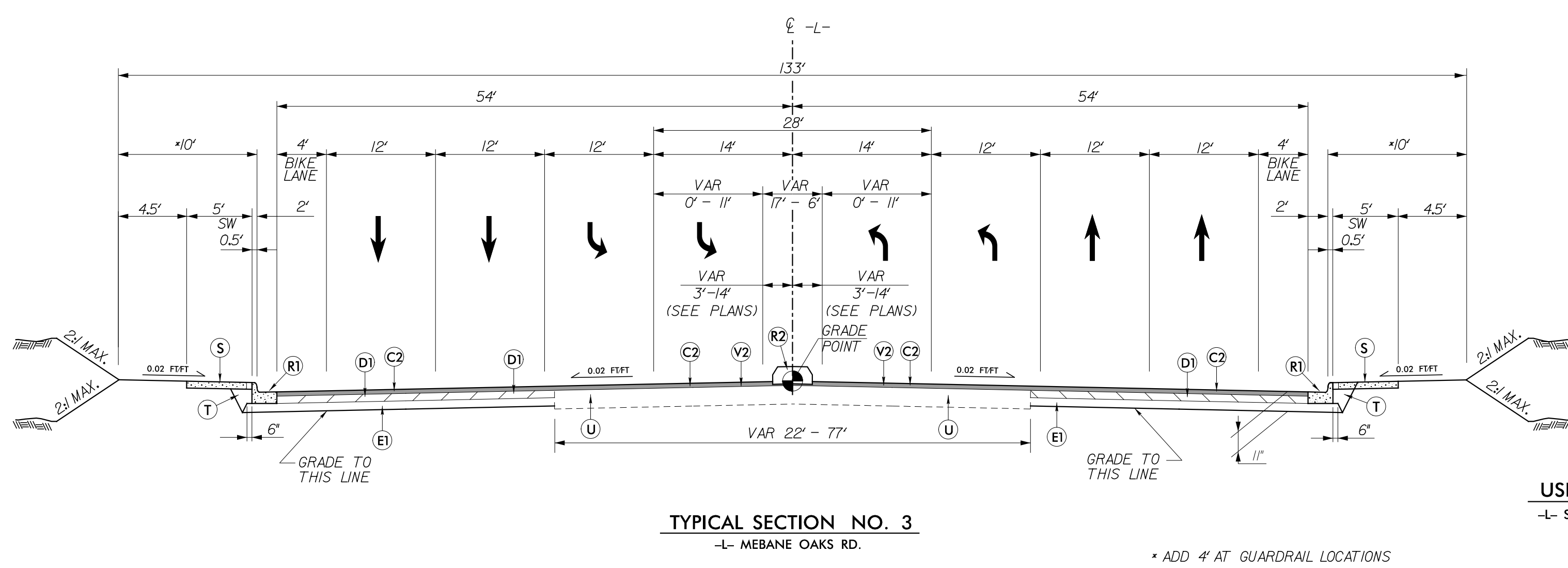


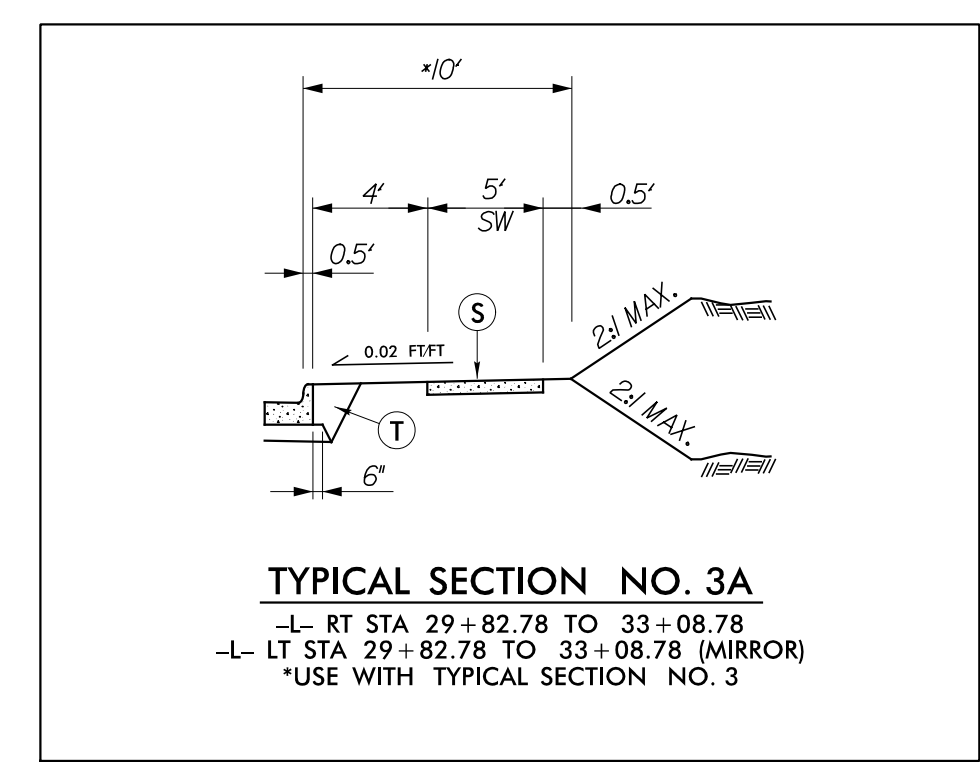
USE TYPICAL SECTION NO. 1 FOR:  
 -L- STA. 19+33.61 TO STA. 23+63.85



USE TYPICAL SECTION NO. 2 FOR:  
 -L- STA. 23+63.85 TO STA. 25+95.63 (BEGIN BRIDGE)



USE TYPICAL SECTION NO. 3 FOR:  
 -L- STA 28+16.63 (END BRIDGE) TO STA. 29+82.78



**DOCUMENT NOT CONSIDERED FINAL UNLESS ALL SIGNATURES COMPLETED**

**PAVEMENT SCHEDULE**  
 FINAL PAVEMENT DESIGN, 10/16/19

CODE	DESCRIPTION
C1	1.5" S9.5B
C2	3" S9.5B
D1	4" I19.0C
E1	4" B25.0C
R1	CONC C & G (2'-6")
R2	MONO. CONC ISLAND
S	4" SIDEWALK
T	EARTH MATERIAL
U	EXIST PAVEMENT
V2	3" MILLING
W	WEDGING