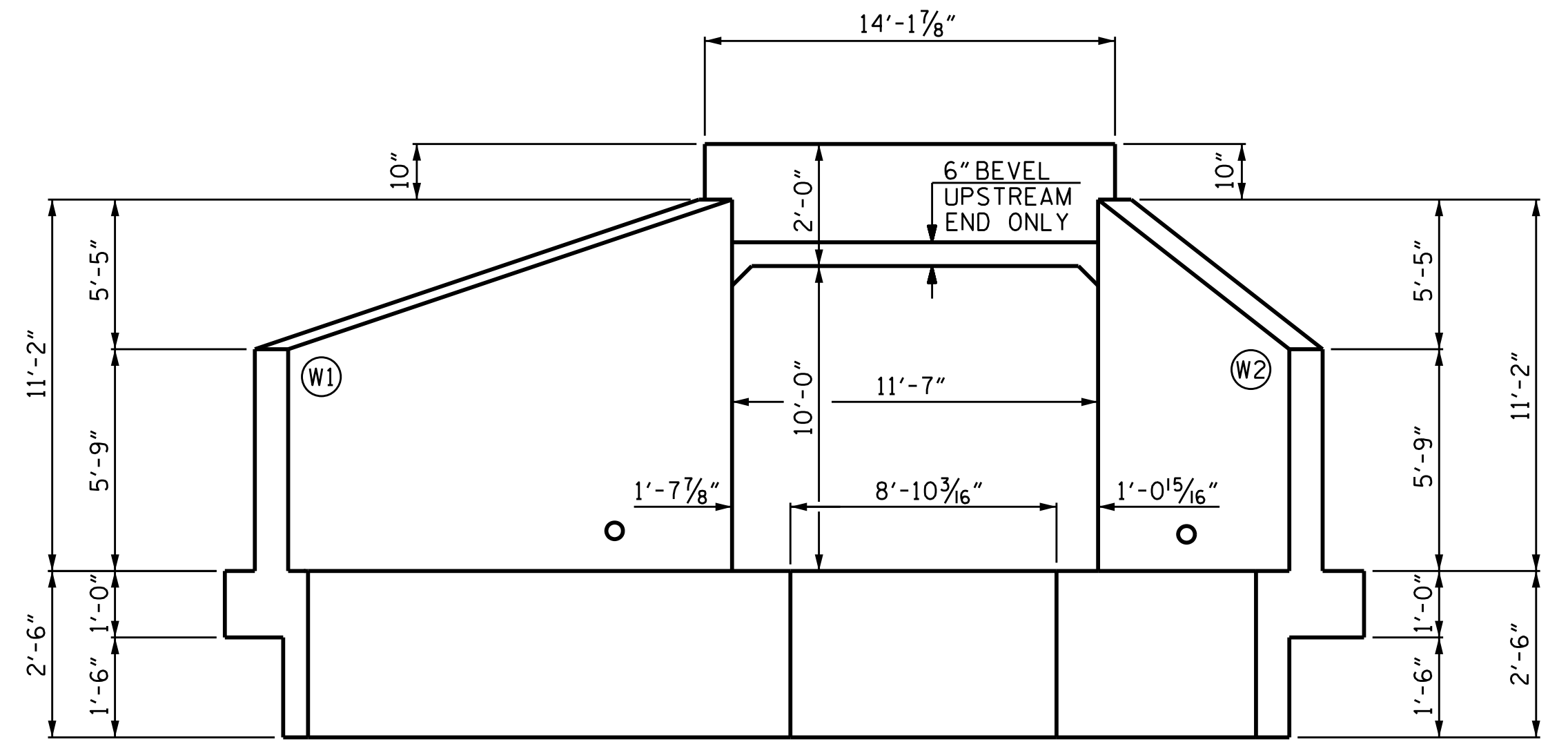
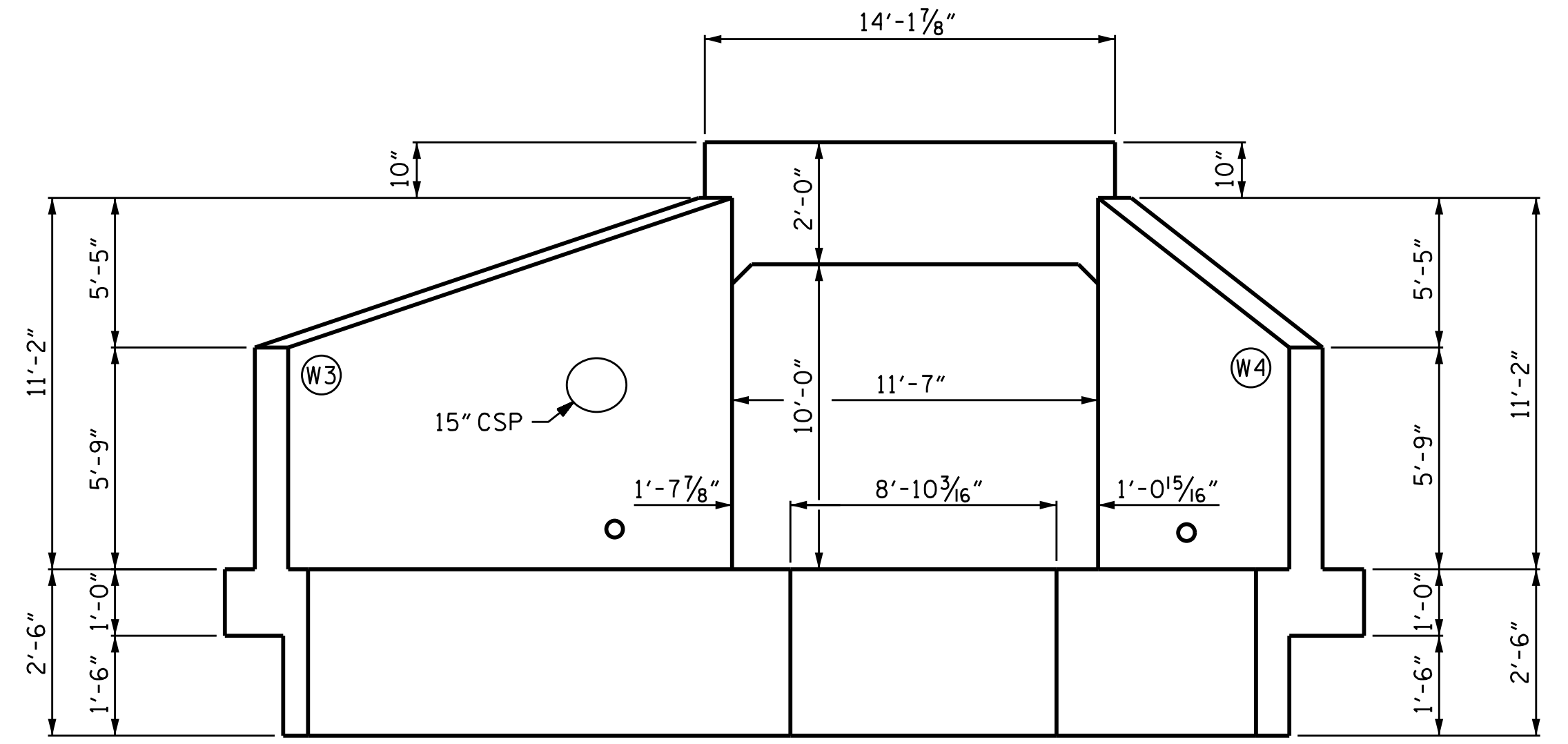


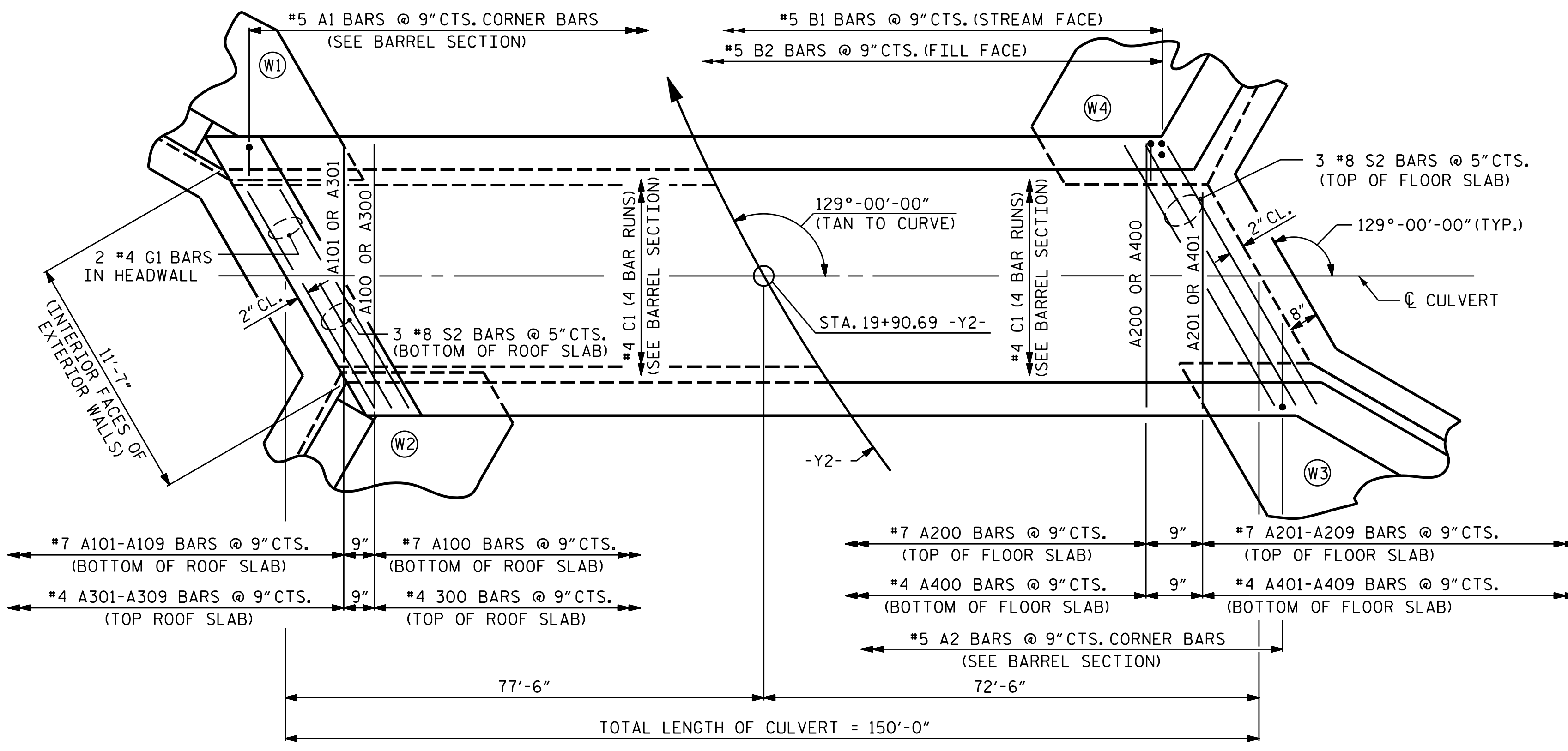
**CULVERT SECTION NORMAL TO ROADWAY**



**INLET ELEVATION NORMAL TO SKEW**

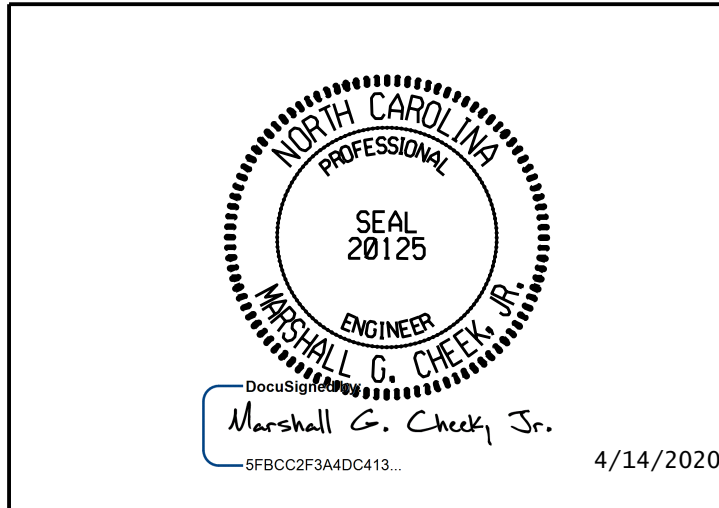


**OUTLET ELEVATION NORMAL TO SKEW**



**PART PLAN - ROOF SLAB      PART PLAN - FLOOR SLAB**

PROJECT NO. B-5825  
YADKIN/FORSYTH COUNTY  
 STATION: 19+90.69 -Y2-  
 SHEET 3 OF 6



STATE OF NORTH CAROLINA  
 DEPARTMENT OF TRANSPORTATION  
 RALEIGH  
**SINGLE 9 FT.X 10 FT.  
 CONCRETE BOX CULVERT  
 129° SKEW**

DOCUMENT NOT CONSIDERED FINAL  
 UNLESS ALL SIGNATURES COMPLETED  
**TGS ENGINEERS**  
 706 HILLSBOROUGH STREET  
 SUITE 200  
 RALEIGH NC 27603  
 PH (919) 773-8887  
 CORP. LICENSE NO.: C-0275

REVISIONS						SHEET NO.
NO.	BY:	DATE:	NO.	BY:	DATE:	C2-3
1			3			TOTAL SHEETS
2			4			13

REVISED 8-28-92 BY E.L.R. CHECKED BY G.R.P.  
 REVISED 8-22-89 BY A.R.B. CHECKED BY C.R.K.  
 REDRAWN 8-22-89  
 REVISED 11-19-99 BY M.M. CHECKED BY R.W.W.

DRAWN BY: STM DATE: 09/19  
 CHECKED BY: MGC DATE: 11/19  
 DESIGN ENGINEER OF RECORD: STM DATE: 02/20