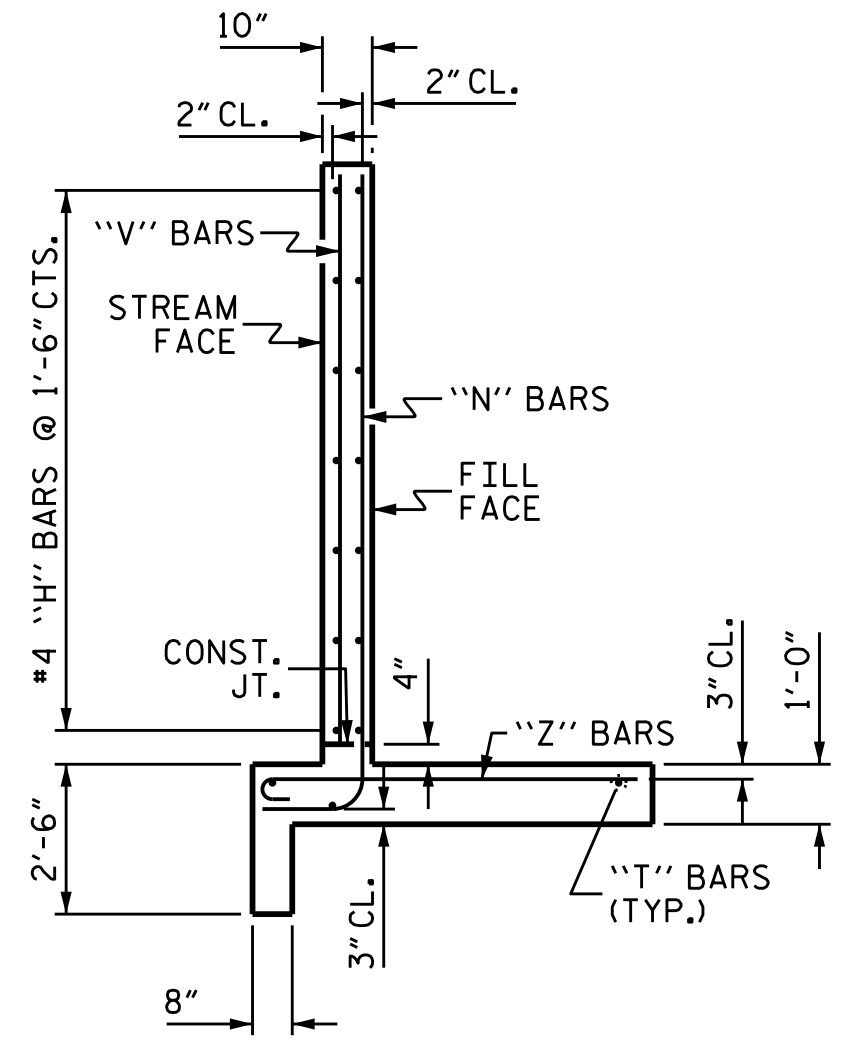
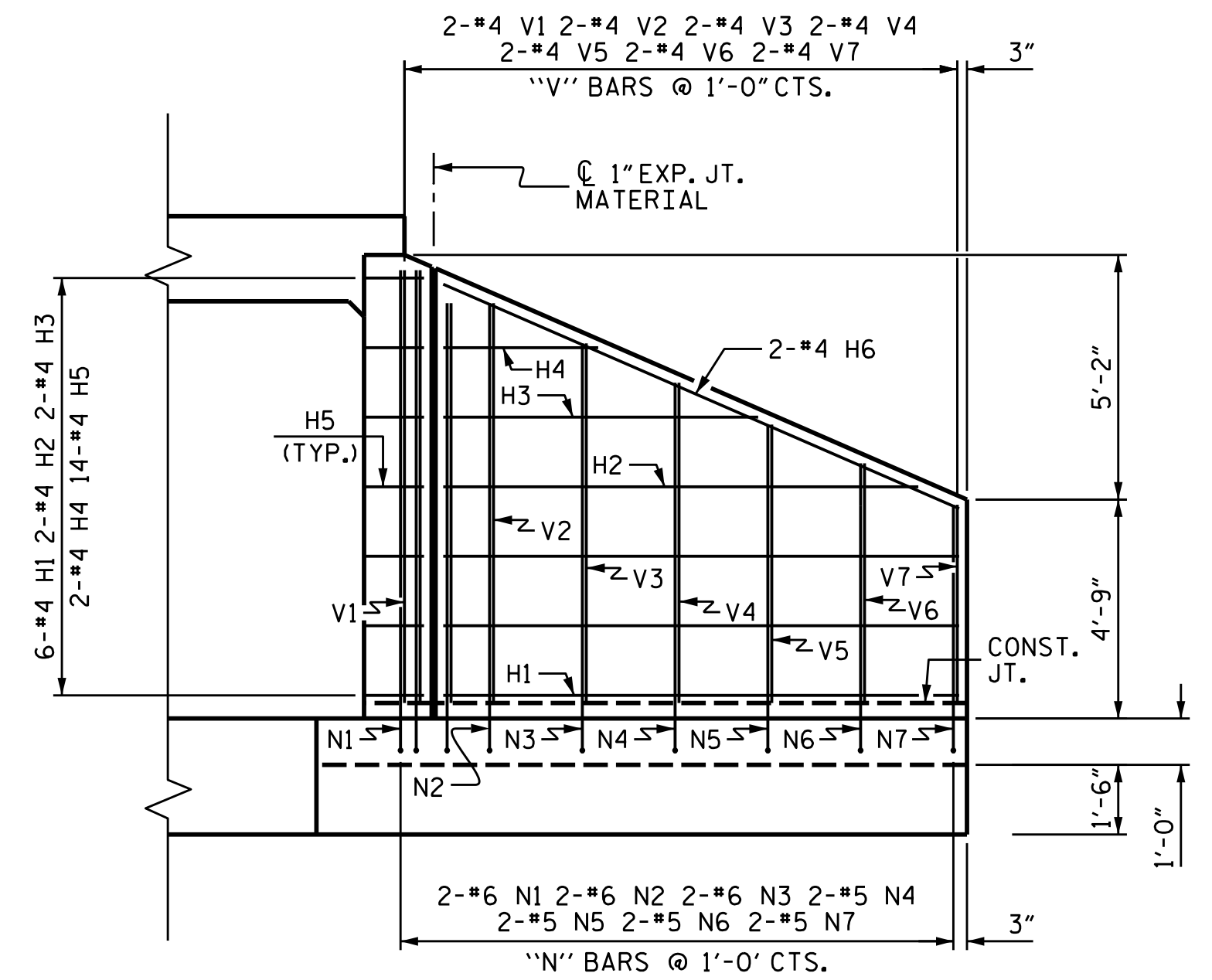


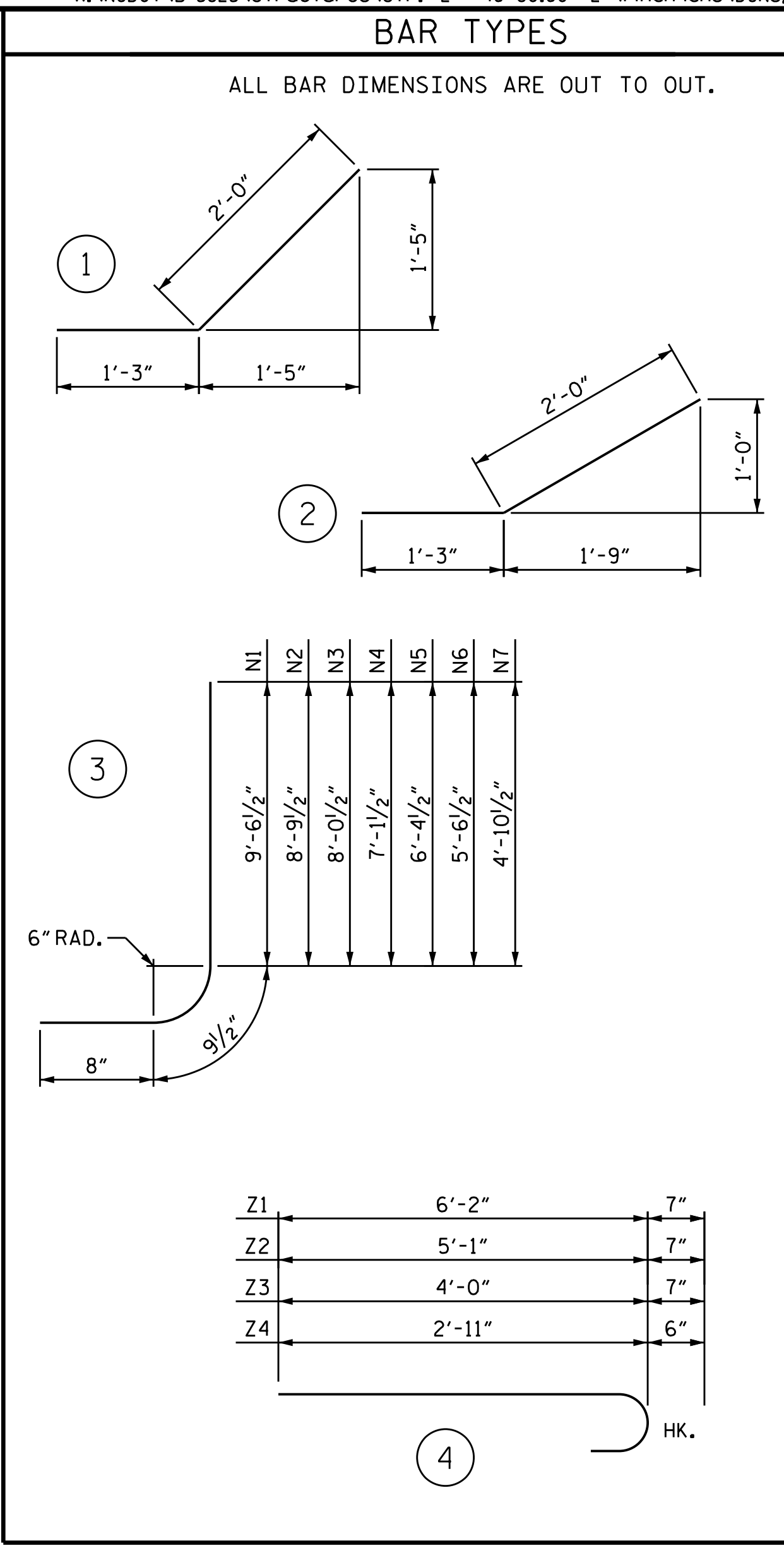
PLAN W1



TYPICAL WING SECTION



ELEVATION W1



BILL OF MATERIAL					
BAR	NO.	SIZE	TYPE	LENGTH	WEIGHT
H1	12	#4	STR	11'-1"	89
H2	4	#4	STR	10'-3"	27
H3	4	#4	STR	6'-9"	18
H4	4	#4	STR	2'-10"	8
H5	28	#4	1	3'-3"	61
H6	4	#4	STR	11'-11"	32
N1	4	#6	3	11'-0"	66
N2	4	#6	3	10'-3"	62
N3	4	#6	3	9'-6"	57
N4	4	#5	3	8'-7"	36
N5	4	#5	3	7'-10"	33
N6	4	#5	3	7'-0"	29
N7	4	#5	3	6'-4"	26
S1	6	#6	STR	6'-0"	54
T1	6	#5	STR	13'-0"	81
V1	4	#4	STR	9'-0"	24
V2	4	#4	STR	8'-2"	22
V3	4	#4	STR	7'-5"	20
V4	4	#4	STR	6'-7"	18
V5	4	#4	STR	5'-10"	16
V6	4	#4	STR	5'-0"	13
V7	4	#4	STR	4'-3"	11
Z1	8	#5	4	6'-9"	56
Z2	6	#5	4	5'-8"	35
Z3	6	#5	4	4'-7"	29
Z4	6	#4	4	3'-5"	14

REINFORCING STEEL 937 LBS FOR 2 WINGS

CLASS A CONCRETE
 2 WINGS 12.4 CY
 1 HEADWALL 0.5 CY
 1 END CURTAIN WALL 0.3 CY
 TOTAL 13.2 CY

DRAWN BY : ZCS DATE : 10/19
 CHECKED BY : MGC DATE : 12/19
 DESIGN ENGINEER OF RECORD: ZCS DATE : 12/19

STATE OF NORTH CAROLINA
 DEPARTMENT OF TRANSPORTATION
 RALEIGH

WINGS FOR CONCRETE BOX CULVERT
 H = 9'-0" 90° SKEW

4/14/2020

DOCUMENT NOT CONSIDERED FINAL UNLESS ALL SIGNATURES COMPLETED

TGS ENGINEERS
 706 HILLSBOROUGH STREET
 SUITE 200
 RALEIGH, NC 27603
 PH (919) 773-8887
 CORP. LICENSE NO.: C-0275

PROJECT NO. B-5825
YADKIN/FORSYTH COUNTY
 STATION: 46+80.60 -L-

SHEET 7 OF 7

REVISIONS						SHEET NO.
NO.	BY:	DATE:	NO.	BY:	DATE:	C1-7
1			3			TOTAL SHEETS
2			4			13

STD. NO. CW4509