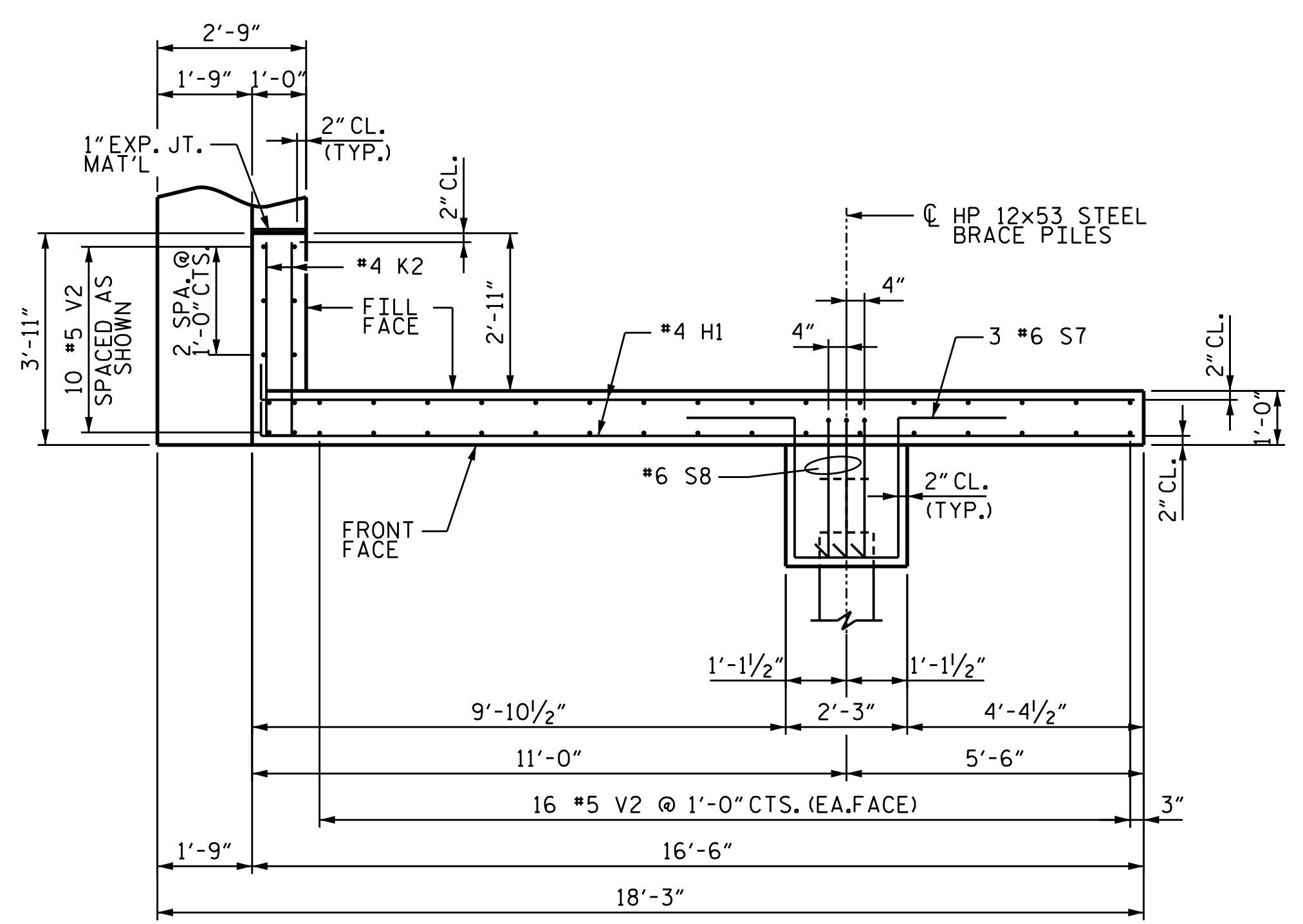
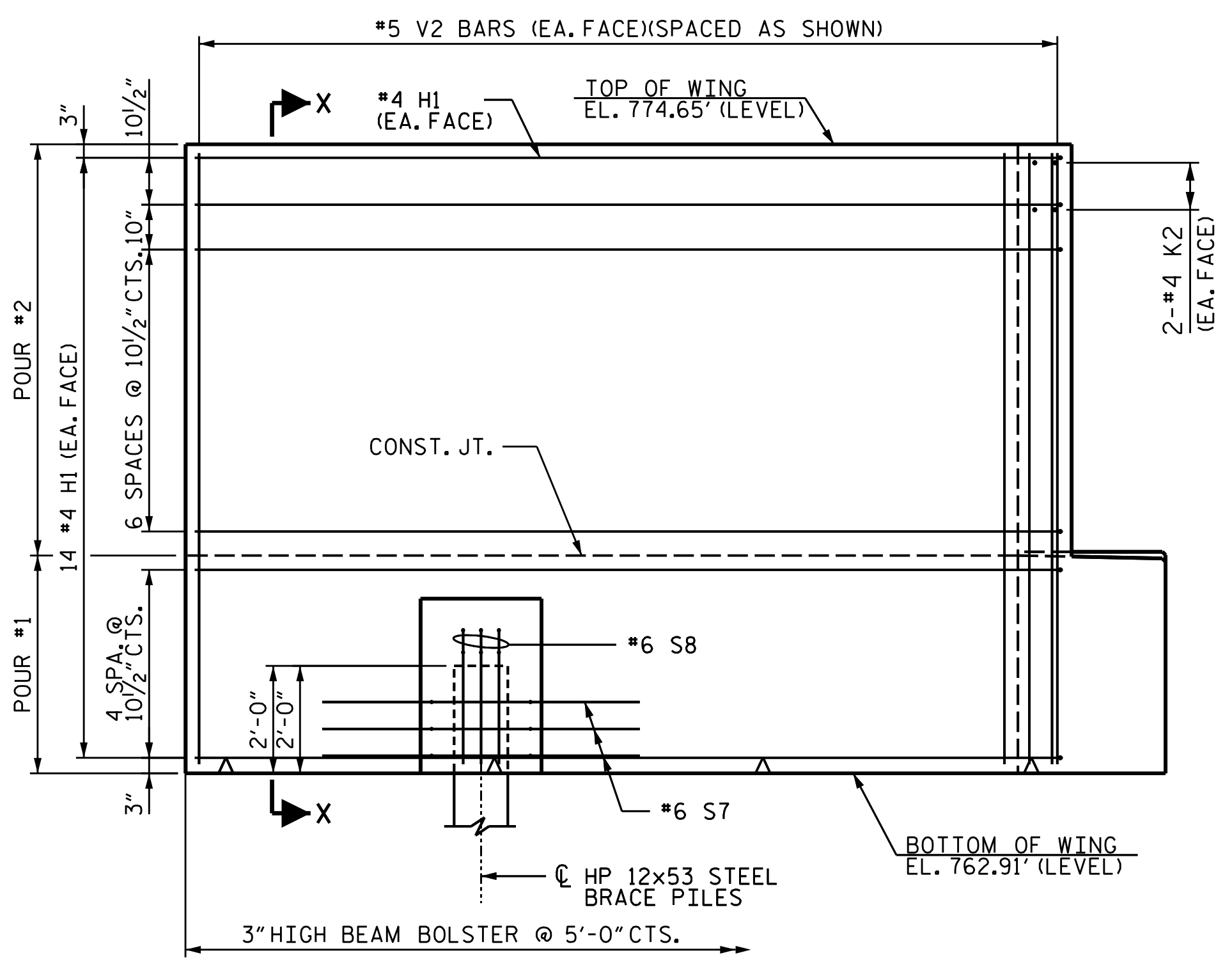


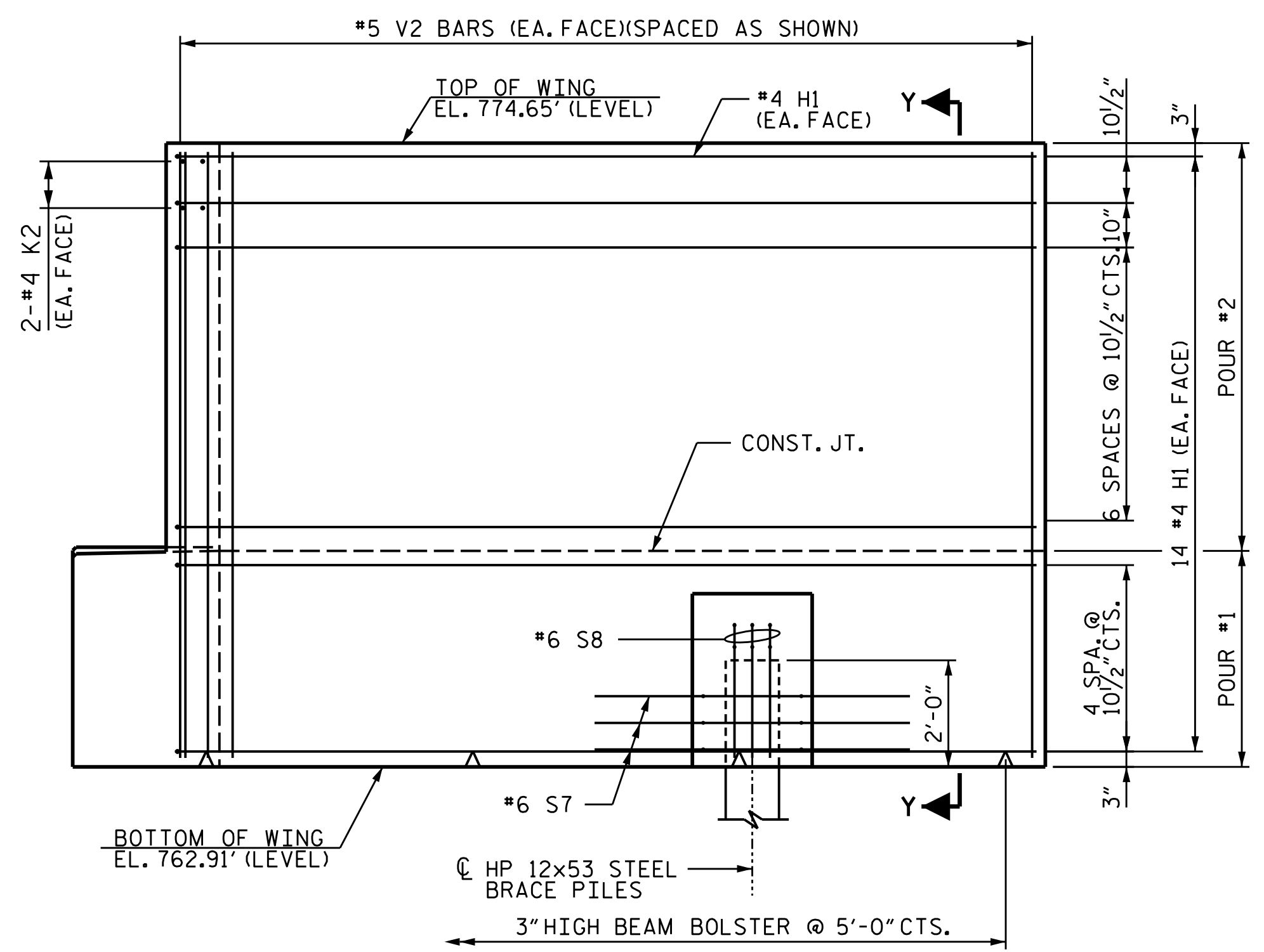
PLAN OF WING (W3)



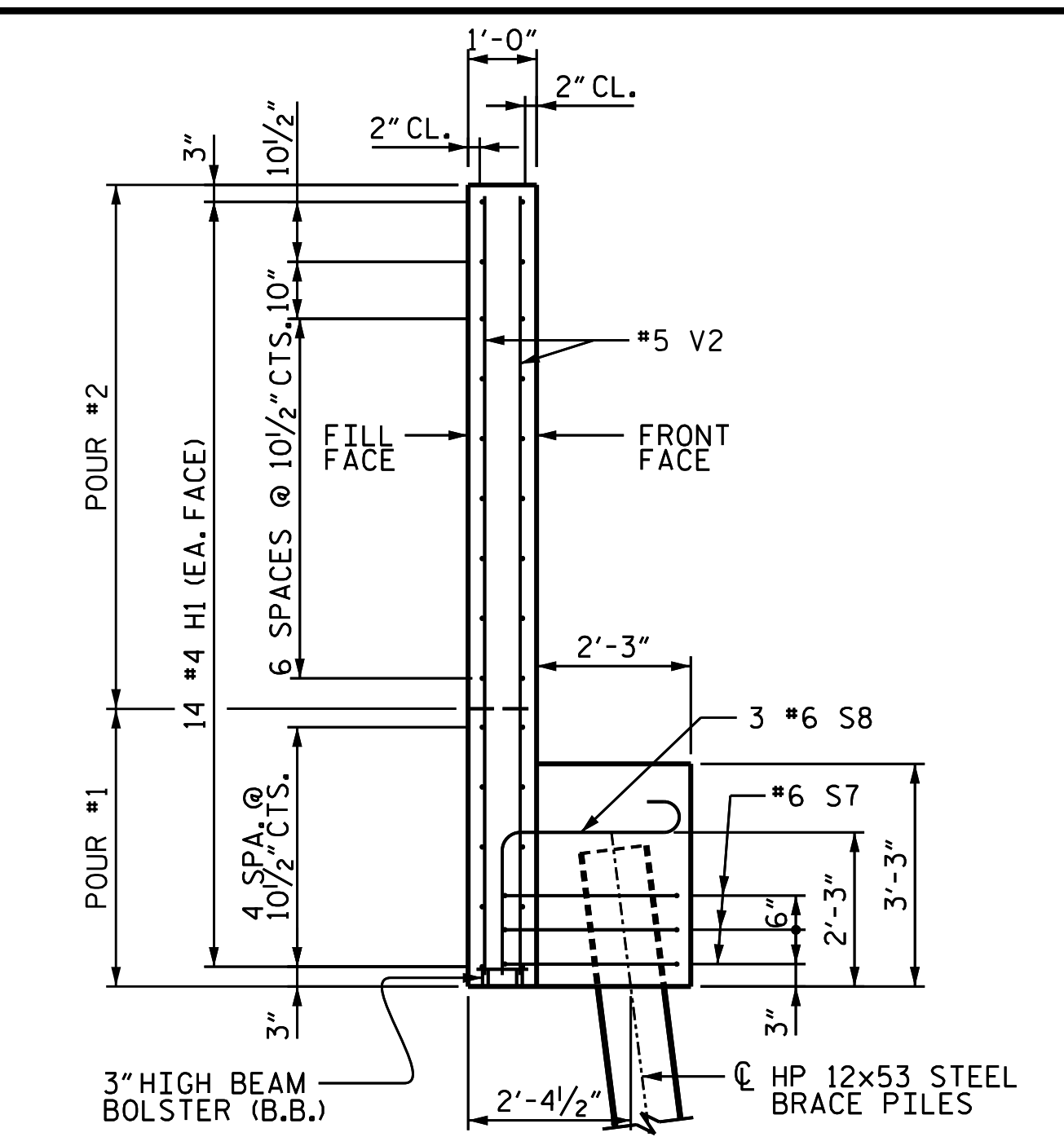
PLAN OF WING (W4)



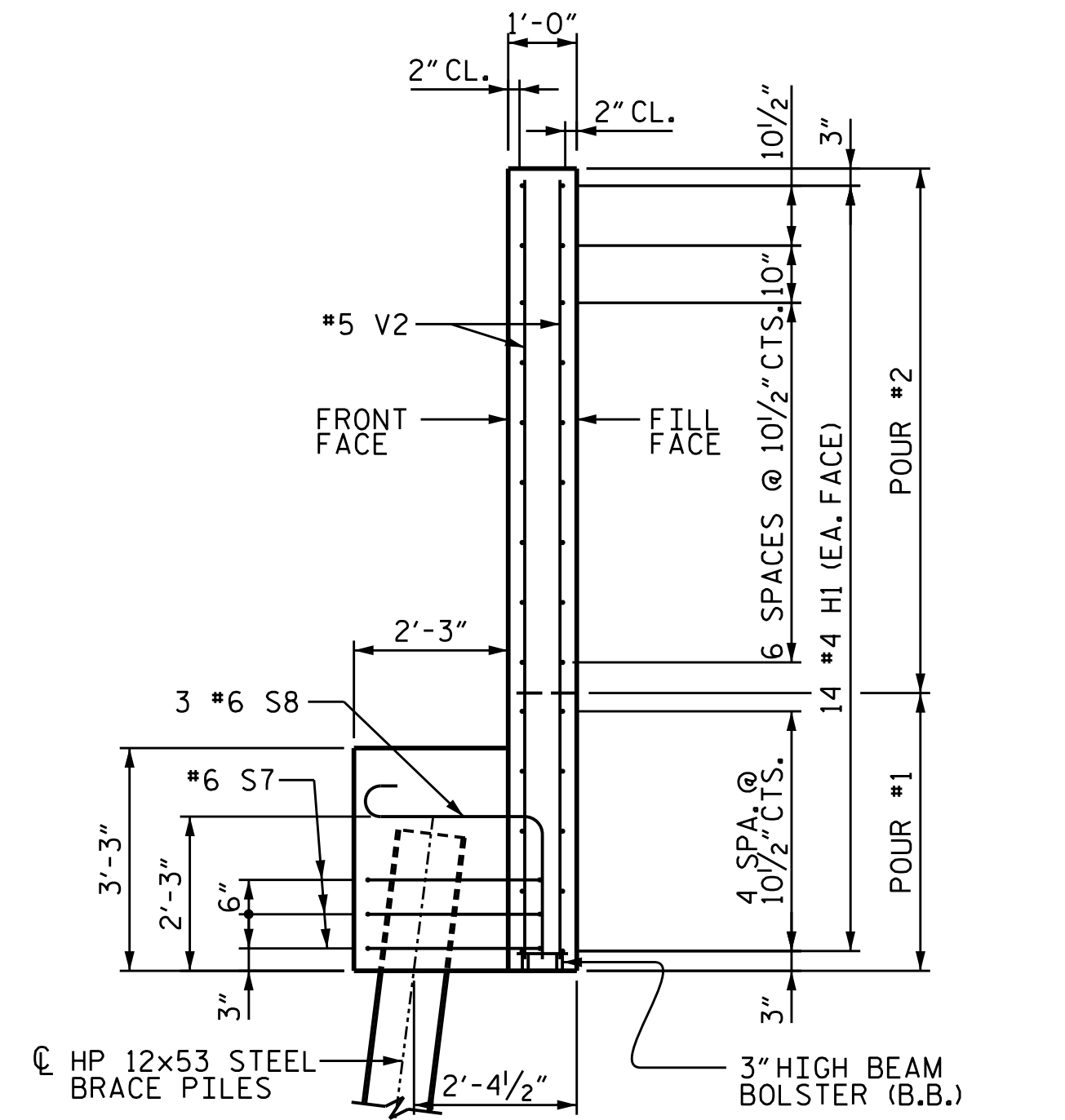
ELEVATION OF WING (W3)



ELEVATION OF WING (W4)



SECTION X-X



SECTION Y-Y

PROJECT NO. B-5825
 YADKIN/FORSYTH COUNTY
 STATION: 34+65.50-L-
 SHEET 2 OF 3

STATE OF NORTH CAROLINA
 DEPARTMENT OF TRANSPORTATION
 RALEIGH

END BENT No. 2
 WING DETAILS

4/14/2020

DOCUMENT NOT CONSIDERED FINAL
 UNLESS ALL SIGNATURES COMPLETED

ICGS ENGINEERS
 804-C N. LAFAYETTE ST
 SHELBY, NC 28150
 PH (704) 476-0003
 CORP. LICENSE NO.: C-0275

REVISIONS						SHEET NO.
NO.	BY:	DATE:	NO.	BY:	DATE:	S-56
1			3			TOTAL SHEETS
2			4			60

DRAWN BY: JLA DATE: 11/19
 CHECKED BY: RAR DATE: 12/19
 DESIGN ENGINEER OF RECORD: TBE DATE: 2/20