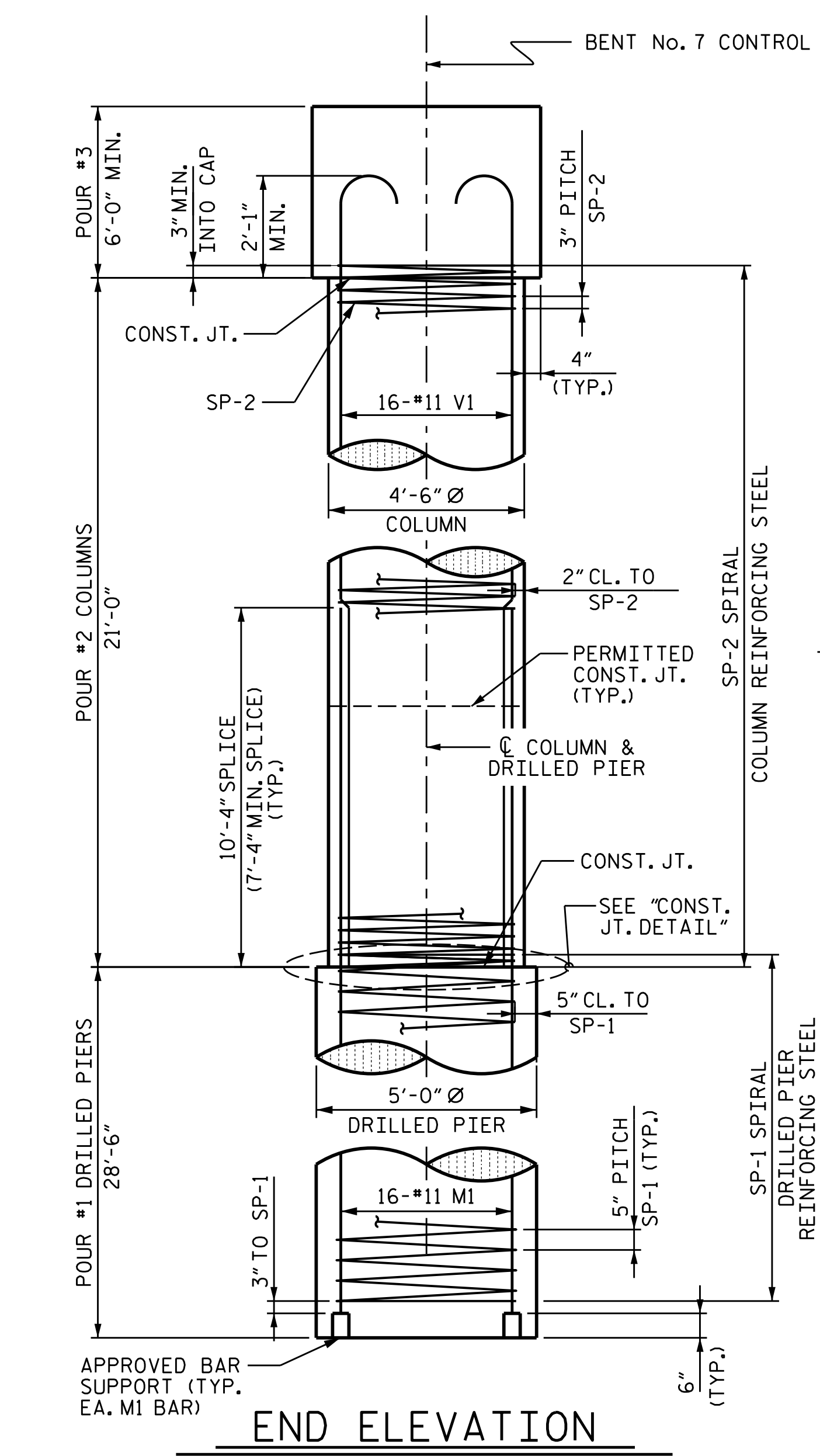
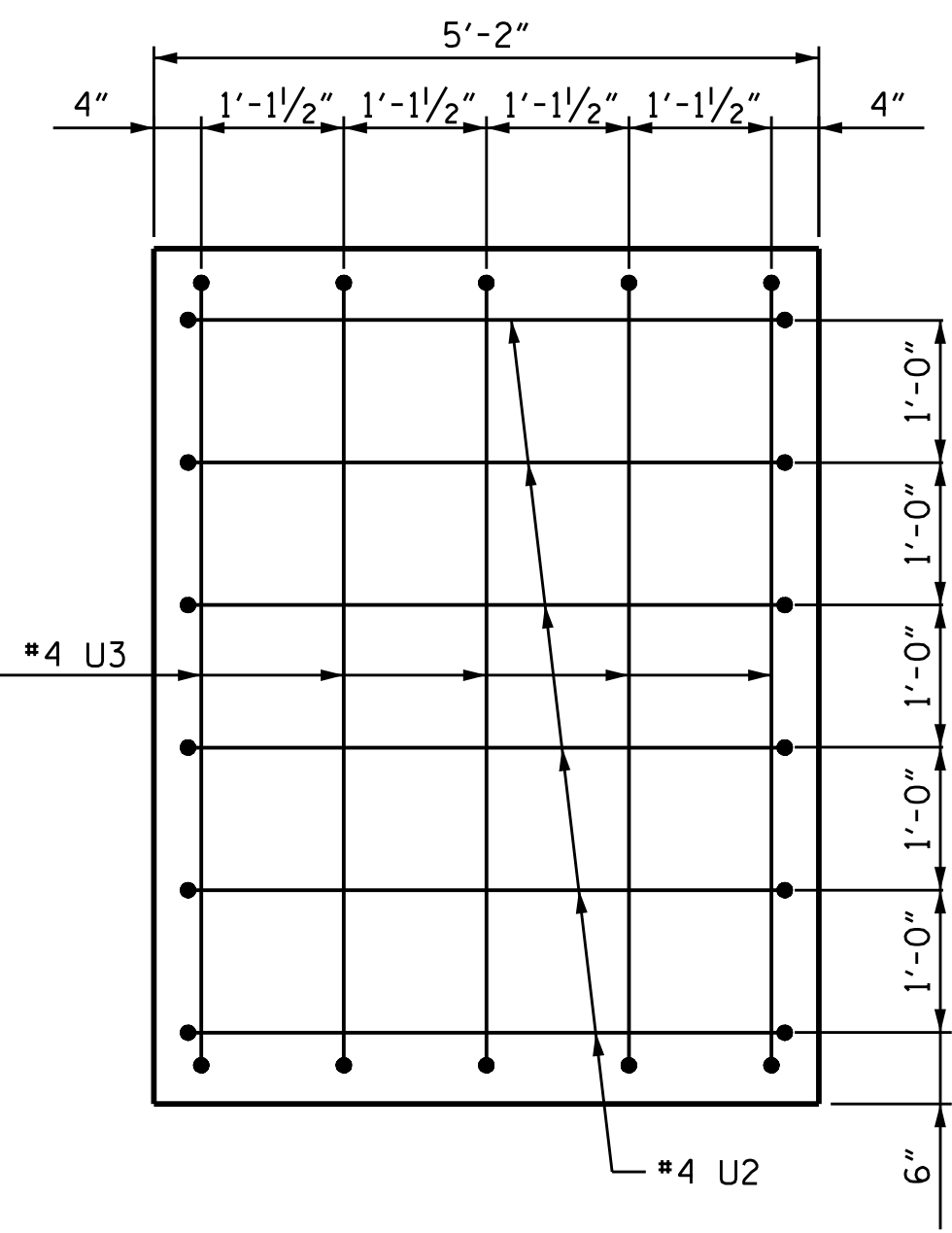


PLAN OF DRILLED PIERS & COLUMNS

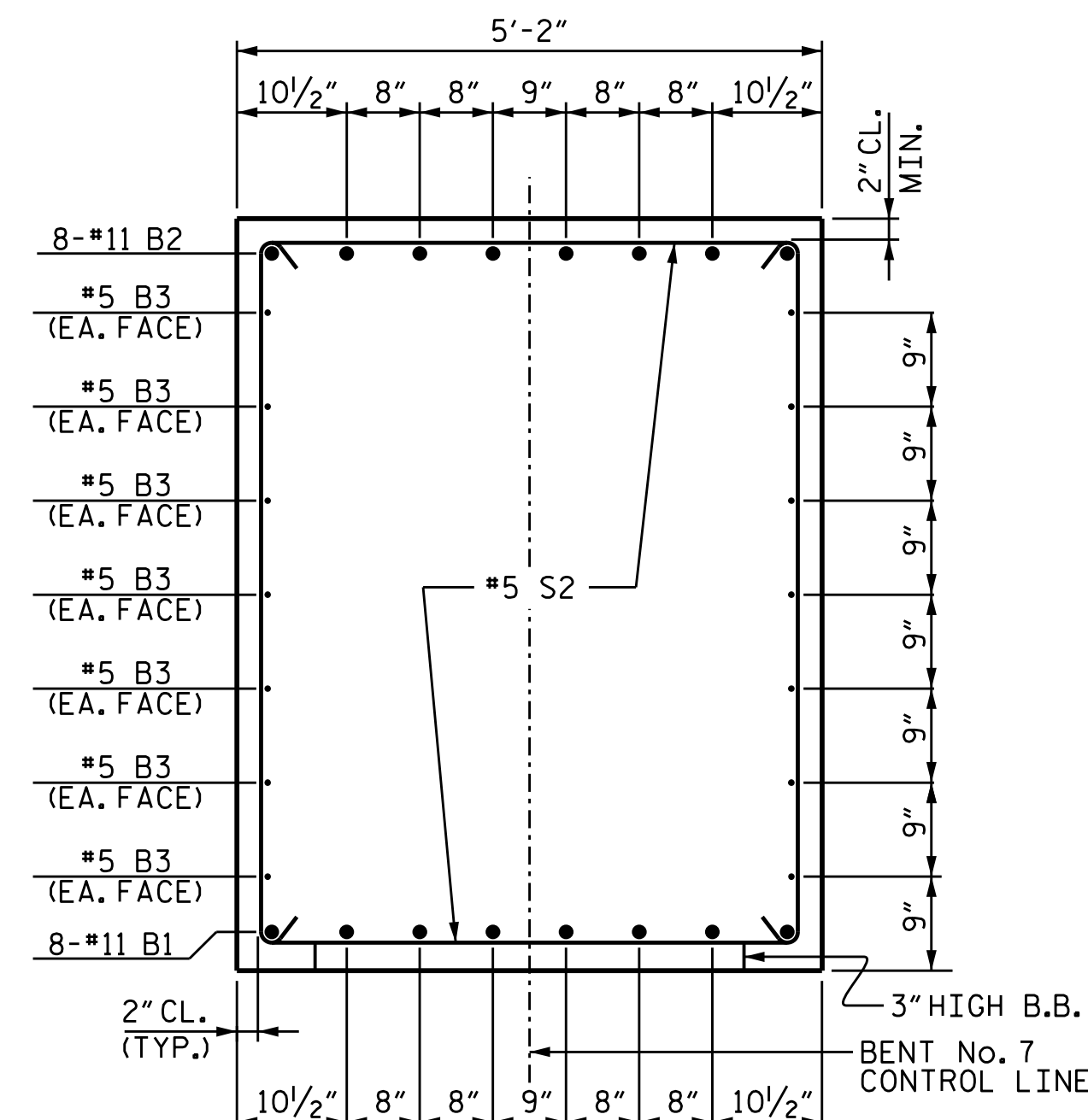
DIMENSIONS AND REINFORCING STEEL ARE TYPICAL FOR EACH COLUMN & DRILLED PIER.



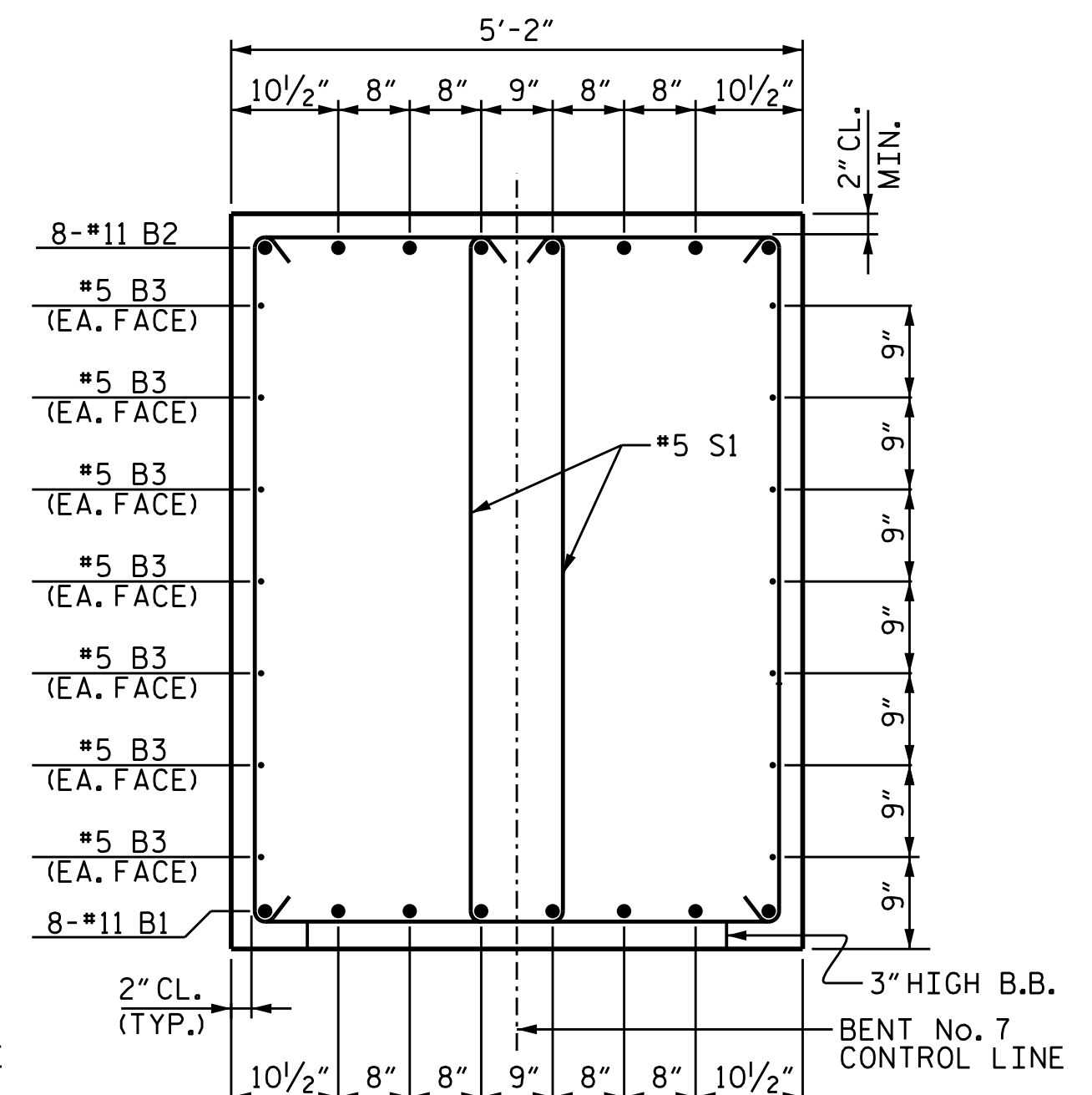
END ELEVATION



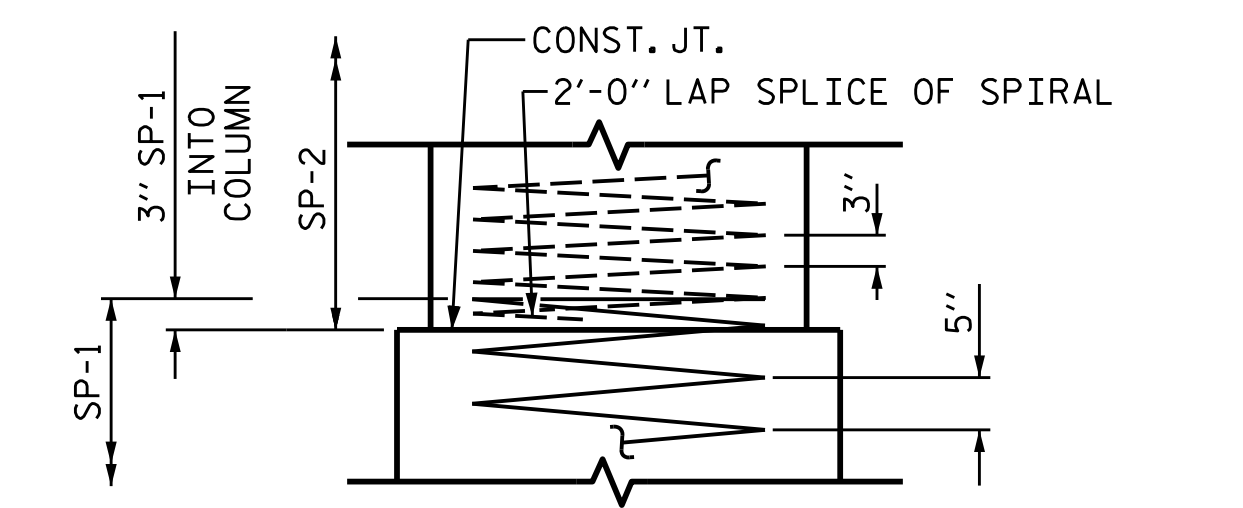
END VIEW



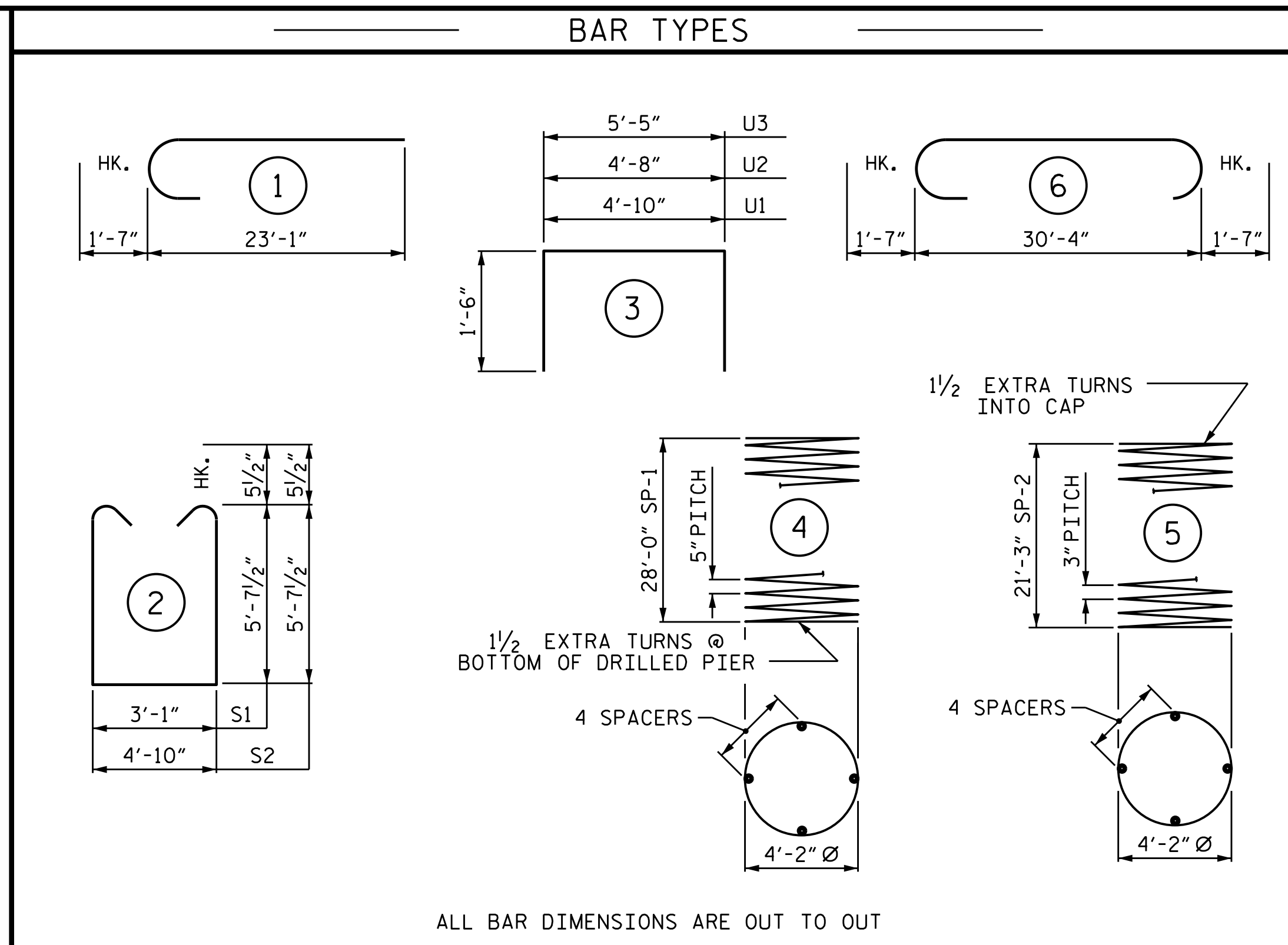
SECTION A-A



SECTION B-B



CONSTRUCTION JOINT DETAIL



ALL BAR DIMENSIONS ARE OUT TO OUT

BILL OF MATERIAL FOR BENT No. 7					
BAR	NO.	SIZE	TYPE	LENGTH	WEIGHT
B1	8	#11	STR	30'-6"	1,296
B2	8	#11	6	33'-6"	1,424
B3	14	#5	STR	30'-6"	445
M1	32	#11	STR	38'-4"	6,517
S1	52	#5	2	15'-3"	827
S2	11	#5	2	17'-0"	195
U1	28	#4	3	7'-10"	147
U2	12	#4	3	7'-8"	61
U3	10	#4	3	8'-5"	56
V1	32	#11	1	24'-8"	4,194
REINFORCING STEEL					15,162 LBS.
SP-1	2	*	4	892'-5"	1,862
SP-2	2	**	5	1,127'-8"	1,507
SPIRAL COLUMN REINFORCING STEEL					3,369 LBS.

CLASS A CONCRETE BREAKDOWN	
POUR #2 (COLUMNS)	24.7 C.Y.
POUR #3 (CAP)	35.9 C.Y.
TOTAL CLASS A CONCRETE	60.6 C.Y.

DRILLED PIERS:	
DRILLED PIER CONCRETE POUR #1	41.5 C.Y.
5'-0" Ø DRILLED PIERS IN SOIL	33.00 LIN. FT.
5'-0" Ø DRILLED PIERS NOT IN SOIL	24.00 LIN. FT.
PERMANENT STEEL CASING FOR 5'-0" Ø DRILLED PIERS	32.00 LIN. FT.
CSL TUBES	300.00 LIN. FT.

PROJECT NO. B-5825
 YADKIN/FORSYTH COUNTY
 STATION: 34+65.50-L-
 SHEET 2 OF 2

STATE OF NORTH CAROLINA
 DEPARTMENT OF TRANSPORTATION
 RALEIGH

SEAL
 20125
 ENGINEER
 MARSHALL G. CHECKER, JR.
 4/14/2020

DOCUMENT NOT CONSIDERED FINAL UNLESS ALL SIGNATURES COMPLETED

TGS ENGINEERS
 706 HILLSBOROUGH STREET
 SUITE 200
 RALEIGH, NC 27603
 PH (919) 773-8887
 CORP. LICENSE NO.: C-0275

REVISIONS						SHEET NO.
NO.	BY:	DATE:	NO.	BY:	DATE:	S-52
1			3			TOTAL SHEETS
2			4			60

DRAWN BY :	TBE	DATE :	10/19
CHECKED BY :	MGC	DATE :	1/20
DESIGN ENGINEER OF RECORD:	TBE	DATE :	2/20