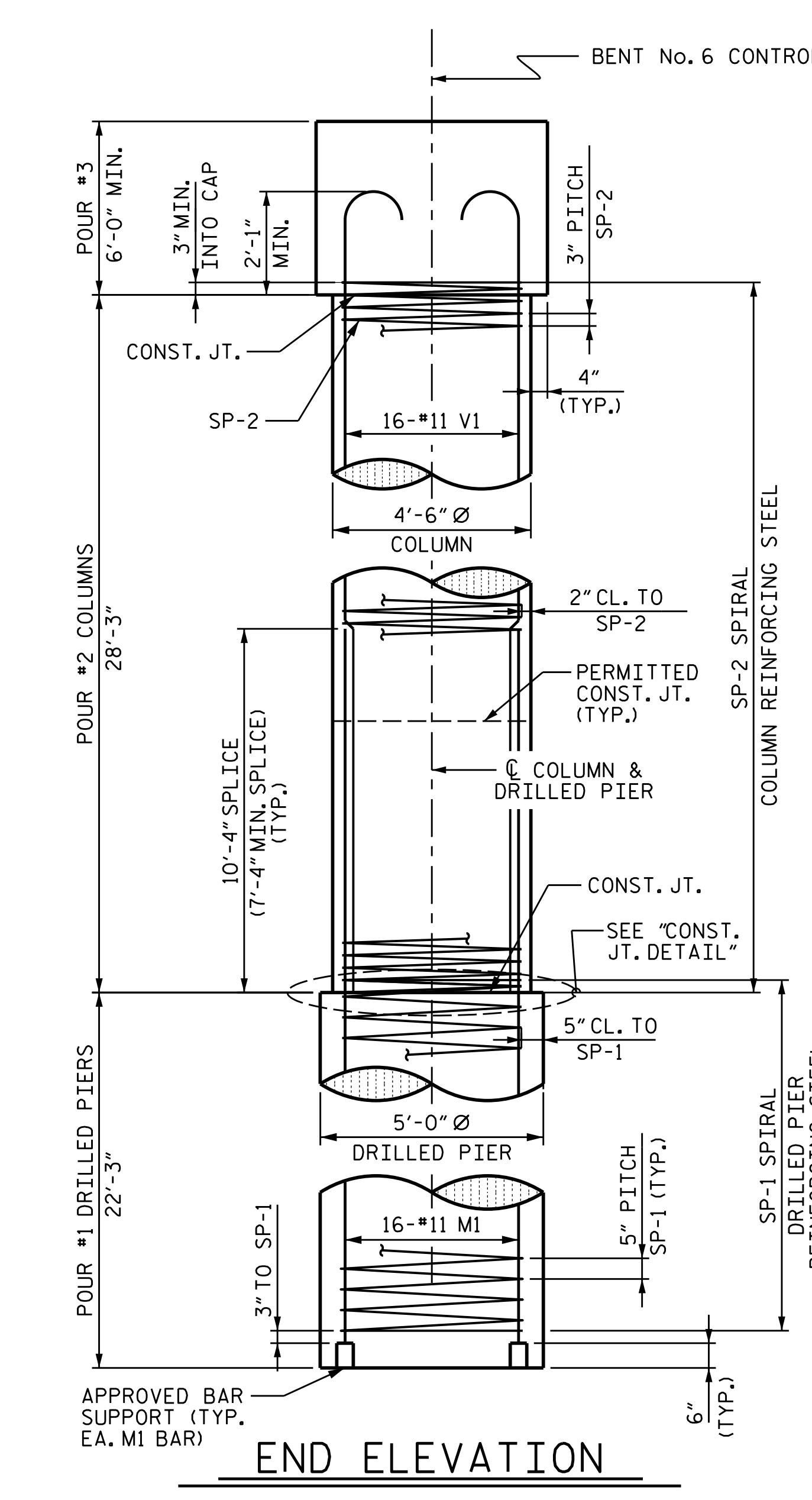
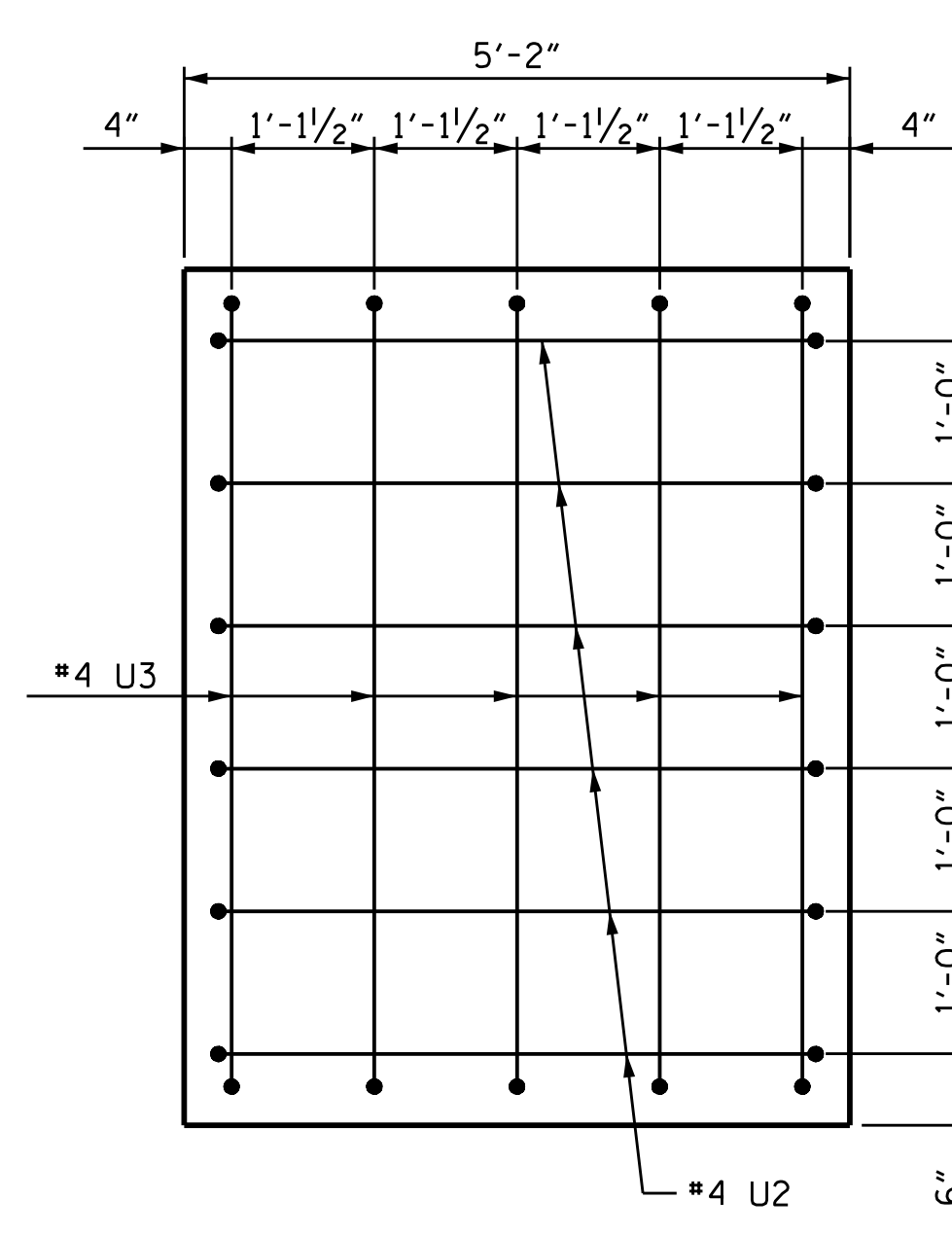


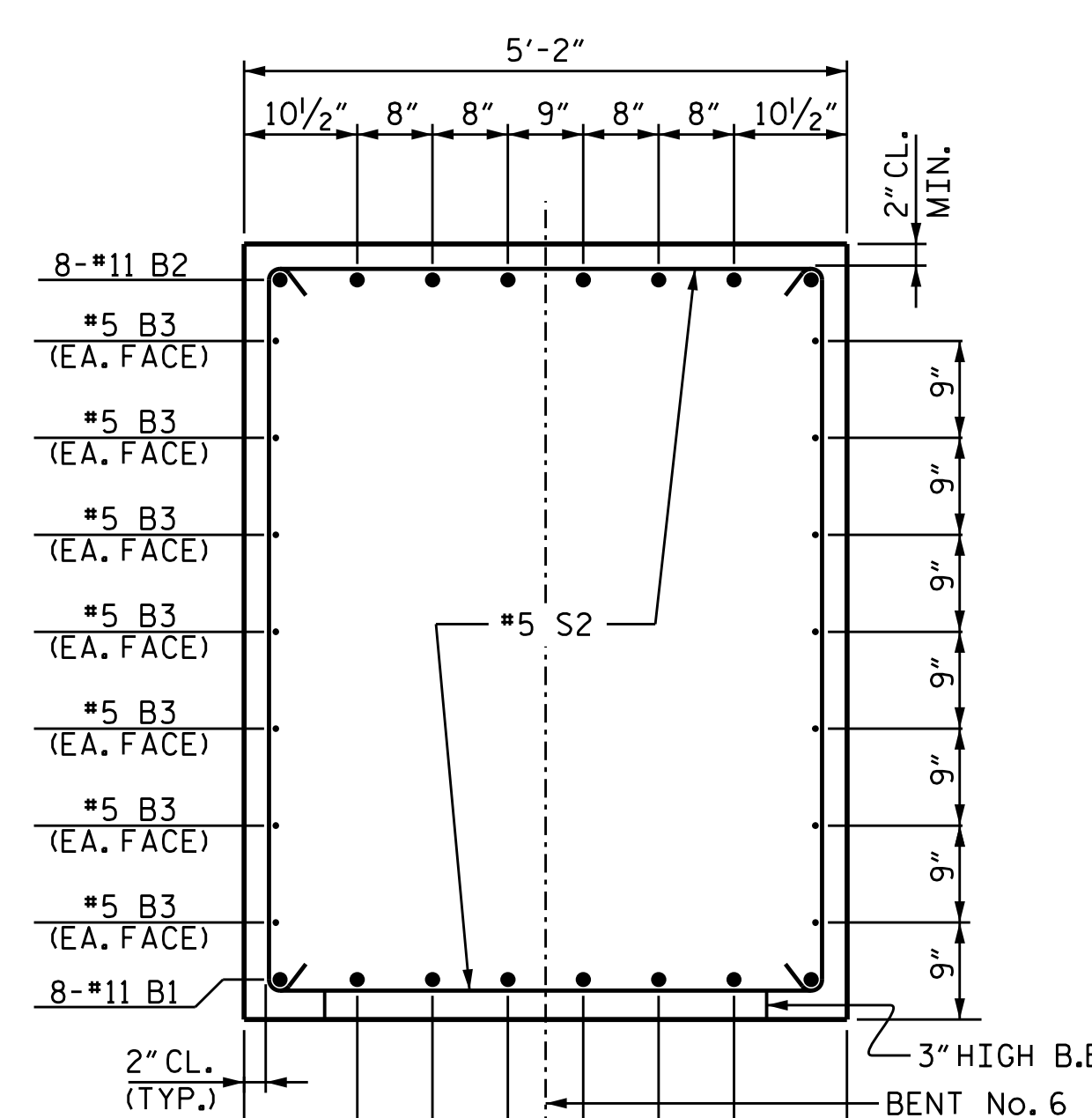
PLAN OF DRILLED PIERS & COLUMNS
DIMENSIONS AND REINFORCING STEEL ARE TYPICAL FOR EACH COLUMN & DRILLED PIER.



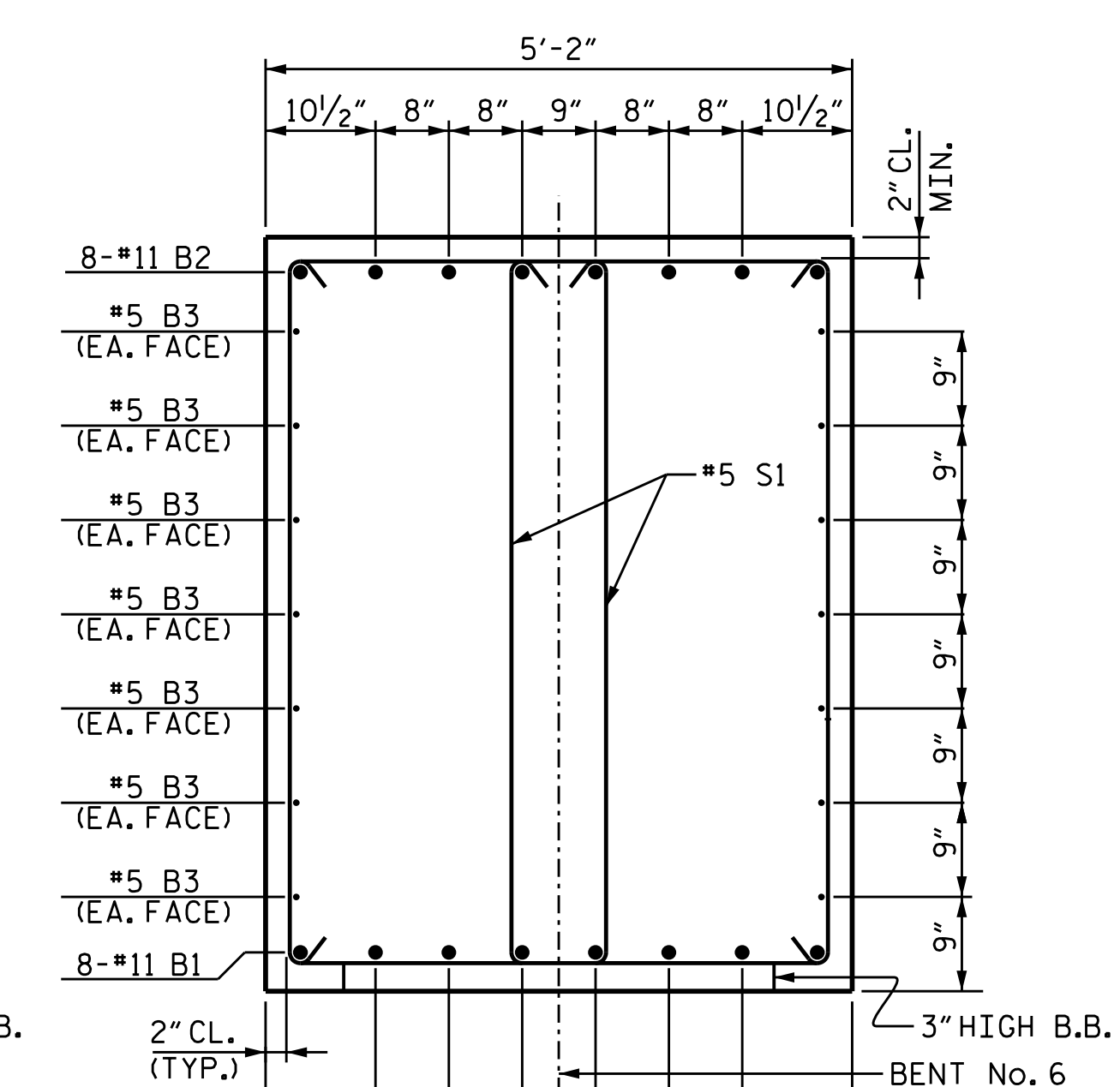
END ELEVATION



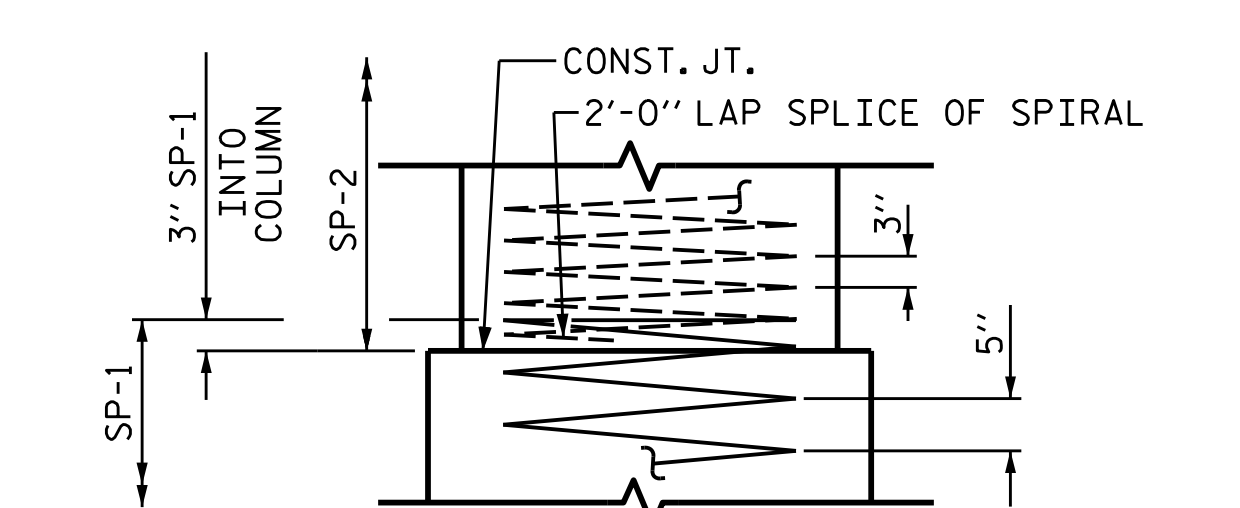
END VIEW



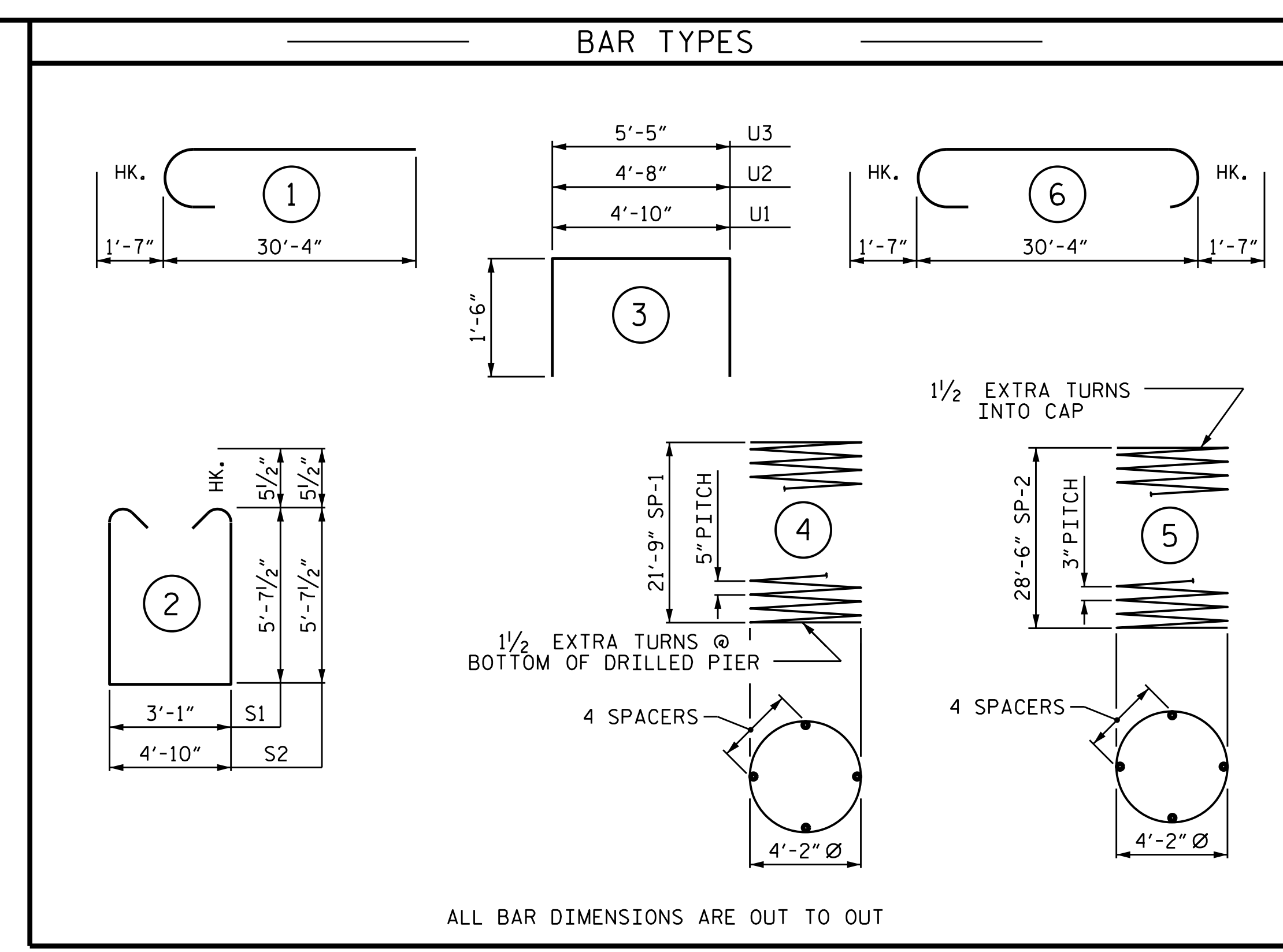
SECTION A-A



SECTION B-B



CONSTRUCTION JOINT DETAIL



ALL BAR DIMENSIONS ARE OUT TO OUT

BILL OF MATERIAL FOR BENT No. 6

BAR	NO.	SIZE	TYPE	LENGTH	WEIGHT
B1	8	#11	STR	30'-6"	1,296
B2	8	#11	6	33'-6"	1,424
B3	14	#5	STR	30'-6"	445
M1	32	#11	STR	32'-1"	5,455
S1	52	#5	2	15'-3"	827
S2	11	#5	2	17'-0"	195
U1	28	#4	3	7'-10"	147
U2	12	#4	3	7'-8"	61
U3	10	#4	3	8'-5"	56
V1	32	#11	1	31'-11"	5,426

REINFORCING STEEL 15,332 LBS.

SP-1	2	*	4	698'-5"	1,457
SP-2	2	**	5	1,503'-7"	2,009

SPIRAL COLUMN REINFORCING STEEL 3,466 LBS.

* THE SP-1 SPIRAL REINFORCING STEEL SHALL BE W31 OR D-31 COLD DRAWN WIRE OR #5 PLAIN OR DEFORMED BAR
* THE SP-2 SPIRAL REINFORCING STEEL SHALL BE W20 OR D-20 COLD DRAWN WIRE OR #4 PLAIN OR DEFORMED BAR

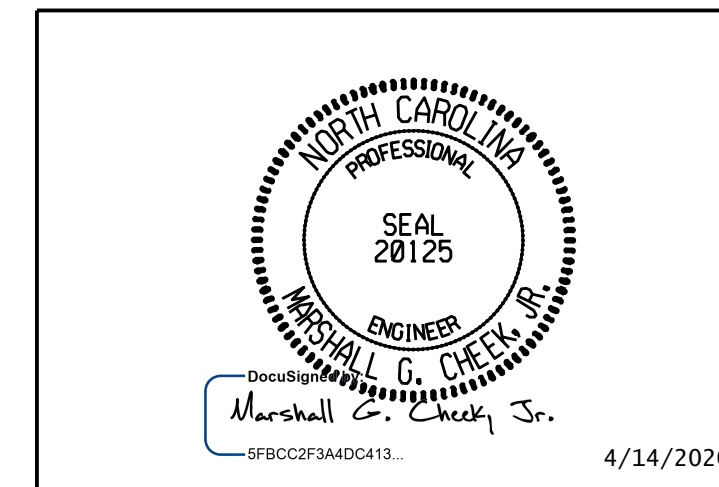
CLASS A CONCRETE BREAKDOWN

POUR #2 (COLUMNS)	33.3 C.Y.
POUR #3 (CAP)	35.9 C.Y.
TOTAL CLASS A CONCRETE	69.2 C.Y.

DRILLED PIERS:

DRILLED PIER CONCRETE POUR #1	32.4 C.Y.
5'-0" Ø DRILLED PIERS IN SOIL	15.50 LIN. FT.
5'-0" Ø DRILLED PIERS NOT IN SOIL	29.00 LIN. FT.
PERMANENT STEEL CASING FOR 5'-0" Ø DRILLED PIERS	16.48 LIN. FT.
CSL TUBES	237.50 LIN. FT.

PROJECT NO. B-5825
YADKIN/FORSYTH COUNTY
STATION: 34+65.50-L-
SHEET 2 OF 2



DOCUMENT NOT CONSIDERED FINAL UNLESS ALL SIGNATURES COMPLETED
TGS ENGINEERS
706 HILLSBOROUGH STREET SUITE 200
RALEIGH, NC 27603
PH (919) 773-8887
CORP. LICENSE NO.: C-0275

REVISIONS						SHEET NO.
NO.	BY:	DATE:	NO.	BY:	DATE:	S-50
1			3			TOTAL SHEETS
2			4			60

DRAWN BY: TBE DATE: 10/19
CHECKED BY: MGC DATE: 1/20
DESIGN ENGINEER OF RECORD: TBE DATE: 2/20