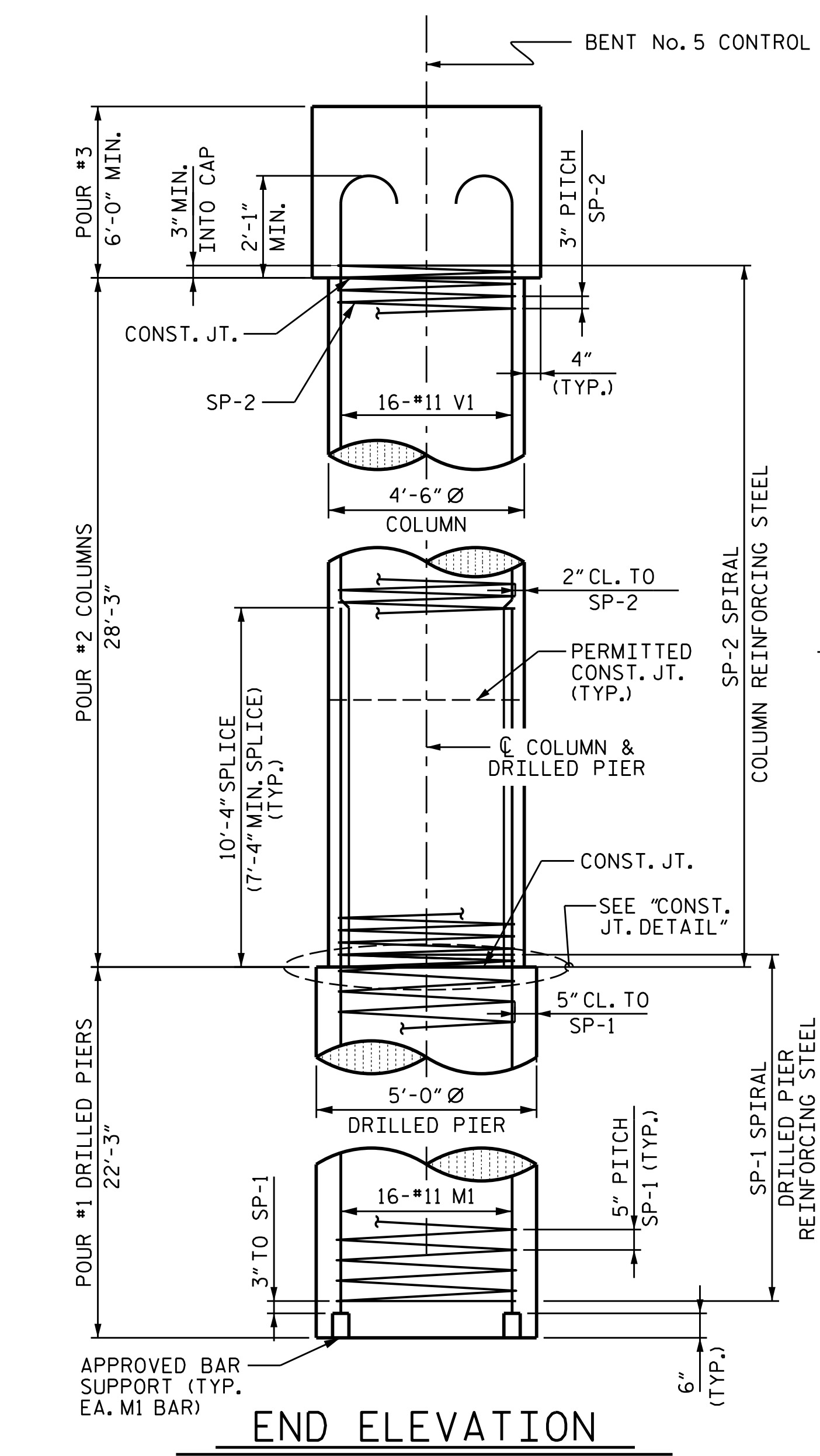
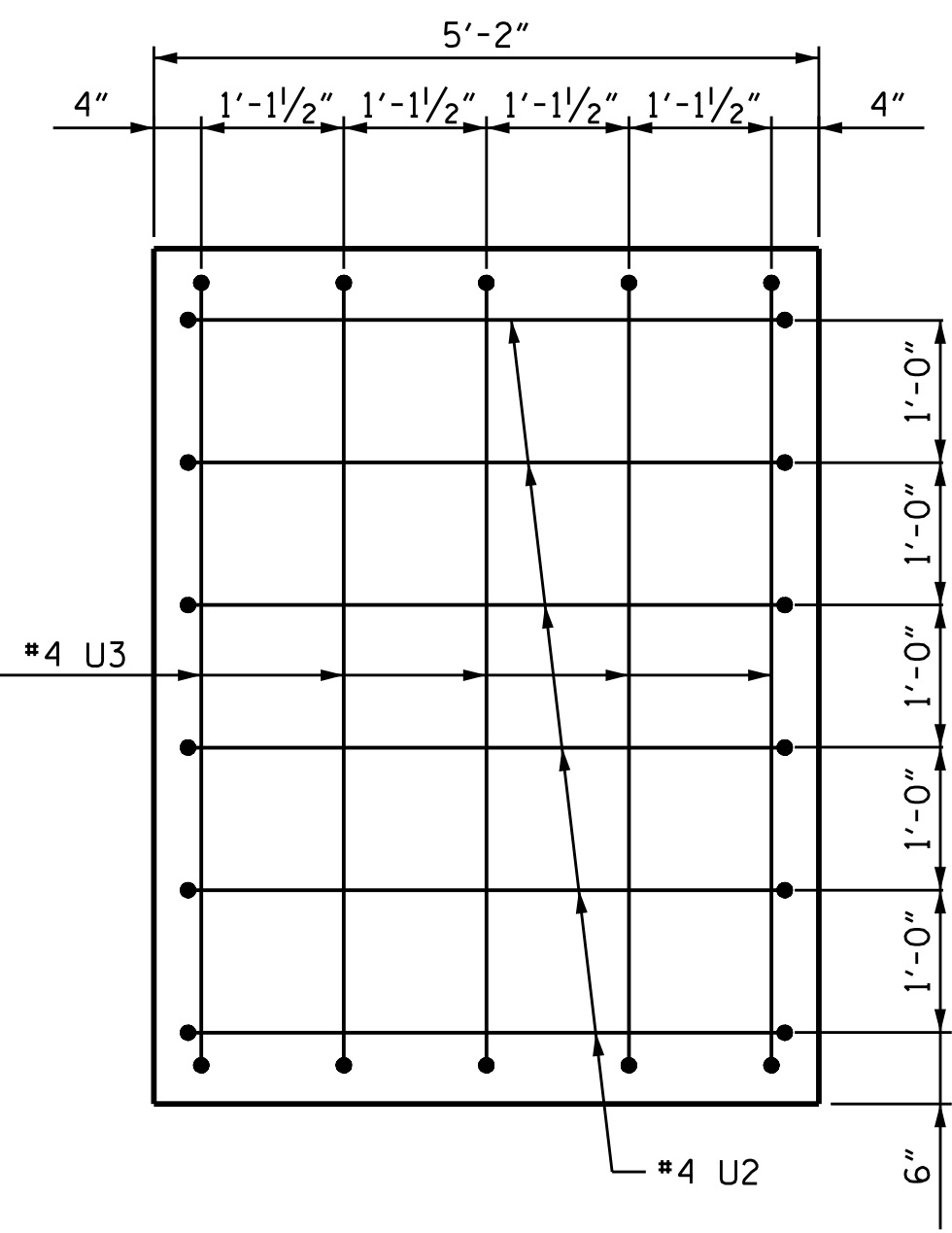


**PLAN OF DRILLED PIERS & COLUMNS**

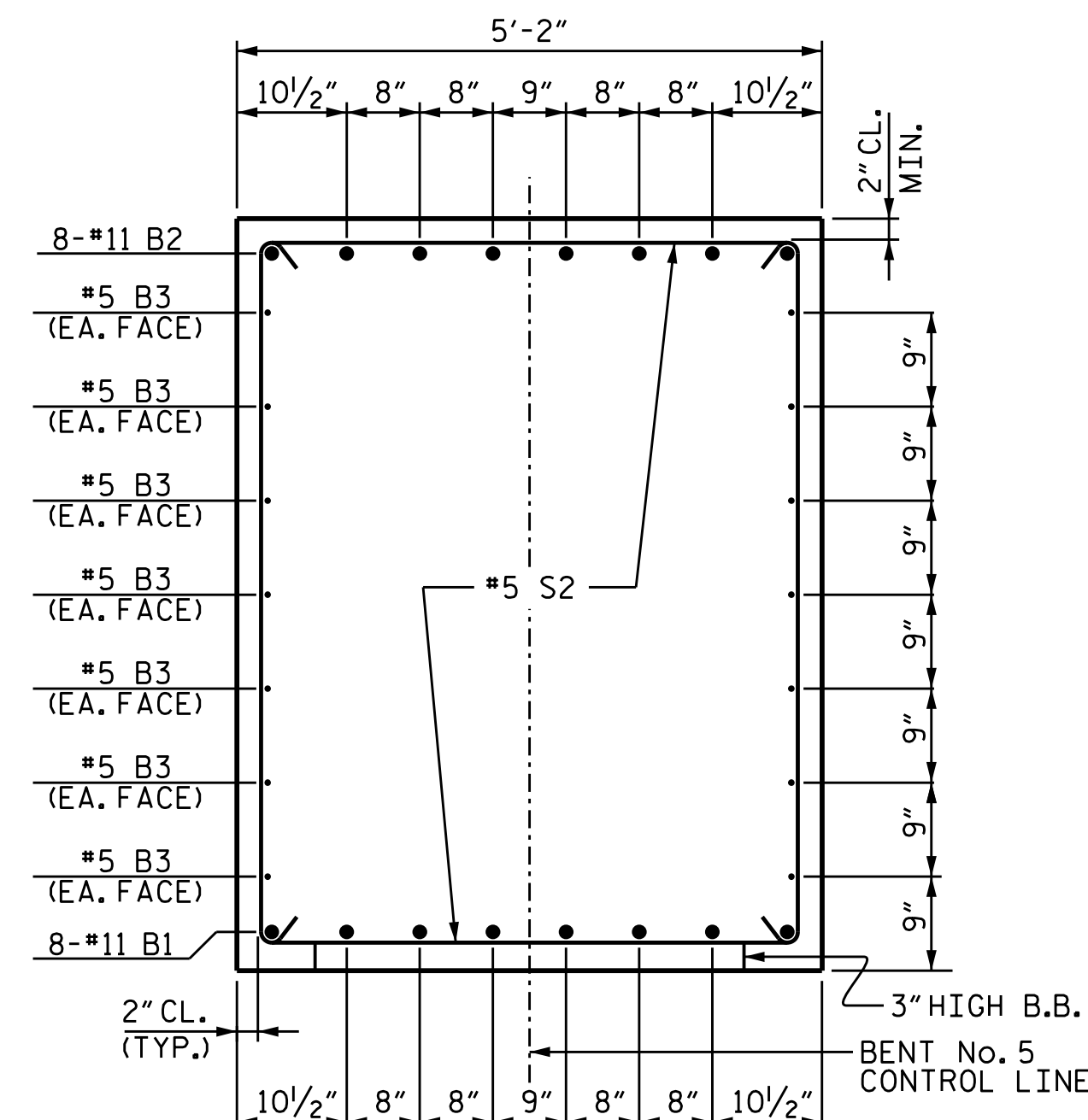
DIMENSIONS AND REINFORCING STEEL ARE TYPICAL FOR EACH COLUMN & DRILLED PIER.



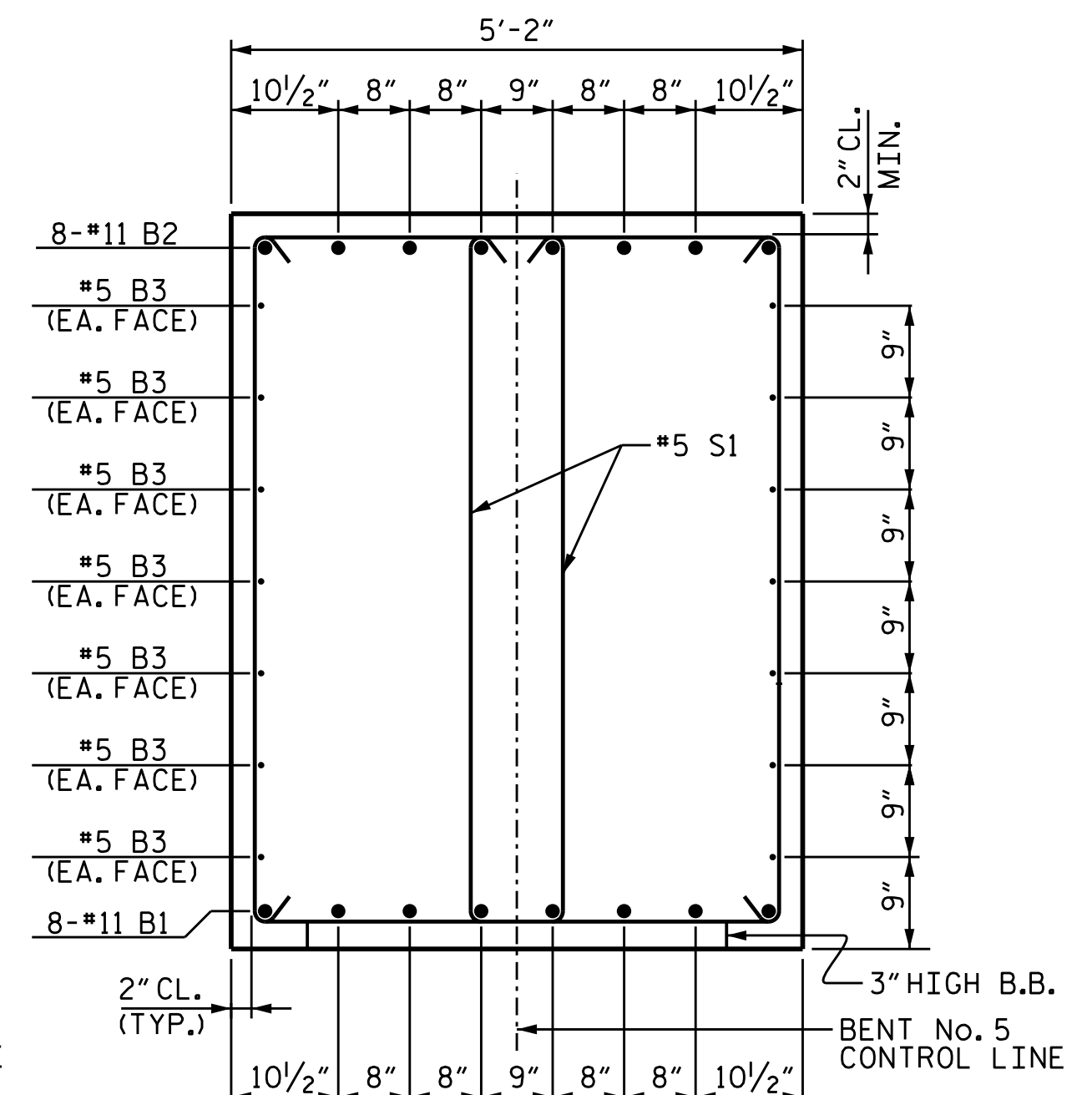
**END ELEVATION**



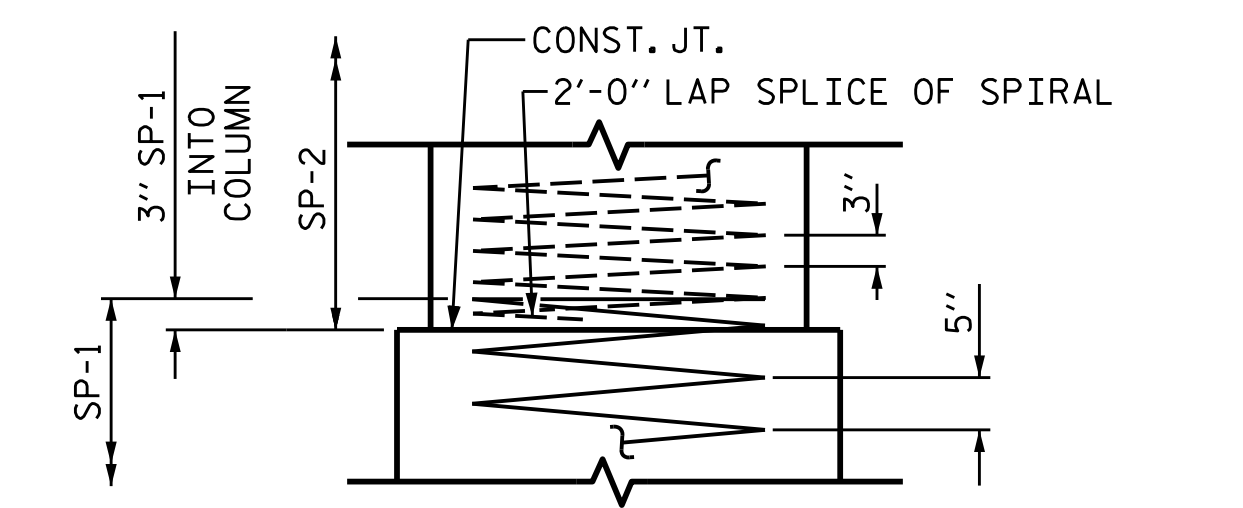
**END VIEW**



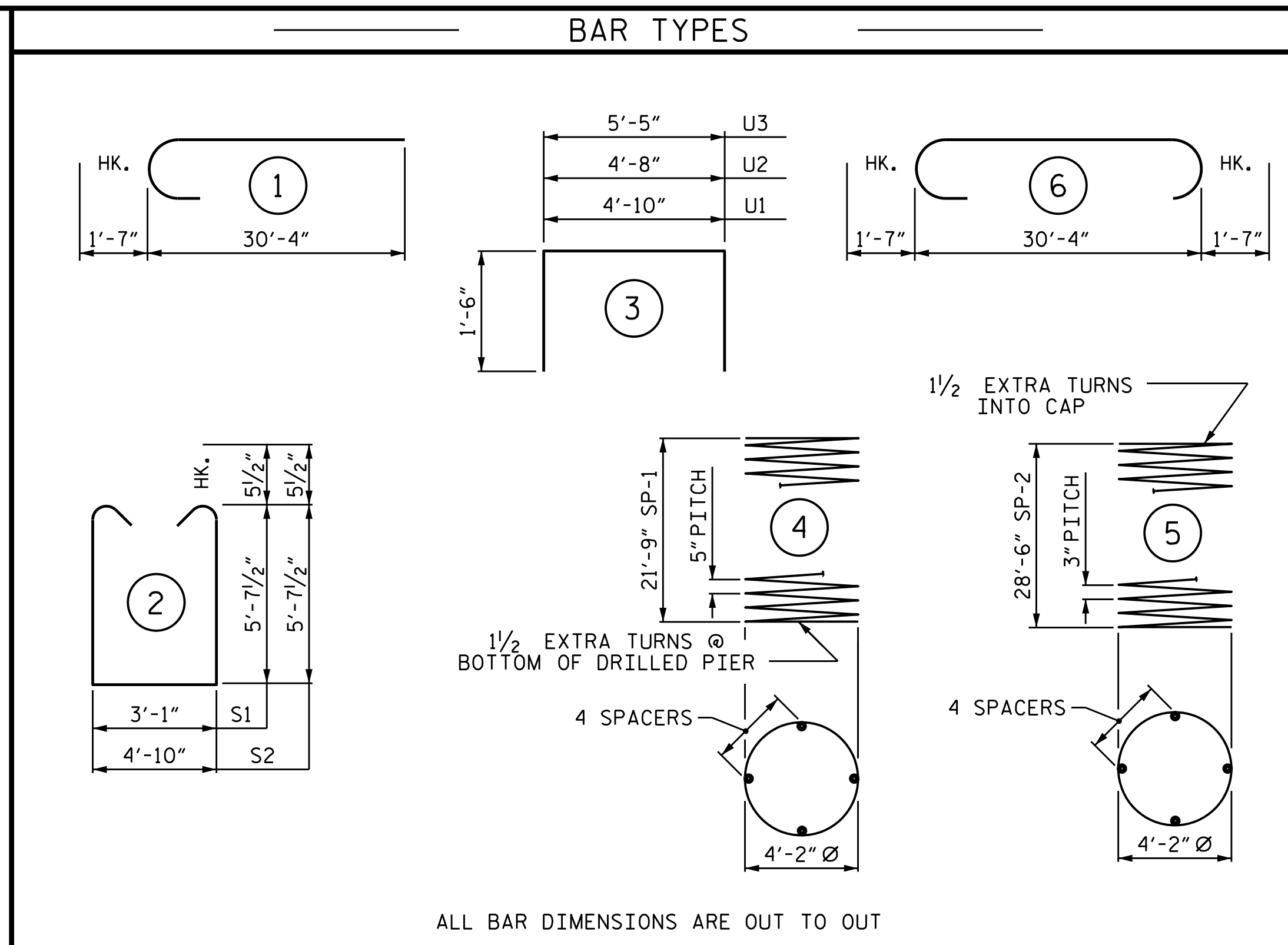
**SECTION A-A**



**SECTION B-B**



**CONSTRUCTION JOINT DETAIL**



ALL BAR DIMENSIONS ARE OUT TO OUT

BILL OF MATERIAL FOR BENT No. 5					
BAR	NO.	SIZE	TYPE	LENGTH	WEIGHT
B1	8	#11	STR	30'-6"	1,296
B2	8	#11	6	33'-6"	1,424
B3	14	#5	STR	30'-6"	445
M1	32	#11	STR	32'-1"	5,455
S1	52	#5	2	15'-3"	827
S2	11	#5	2	17'-0"	195
U1	28	#4	3	7'-10"	147
U2	12	#4	3	7'-8"	61
U3	10	#4	3	8'-5"	56
V1	32	#11	1	31'-11"	5,426
REINFORCING STEEL					15,332 LBS.
SP-1	2	*	4	698'-5"	1,457
SP-2	2	**	5	1,503'-7"	2,009
SPIRAL COLUMN REINFORCING STEEL					3,466 LBS.

CLASS A CONCRETE BREAKDOWN	
POUR #2 (COLUMNS)	33.3 C.Y.
POUR #3 (CAP)	35.9 C.Y.
<b>TOTAL CLASS A CONCRETE</b>	<b>69.2 C.Y.</b>

DRILLED PIERS:	
DRILLED PIER CONCRETE POUR #1	32.4 C.Y.
5'-0" Ø DRILLED PIERS IN SOIL	18.50 LIN. FT.
5'-0" Ø DRILLED PIERS NOT IN SOIL	26.00 LIN. FT.
PERMANENT STEEL CASING FOR 5'-0" Ø DRILLED PIERS	18.44 LIN. FT.
CSL TUBES	237.50 LIN. FT.

PROJECT NO. B-5825  
 YADKIN/FORSYTH COUNTY  
 STATION: 34+65.50-L-  
 SHEET 2 OF 2

STATE OF NORTH CAROLINA  
 DEPARTMENT OF TRANSPORTATION  
 RALEIGH

**SEAL**  
 20125  
 ENGINEER  
 MARSHALL G. CHECK, JR.  
 4/14/2020

DOCUMENT NOT CONSIDERED FINAL UNLESS ALL SIGNATURES COMPLETED

TGS ENGINEERS  
 706 HILLSBOROUGH STREET  
 SUITE 200  
 RALEIGH, NC 27603  
 PH (919) 773-8887  
 CORP. LICENSE NO.: C-0275

REVISIONS						SHEET NO.
NO.	BY:	DATE:	NO.	BY:	DATE:	S-48
1			3			TOTAL SHEETS
2			4			60

DRAWN BY :	TBE	DATE :	10/19
CHECKED BY :	MGC	DATE :	1/20
DESIGN ENGINEER OF RECORD:	TBE	DATE :	2/20