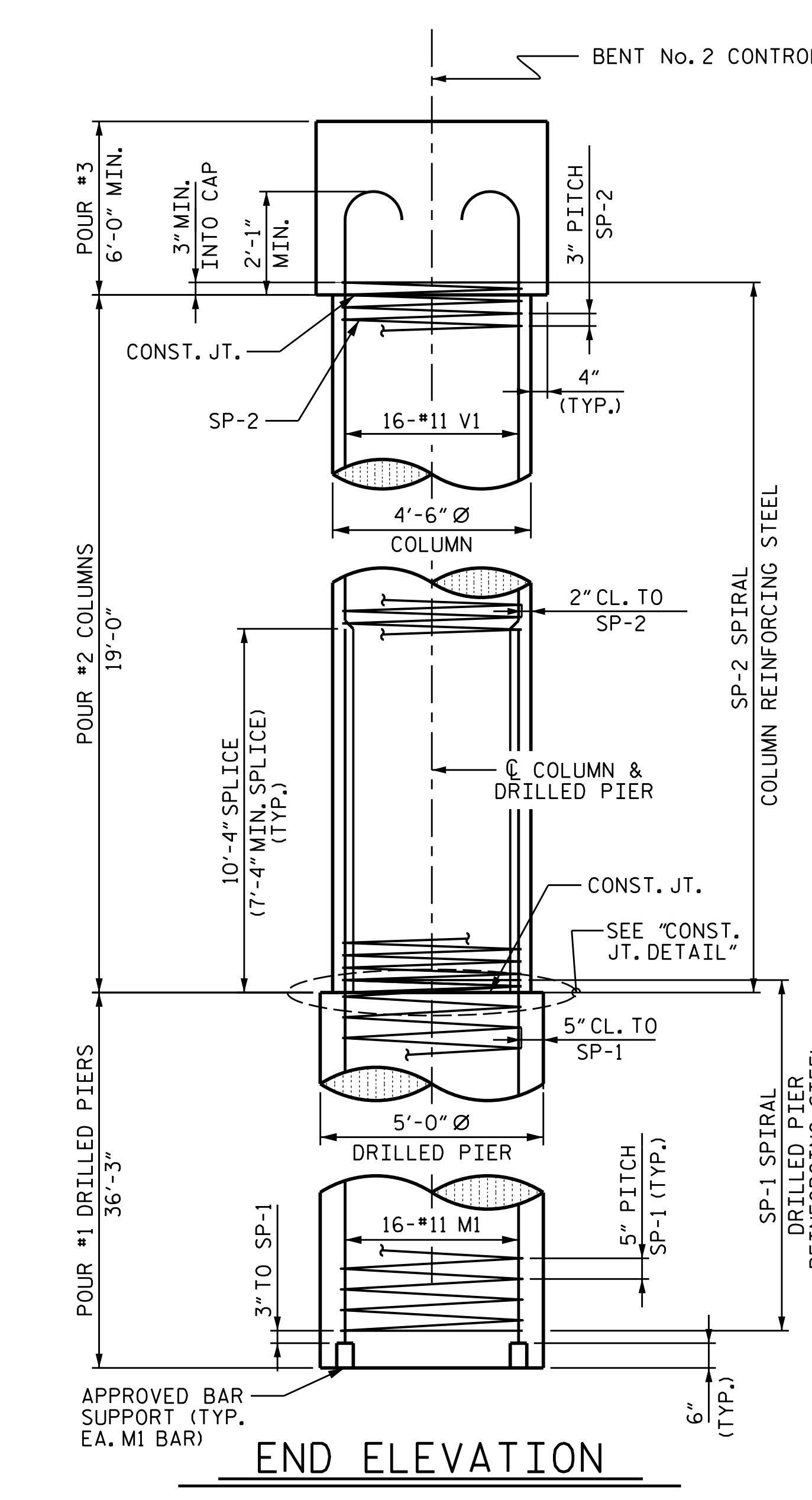
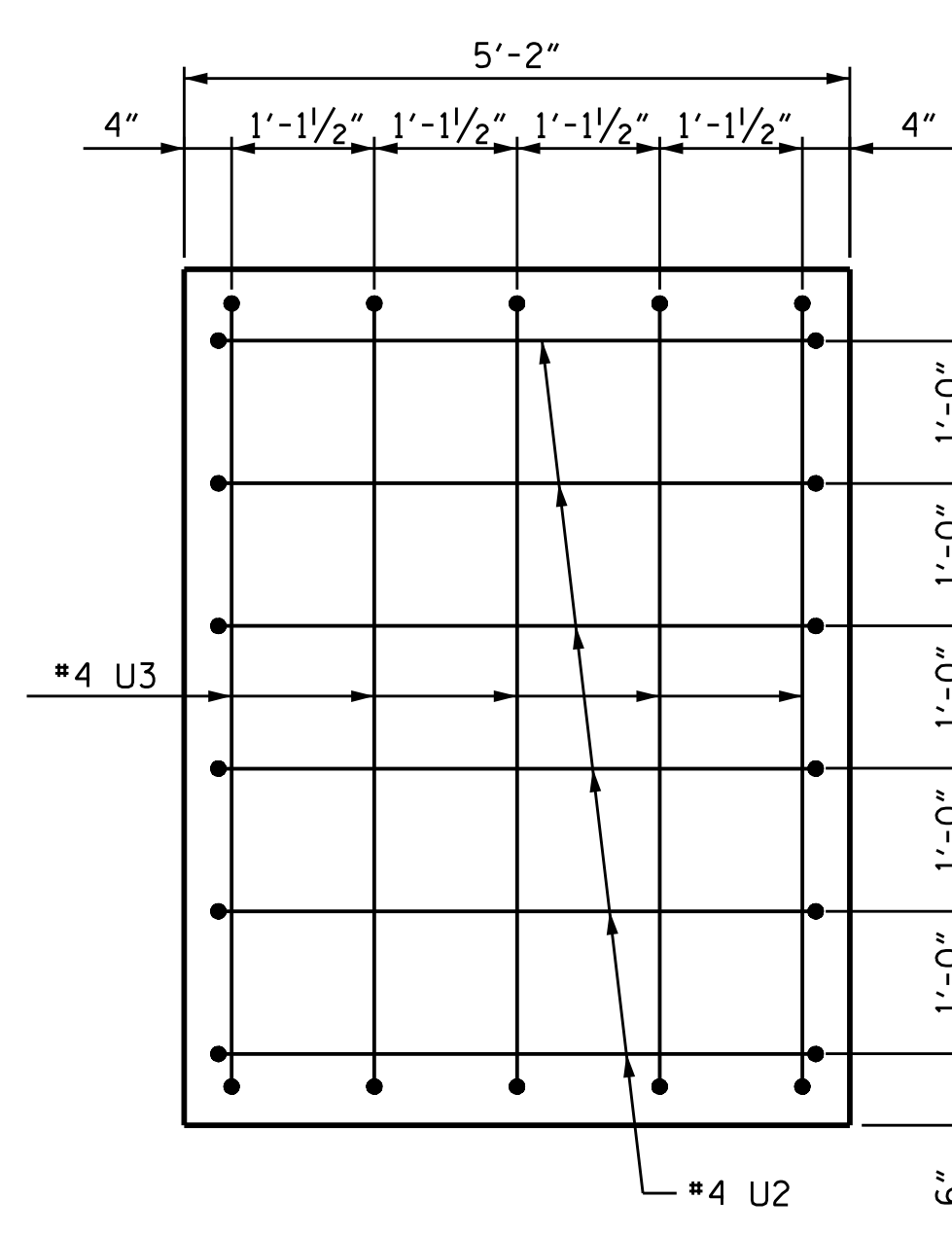


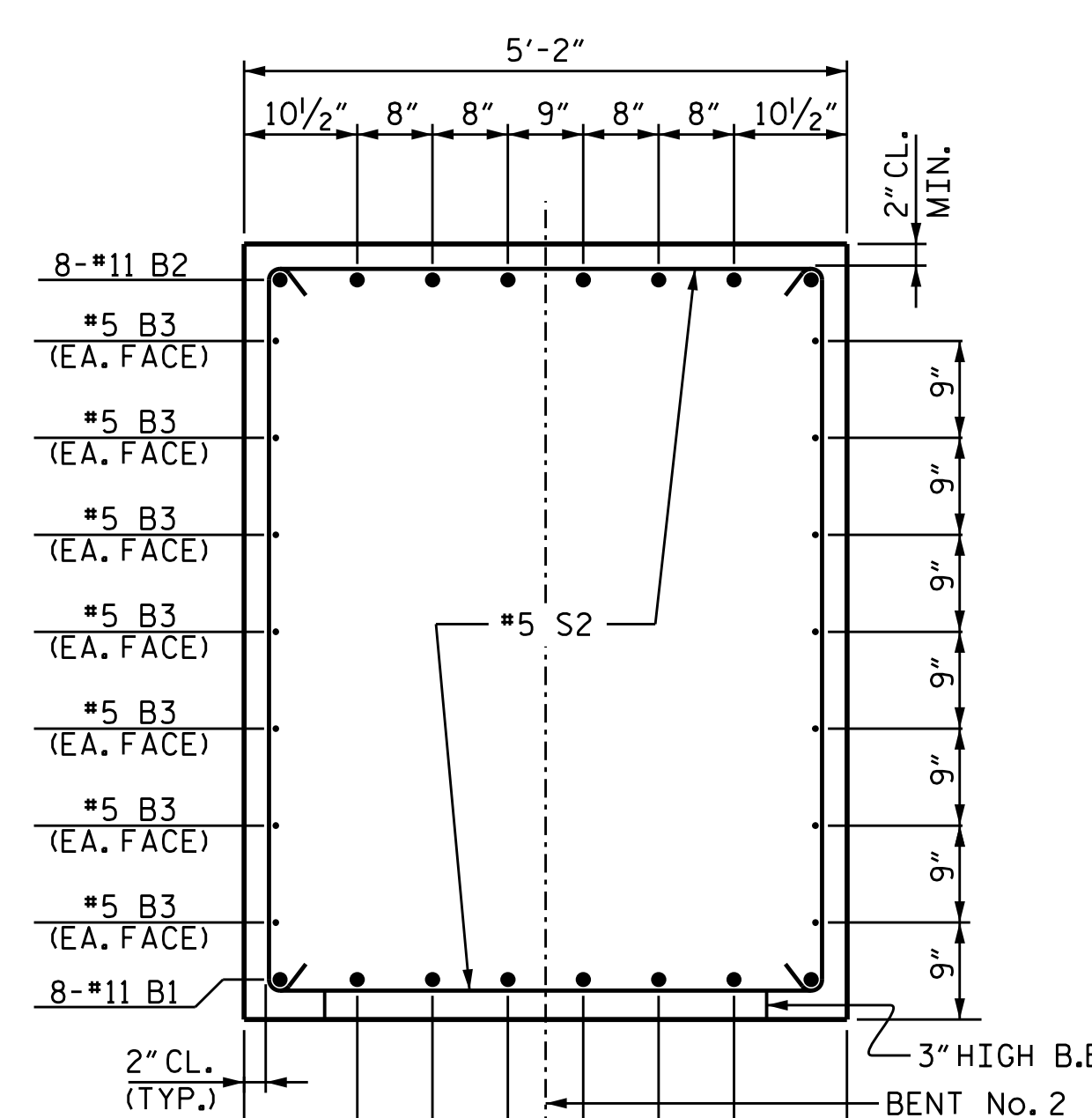
**PLAN OF DRILLED PIERS & COLUMNS**  
DIMENSIONS AND REINFORCING STEEL ARE TYPICAL FOR EACH COLUMN & DRILLED PIER.



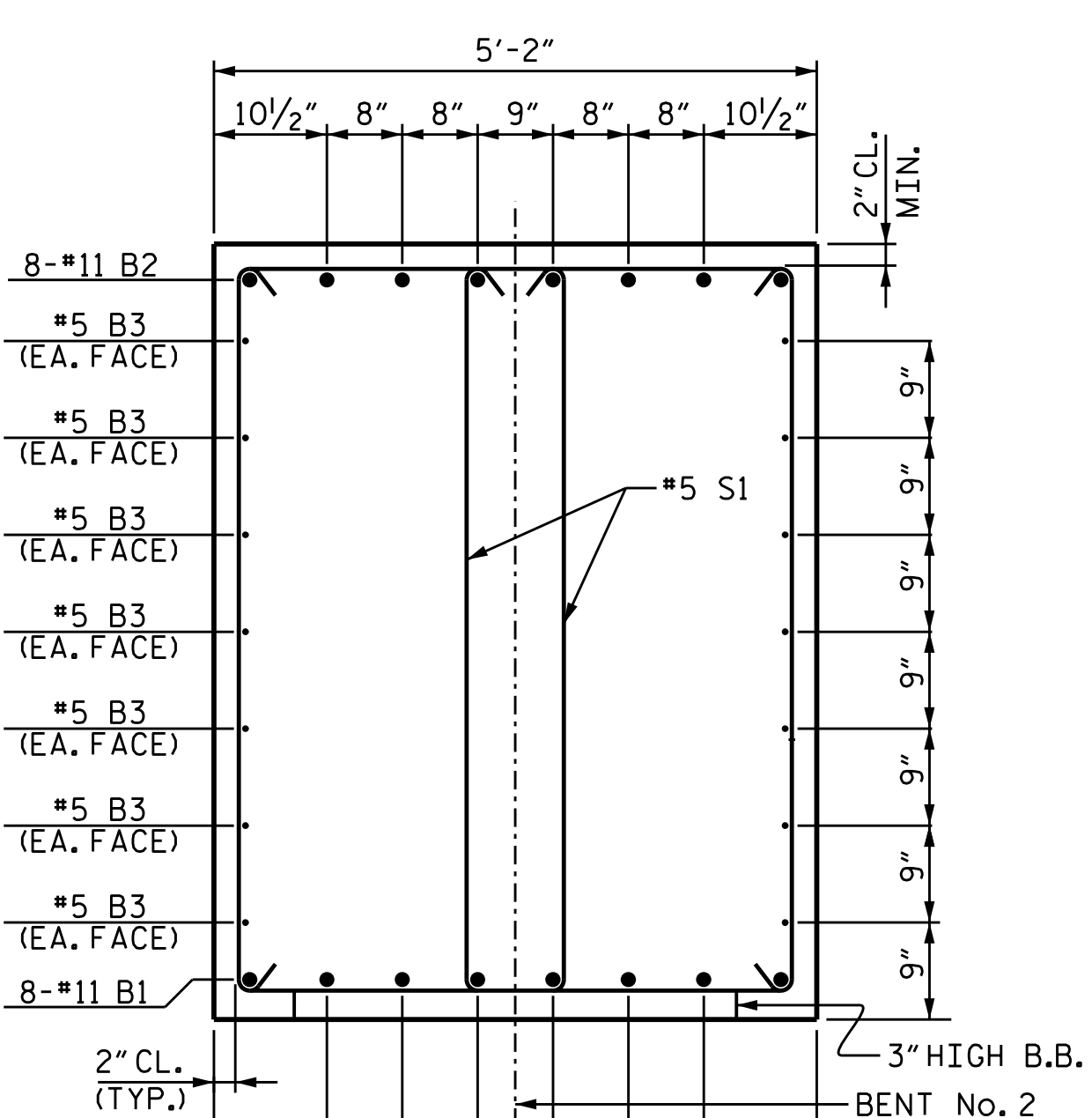
**END ELEVATION**



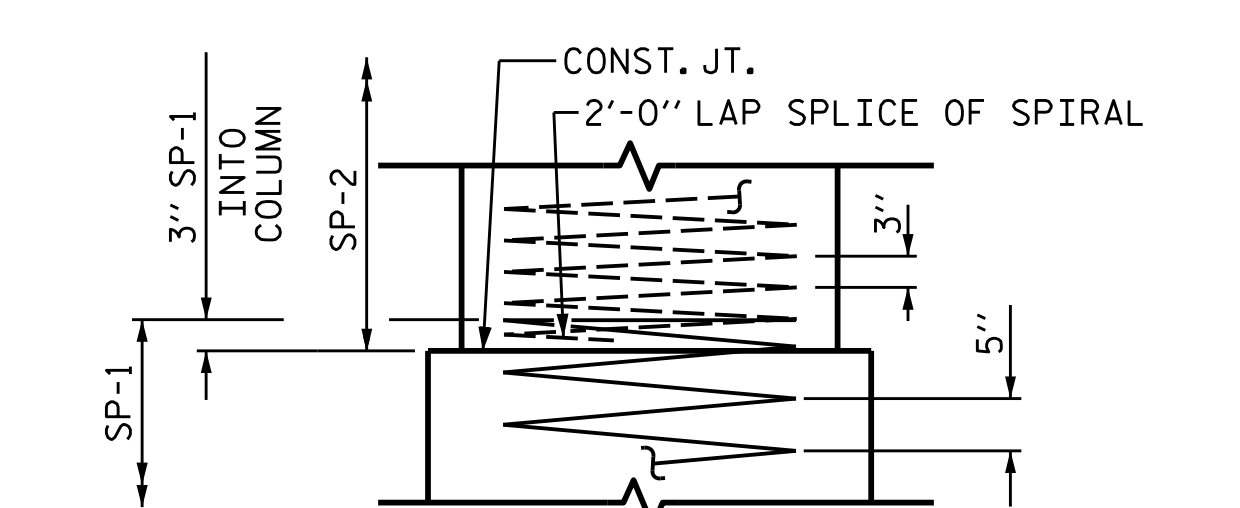
**END VIEW**



**SECTION A-A**

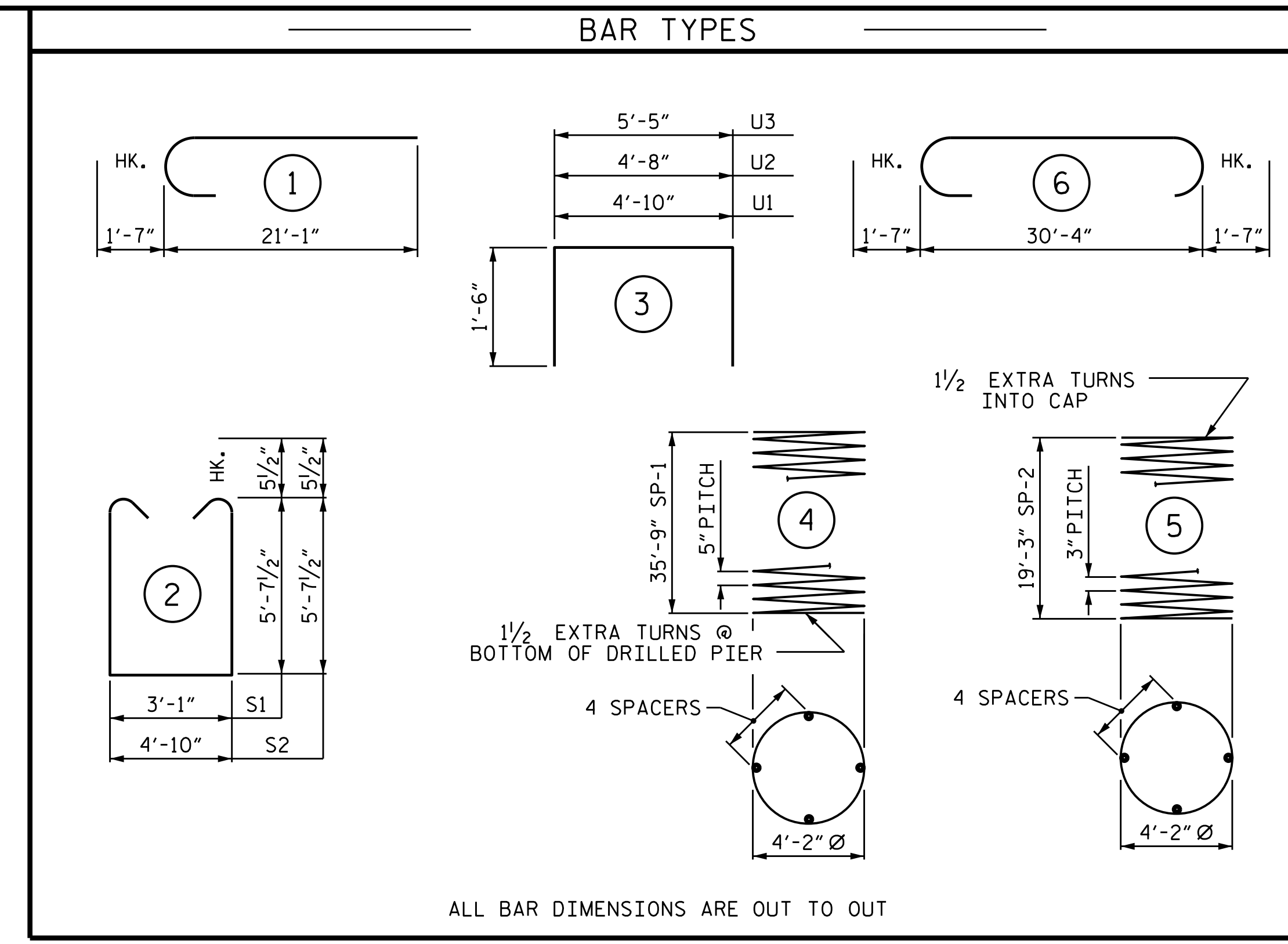


**SECTION B-B**



**CONSTRUCTION JOINT DETAIL**

DRAWN BY :	TBE	DATE :	10/19
CHECKED BY :	MGC	DATE :	1/20
DESIGN ENGINEER OF RECORD:	TBE	DATE :	2/20



ALL BAR DIMENSIONS ARE OUT TO OUT

BILL OF MATERIAL FOR BENT No. 2					
BAR	NO.	SIZE	TYPE	LENGTH	WEIGHT
B1	8	#11	STR	30'-6"	1,296
B2	8	#11	6	33'-6"	1,424
B3	14	#5	STR	30'-6"	445
M1	32	#11	STR	46'-1"	7,835
S1	52	#5	2	15'-3"	827
S2	11	#5	2	17'-0"	195
U1	28	#4	3	7'-10"	147
U2	12	#4	3	7'-8"	61
U3	10	#4	3	8'-5"	56
V1	32	#11	1	22'-8"	3,854
REINFORCING STEEL					16,140 LBS.
SP-1	2	*	4	1138'-2"	2,374
SP-2	2	**	5	1024'-0"	1,368
SPIRAL COLUMN REINFORCING STEEL					3,742 LBS.
* THE SP-1 SPIRAL REINFORCING STEEL SHALL BE W31 OR D-31 COLD DRAWN WIRE OR #5 PLAIN OR DEFORMED BAR					
** THE SP-2 SPIRAL REINFORCING STEEL SHALL BE W20 OR D-20 COLD DRAWN WIRE OR #4 PLAIN OR DEFORMED BAR					
CLASS A CONCRETE BREAKDOWN					
POUR #2 (COLUMNS)					22.4 C.Y.
POUR #3 (CAP)					35.9 C.Y.
TOTAL CLASS A CONCRETE					58.3 C.Y.
DRILLED PIERS:					
DRILLED PIER CONCRETE POUR #1					52.7 C.Y.
5'-0" Ø DRILLED PIERS IN SOIL					32.50 LIN. FT.
5'-0" Ø DRILLED PIERS NOT IN SOIL					40.00 LIN. FT.
CSL TUBES					377.50 LIN. FT.

PROJECT NO. B-5825  
YADKIN/FORSYTH COUNTY  
STATION: 34+65.50-L-  
SHEET 2 OF 2

STATE OF NORTH CAROLINA  
DEPARTMENT OF TRANSPORTATION  
RALEIGH

**SEAL**  
20125  
MARSHALL G. CHECK, JR.  
ENGINEER  
SFBCC2F3A4DC413... 4/14/2020

DOCUMENT NOT CONSIDERED FINAL UNLESS ALL SIGNATURES COMPLETED

TGS ENGINEERS  
706 HILLSBOROUGH STREET  
SUITE 200  
RALEIGH, NC 27603  
PH (919) 773-8887  
CORP. LICENSE NO.: C-0275

REVISIONS						SHEET NO.
NO.	BY:	DATE:	NO.	BY:	DATE:	S-42
1			3			TOTAL SHEETS
2			4			60