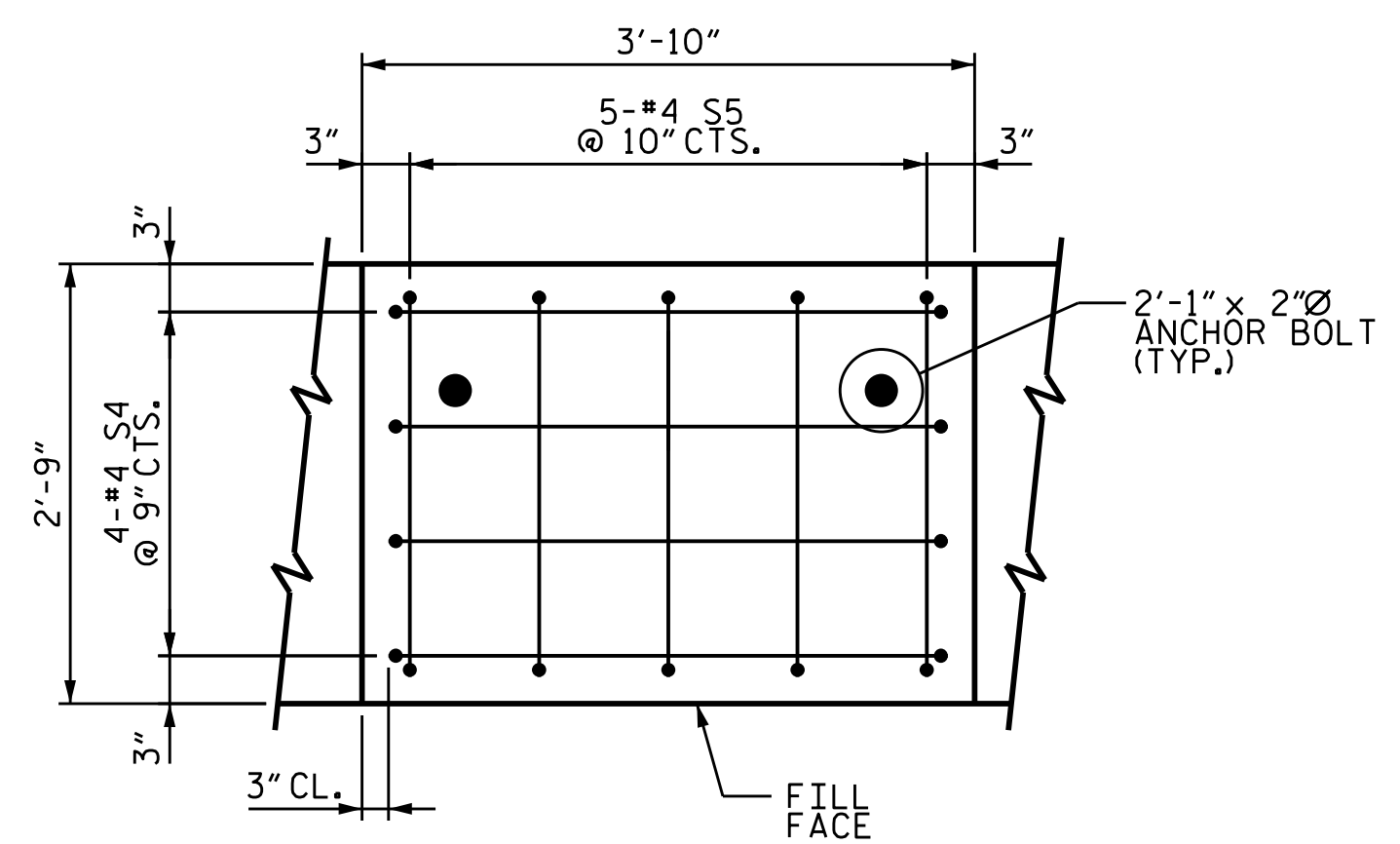


BAGGED STONE AND PIPE SHALL BE PLACED IMMEDIATELY AFTER COMPLETION OF END BENT EXCAVATION. PIPE MAY BE EITHER CONCRETE, CORRUGATED STEEL, CORRUGATED ALUMINUM ALLOY, OR CORRUGATED PLASTIC. PERFORATED PIPE WILL NOT BE ALLOWED.

BAGGED STONE SHALL REMAIN IN PLACE UNTIL THE ENGINEER DIRECTS THAT IT BE REMOVED. THE CONTRACTOR SHALL REMOVE AND DISPOSE OF SILT ACCUMULATIONS AT BAGGED STONE WHEN SO DIRECTED BY THE ENGINEER. BAGS SHALL BE REMOVED AND REPLACED WHENEVER THE ENGINEER DETERMINES THAT THEY HAVE DETERIORATED AND LOST THEIR EFFECTIVENESS.

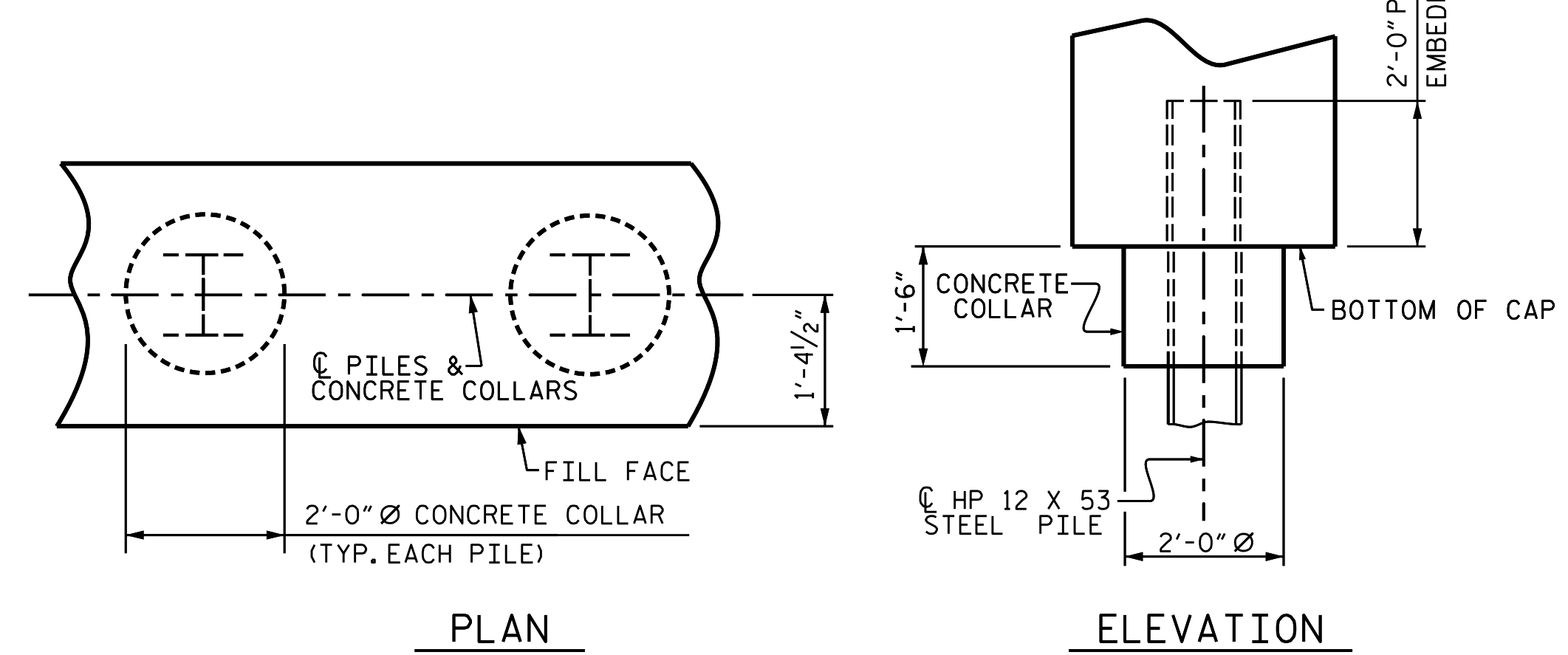
NO SEPARATE PAYMENT WILL BE MADE FOR THIS WORK AND THE ENTIRE COST OF THIS WORK SHALL BE INCLUDED IN THE UNIT CONTRACT PRICE BID FOR THE SEVERAL PAY ITEMS.

**TEMPORARY DRAINAGE AT END BENT**



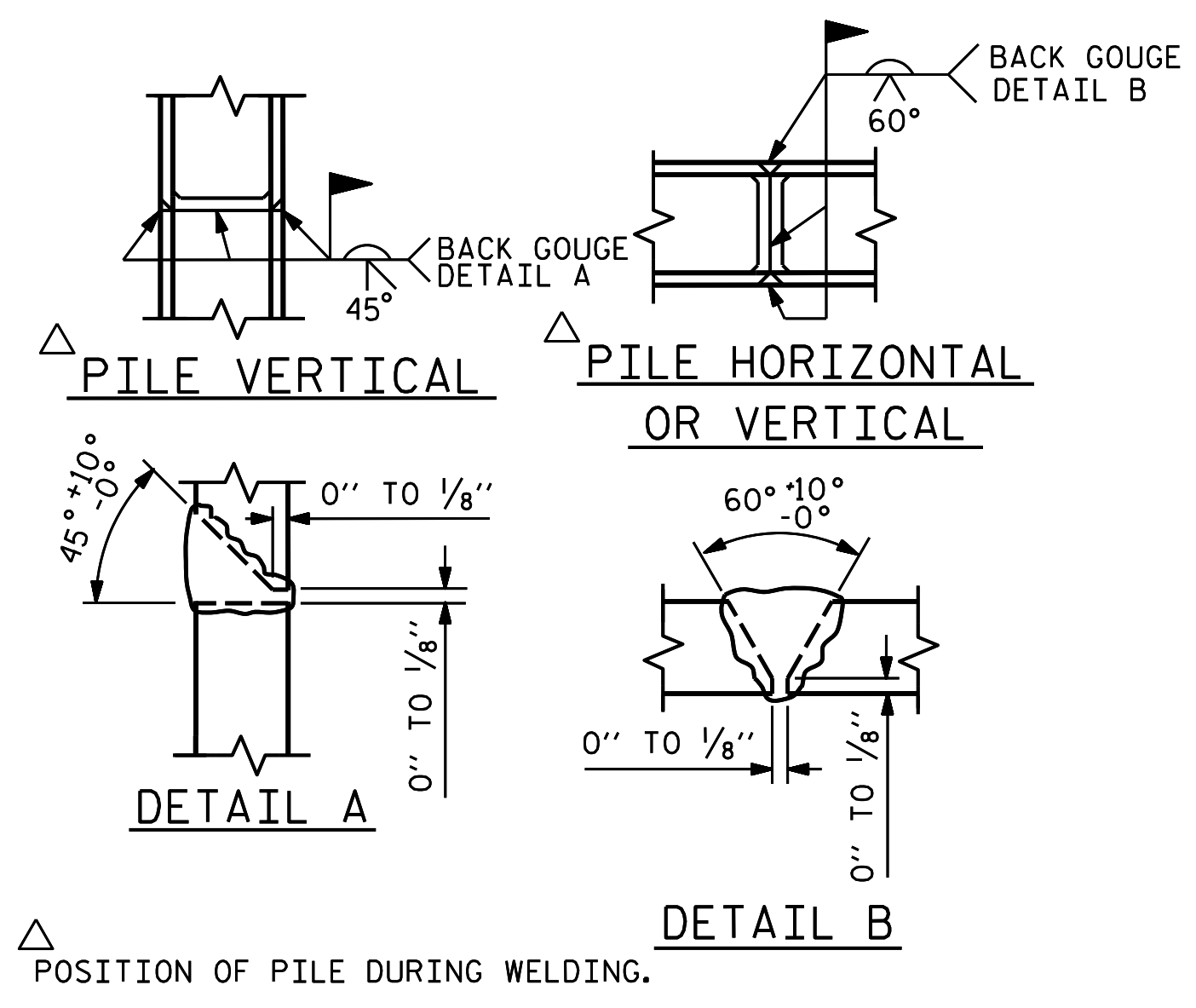
**BRIDGE SEAT REINFORCING DETAIL**

(TYPICAL FOR GIRDERS 2 AND 3 SEATS)

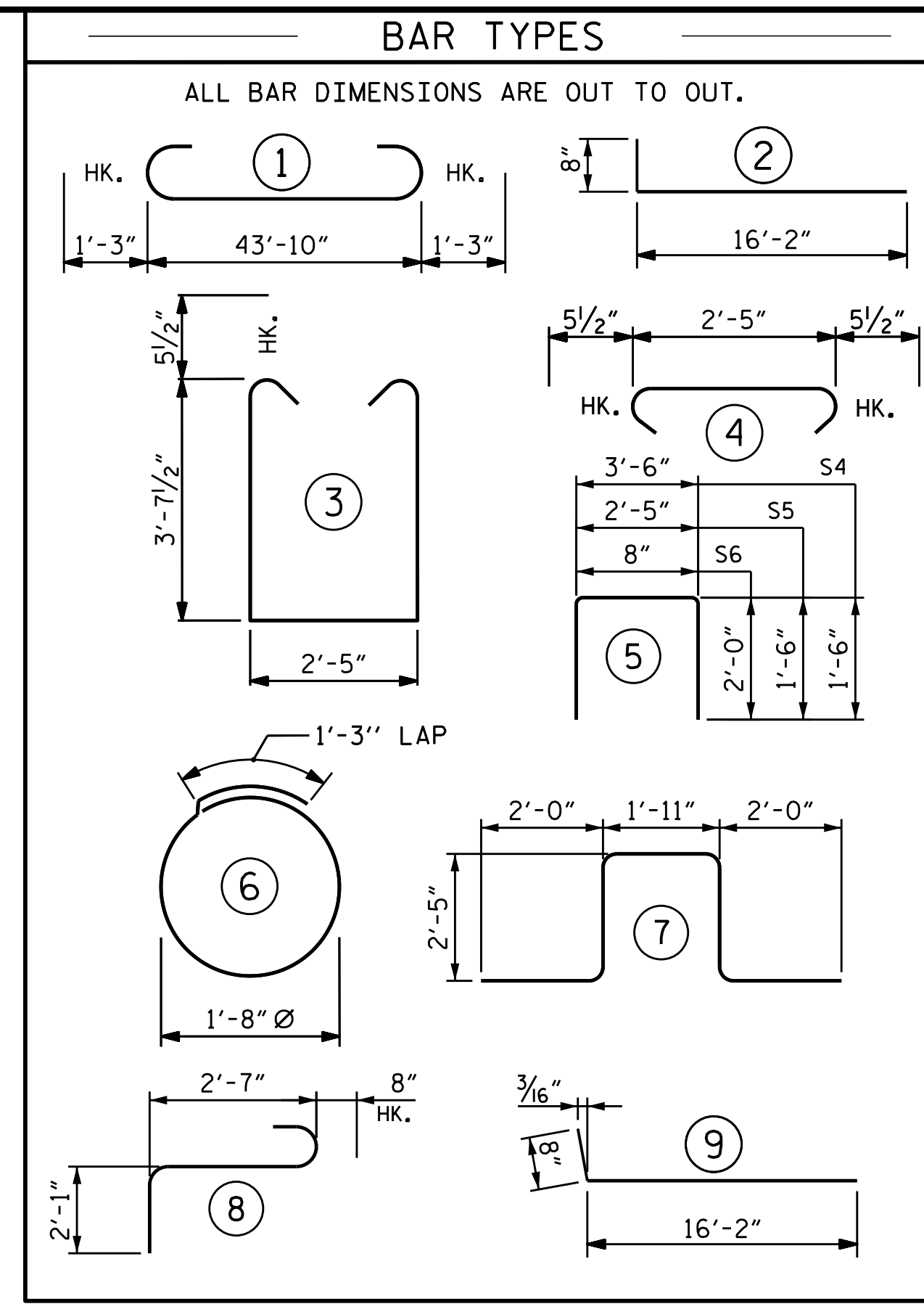
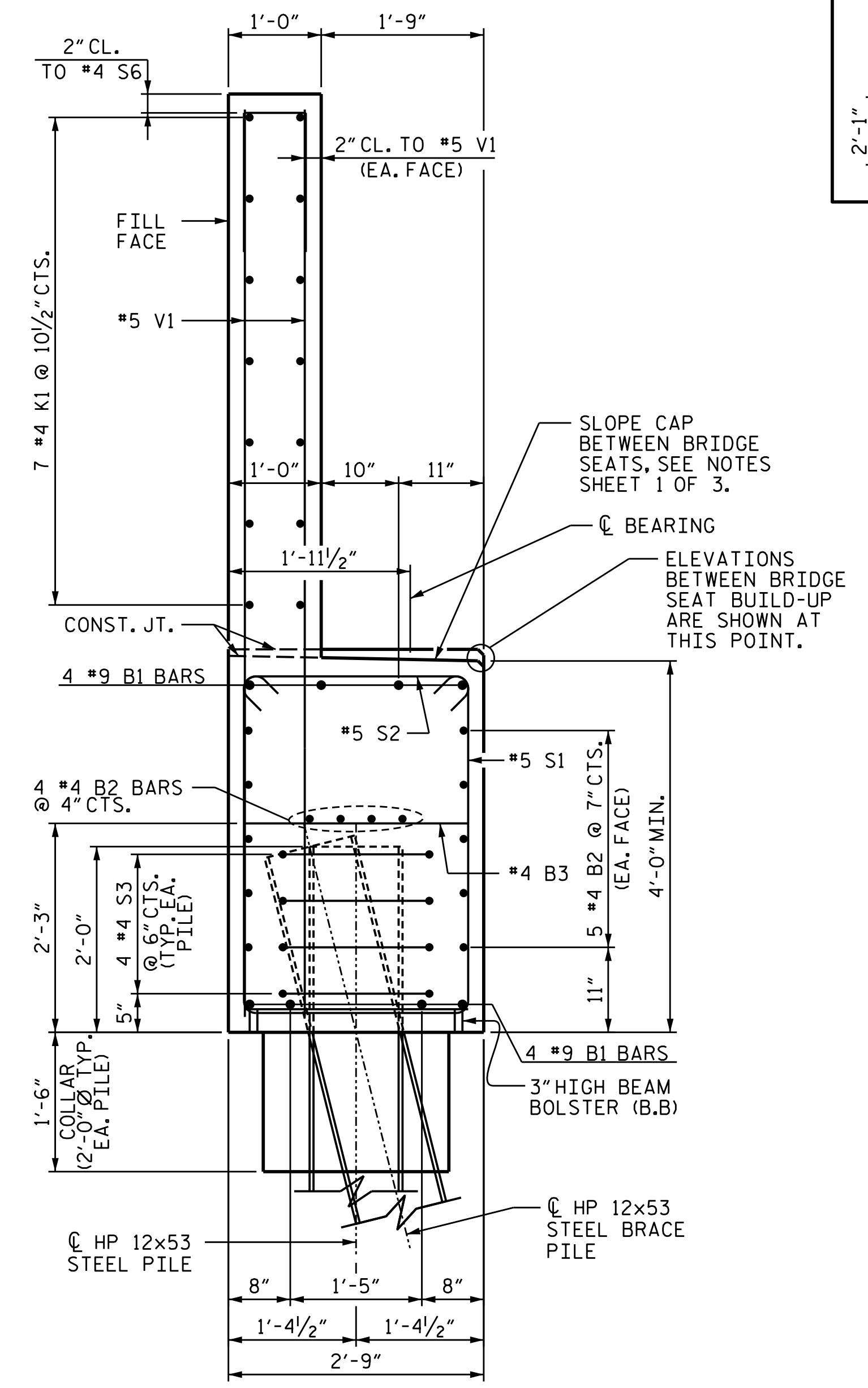


**CORROSION PROTECTION FOR STEEL PILES DETAIL**

DRAWN BY : JLA DATE : 11/19  
 CHECKED BY : RAR DATE : 12/19  
 DESIGN ENGINEER OF RECORD : TBE DATE : 2/20



**PILE SPLICE DETAILS**



BILL OF MATERIAL					
END BENT 1					
BAR	NO.	SIZE	TYPE	LENGTH	WEIGHT
B1	8	#9	1	46'-4"	1,260
B2	28	#4	STR	23'-3"	435
B3	11	#4	STR	2'-5"	18
H1	28	#4	9	16'-10"	315
H2	28	#4	2	16'-10"	315
K1	28	#4	STR.	23'-3"	435
K2	8	#4	STR.	3'-6"	19
S1	72	#5	3	10'-7"	795
S2	24	#5	4	3'-4"	83
S3	40	#4	6	6'-6"	174
S4	8	#4	5	6'-6"	35
S5	10	#4	5	5'-5"	36
S6	37	#4	STR.	4'-8"	115
S7	6	#6	7	10'-9"	97
S8	6	#6	8	5'-4"	48
V1	74	#5	STR.	9'-8"	746
V2	84	#5	STR.	11'-4"	993
REINFORCING STEEL					5,919 LBS.
CLASS A CONCRETE BREAKDOWN					
POUR #1	CAP, LOWER PART OF WINGS & COLLARS			26.5 C.Y.	
POUR #2	BACKWALL AND UPPER PART OF WINGS			19.2 C.Y.	
TOTAL CLASS A CONCRETE				45.7 C.Y.	
HP 12 X 53 STEEL PILES					
NO: 12		LIN. FT. = 690			
PILE DRIVING EQUIPMENT SETUP FOR HP 12 x 53 STEEL PILES					
EACH = 12					

PROJECT NO. B-5825  
 YADKIN/FORSYTH COUNTY  
 STATION: 34+65.50-L-  
 SHEET 3 OF 3

STATE OF NORTH CAROLINA  
 DEPARTMENT OF TRANSPORTATION  
 RALEIGH

END BENT No. 1  
 DETAILS

DOCUMENT NOT CONSIDERED FINAL UNLESS ALL SIGNATURES COMPLETED

ICGS ENGINEERS  
 804-C N. LAFAYETTE ST  
 SHELBY, NC 28150  
 PH (704) 476-0003  
 CORP. LICENSE NO.: C-0275

REVISIONS

NO.	BY:	DATE:	NO.	BY:	DATE:
1			3		
2			4		

SHEET NO. S-38  
 TOTAL SHEETS 60