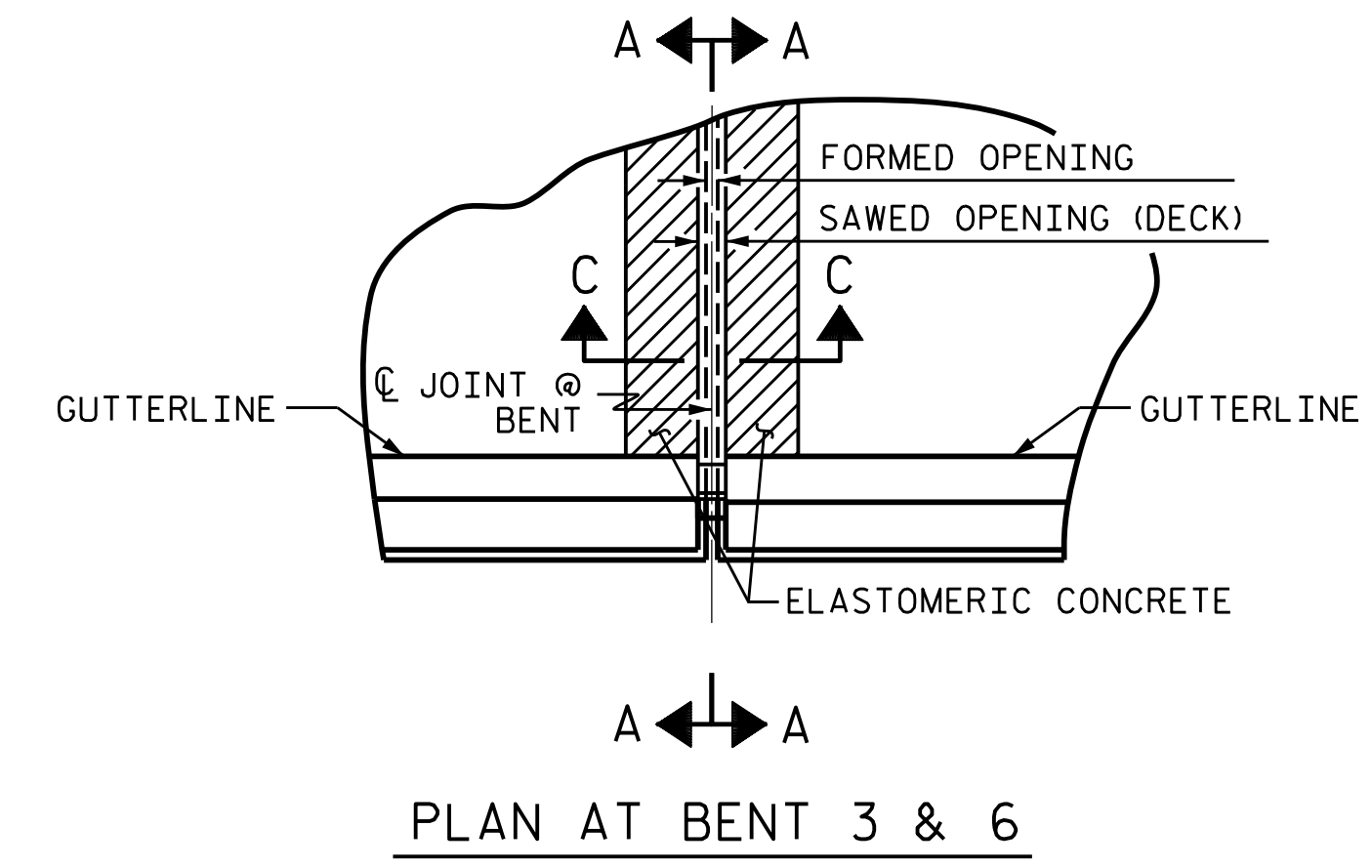
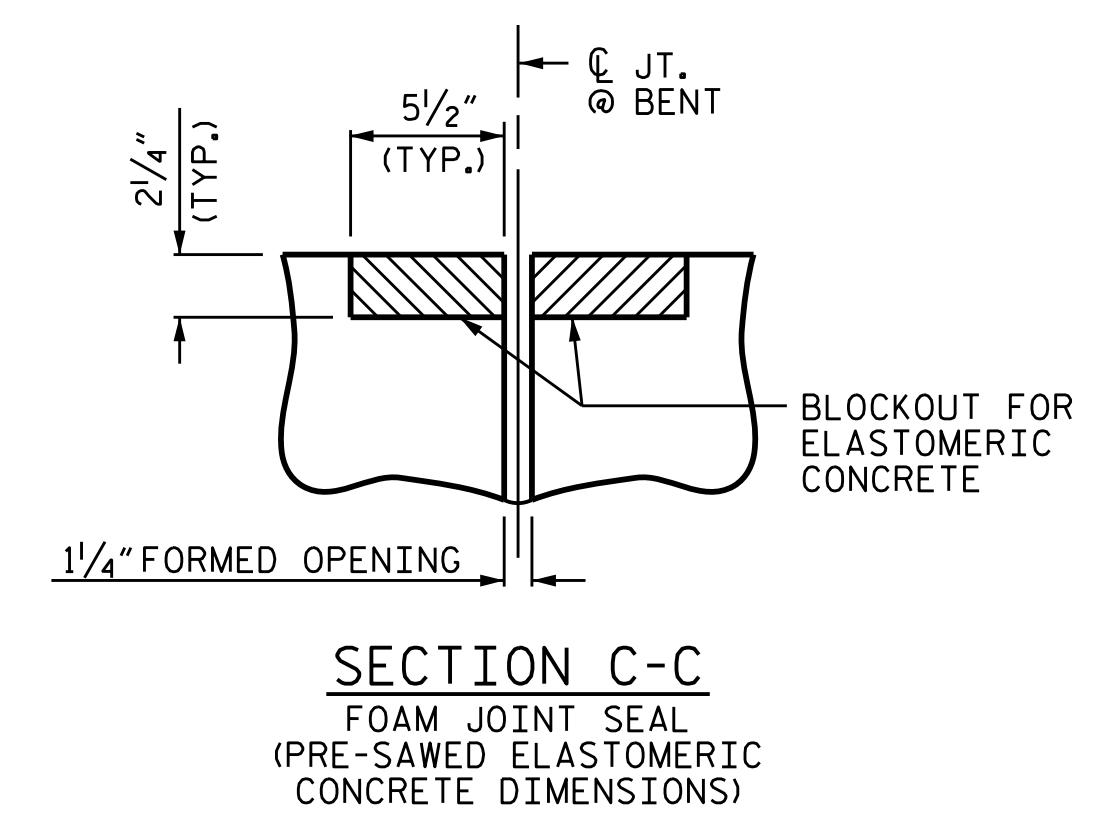


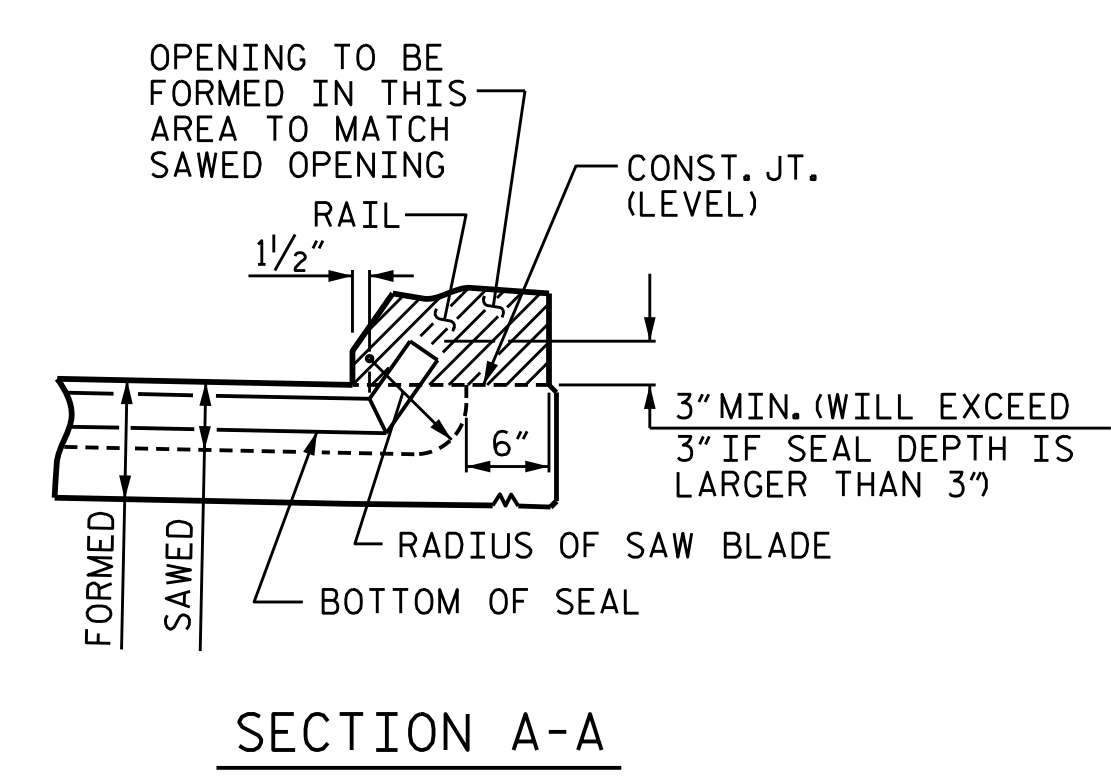
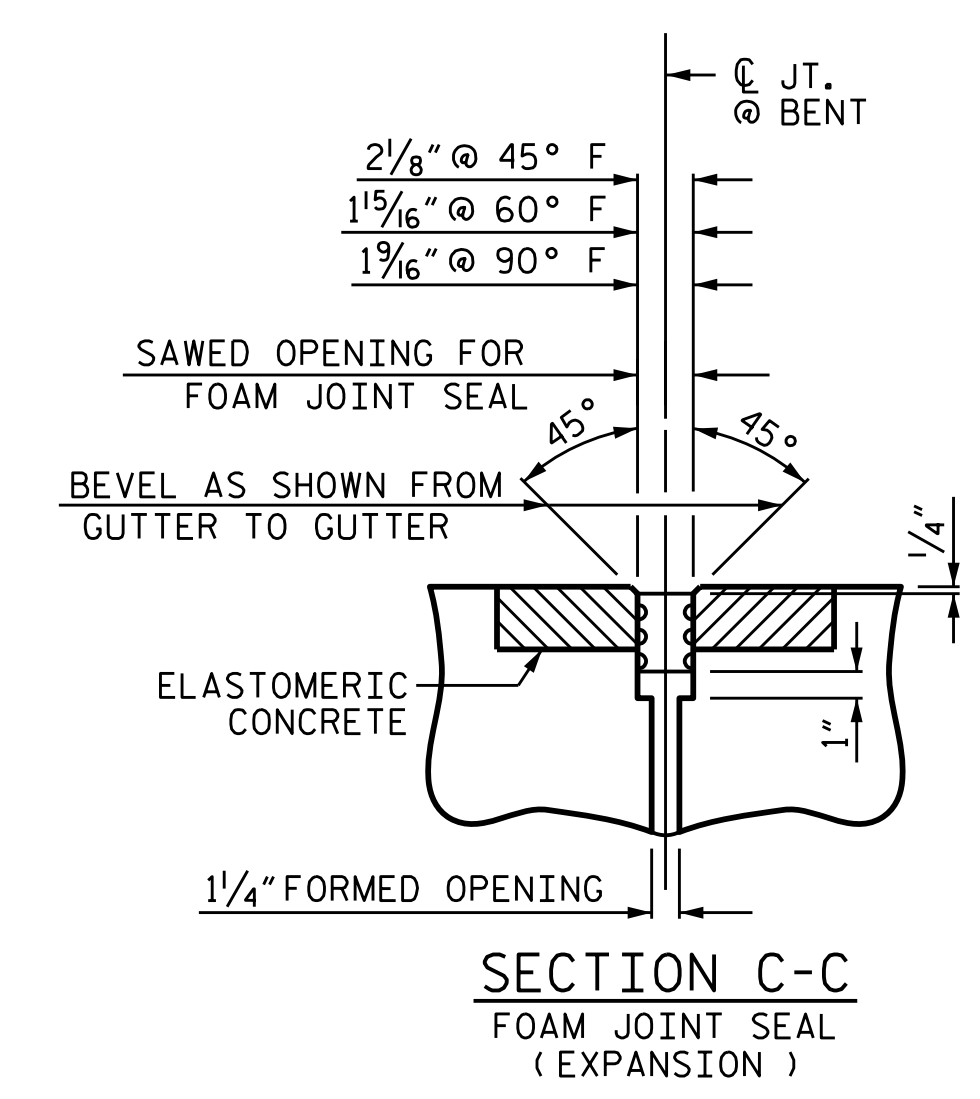
NOTES

FOR FOAM JOINT SEALS, SEE SPECIAL PROVISIONS.
 THE NOMINAL UNCOMPRESSED SEAL WIDTH OF THE FOAM JOINT SEAL SHALL BE 2 1/2".
 FOR ELASTOMERIC CONCRETE, SEE SPECIAL PROVISIONS.



ELASTOMERIC CONCRETE	
BENT NO.	ELASTOMERIC CONCRETE * (CU. FT.)
3	5.50
6	5.50
TOTAL	11.00

* BASED ON THE MINIMUM BLOCKOUT SHOWN.



PROJECT NO. B-5825
YADKIN/FORSYTH COUNTY
 STATION: 34+65.50 -L-

	STATE OF NORTH CAROLINA DEPARTMENT OF TRANSPORTATION RALEIGH		FOAM JOINT SEAL DETAILS			
	DOCUMENT NOT CONSIDERED FINAL UNLESS ALL SIGNATURES COMPLETED					
TGS ENGINEERS 706 HILLSBOROUGH STREET SUITE 200 RALEIGH, NC 27603 PH (919) 773-8887 CORP. LICENSE NO.: C-0275		REVISIONS		SHEET NO. S-28		
NO.	BY:	DATE:	NO.	BY:	DATE:	TOTAL SHEETS
1			3			60
2			4			

DRAWN BY : ZCS DATE : 1/20
 CHECKED BY : MGC DATE : 1/20
 DESIGN ENGINEER OF RECORD: TBE DATE : 02/20