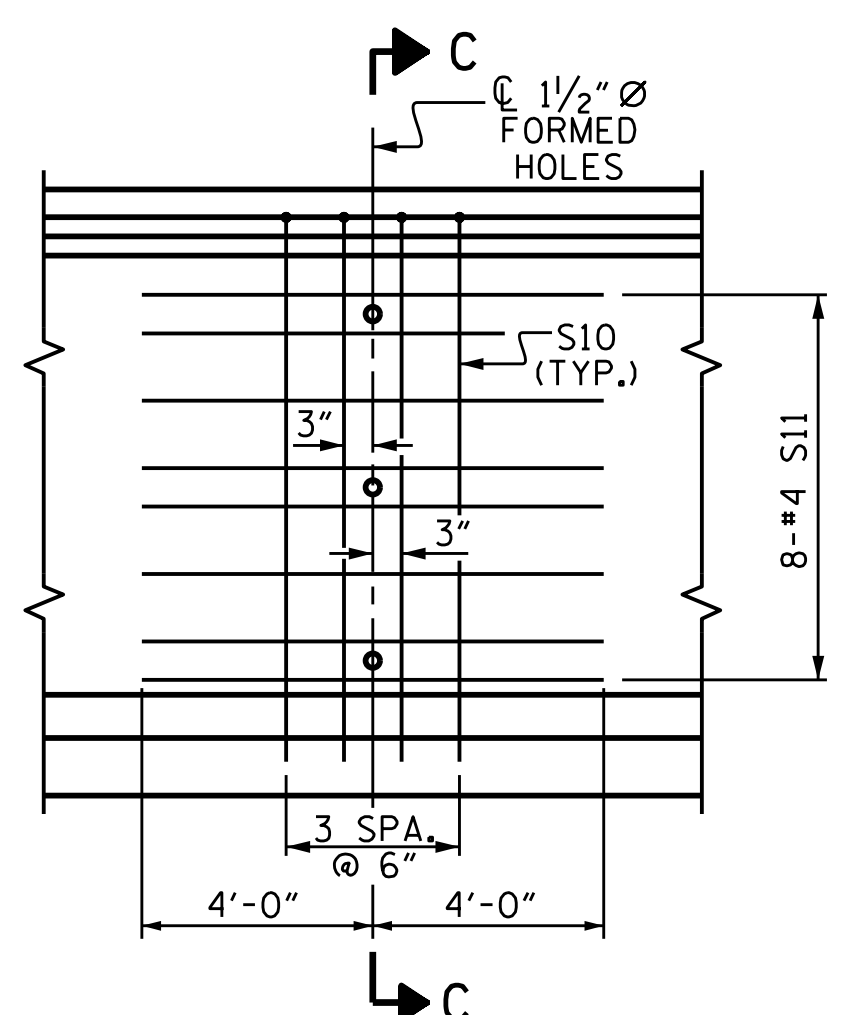
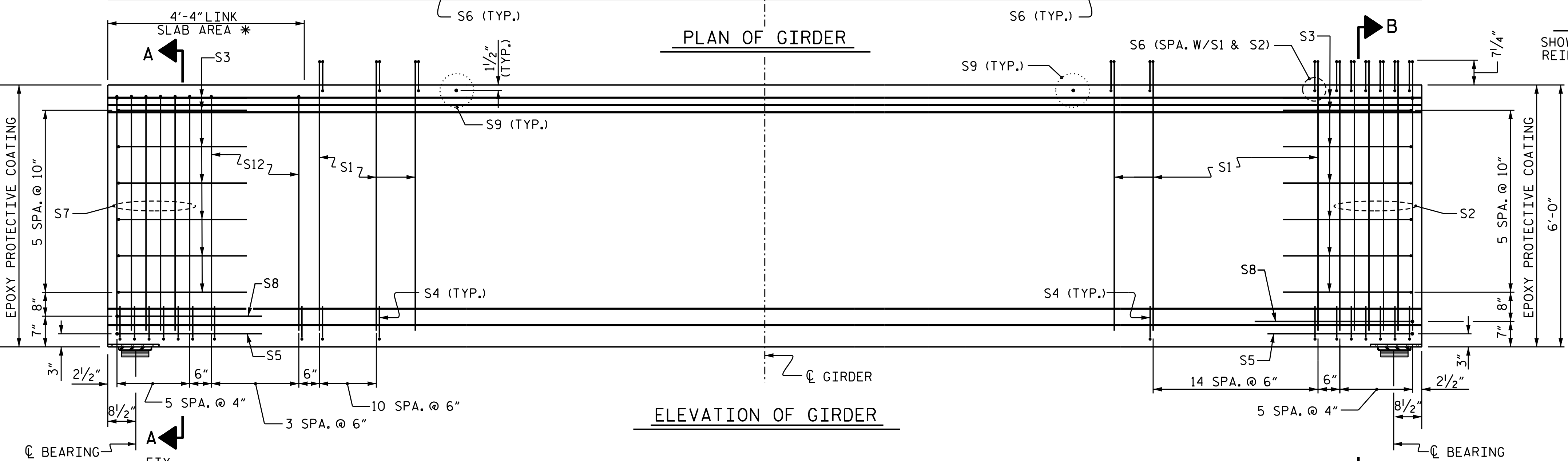
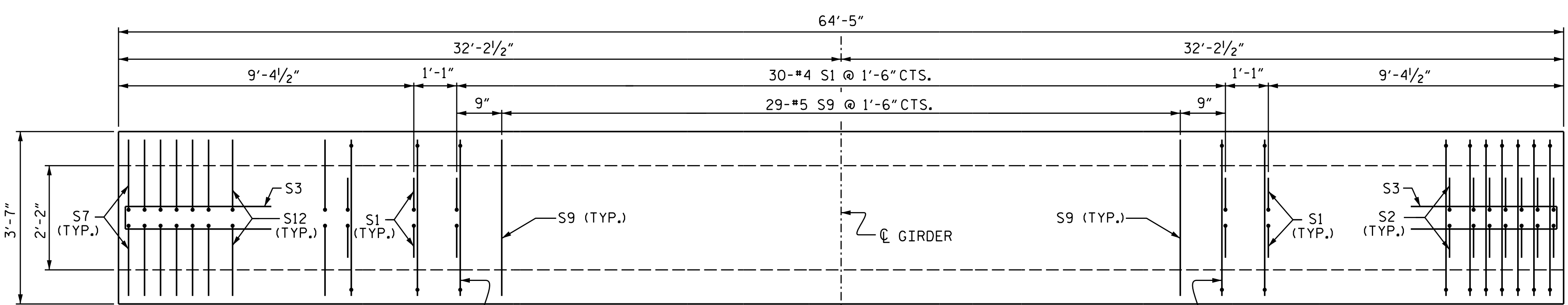
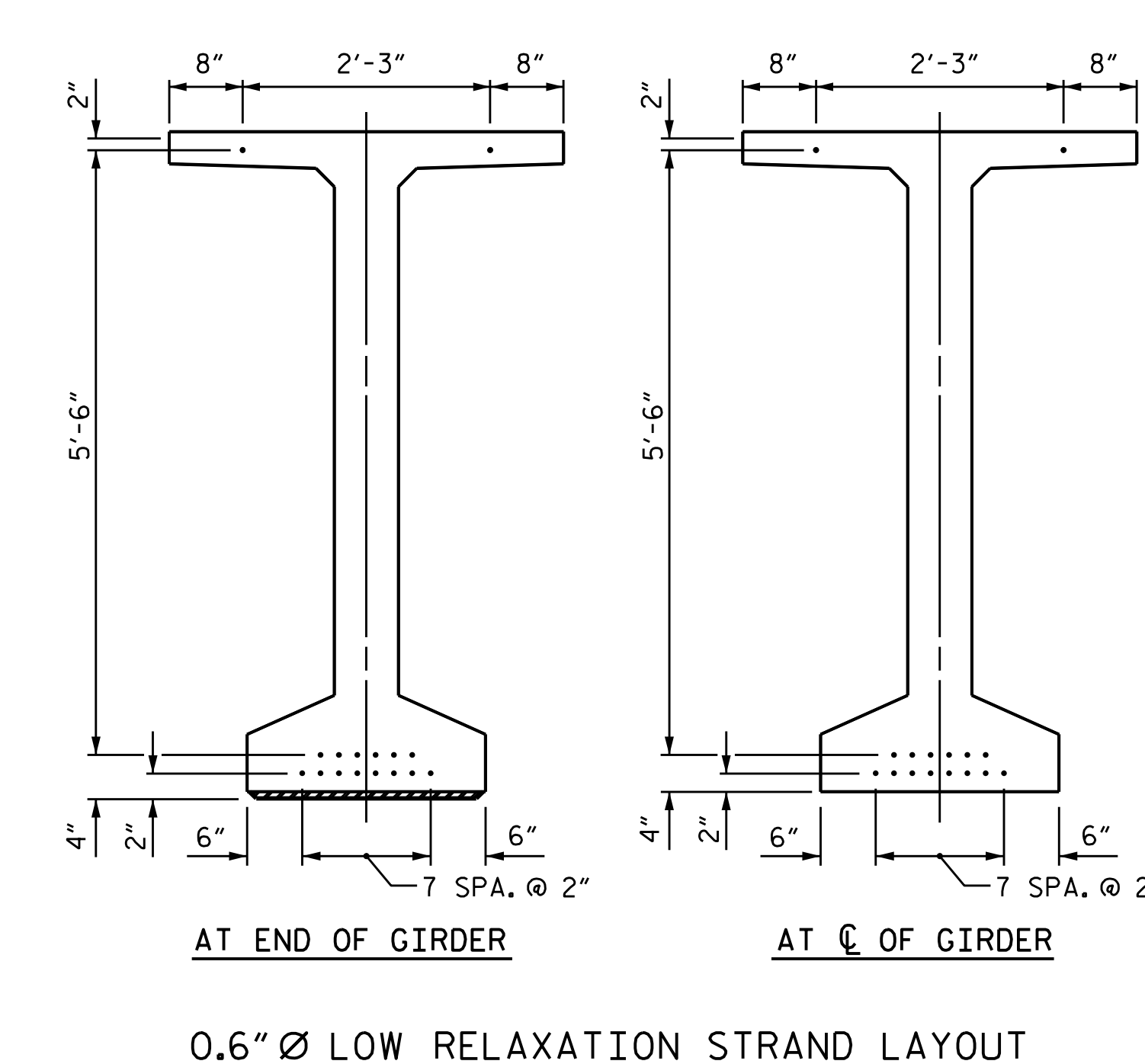
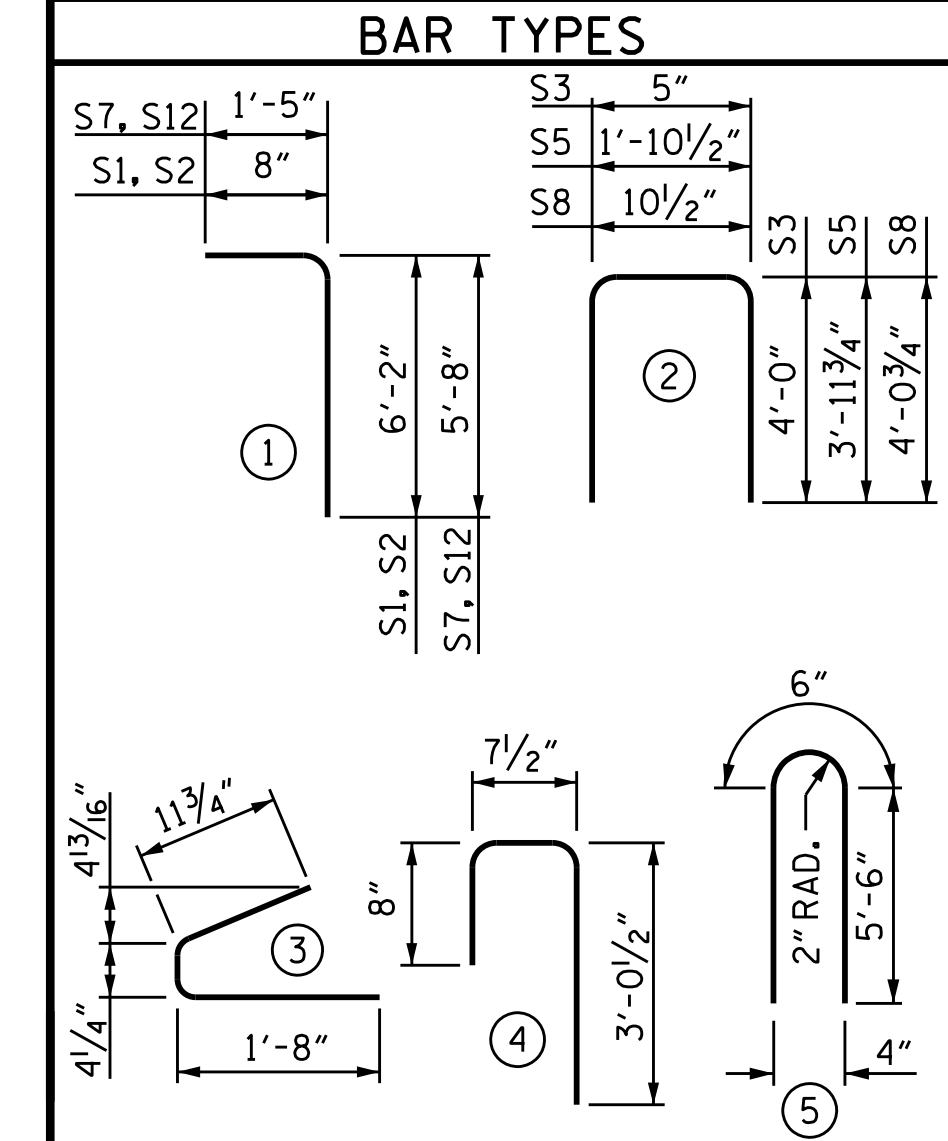


1/2" Ø FORMED HOLE. SEE ELEVATION FOR LOCATION. FOR DIM. "A", "B" & "C" SEE "INTERMEDIATE STEEL DIAPHRAGM" SHEET.)



0.6" Ø L. R. GRADE 270 STRANDS		
AREA (SQUARE INCHES)	ULTIMATE STRENGTH (LBS. PER STRAND)	APPLIED PRESTRESS (LBS. PER STRAND)
0.217	58,600	43,950

REINFORCING STEEL FOR ONE GDR						
BAR	NUMBER	SIZE	TYPE	LENGTH	WEIGHT	
S1	112	#4	1	6'-10"	511	
S2	12	#5	1	6'-10"	86	
S3	14	#4	2	8'-5"	79	
S4	84	#4	3	3'-0"	168	
S5	2	#5	2	9'-10"	21	
S6	124	#5	4	4'-4"	560	
S7	12	#5	1	7'-1"	89	
S8	2	#5	2	9'-0"	19	
S9	29	#5	STR	3'-3"	98	
S10	4	#5	5	11'-6"	48	
S11	8	#4	STR	8'-0"	43	
S12	8	#4	1	7'-1"	38	

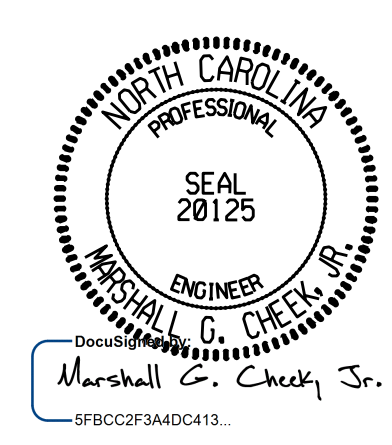


QUANTITIES FOR ONE GIRDER			
	REINFORCING STEEL	7000 PSI CONCRETE	0.6" Ø L.R. STRANDS
	LB.	C.Y.	No.
GIRDERS 1-4	1760	13.8	16

GIRDERS REQUIRED		
NUMBER	LENGTH	TOTAL LENGTH
4	64'-5"	257'-8"

* DO NOT ROUGHEN TOP OF GIRDER IN THIS AREA

PROJECT NO. B-5825
 YADKIN/FORSYTH COUNTY
 STATION: 34+65.50 -L-
 SHEET 5 OF 7



DOCUMENT NOT CONSIDERED FINAL UNLESS ALL SIGNATURES COMPLETED

TGS ENGINEERS
 706 HILLSBOROUGH STREET
 SUITE 200
 RALEIGH, NC 27603
 PH (919) 773-8887
 CORP. LICENSE NO.: C-0275

STATE OF NORTH CAROLINA DEPARTMENT OF TRANSPORTATION RALEIGH					
72" PRESTRESSED CONCRETE MODIFIED BULB TEE CONTINUOUS FOR LIVE LOAD SPAN I					
REVISIONS					
NO.	BY:	DATE:	NO.	BY:	DATE:
1			3		
2			4		

SHEET NO.	S-24
TOTAL SHEETS	60

DRAWN BY: ZCS DATE: 12/19
 CHECKED BY: MGC DATE: 1/20
 DESIGN ENGINEER OF RECORD: TBE DATE: 2/20