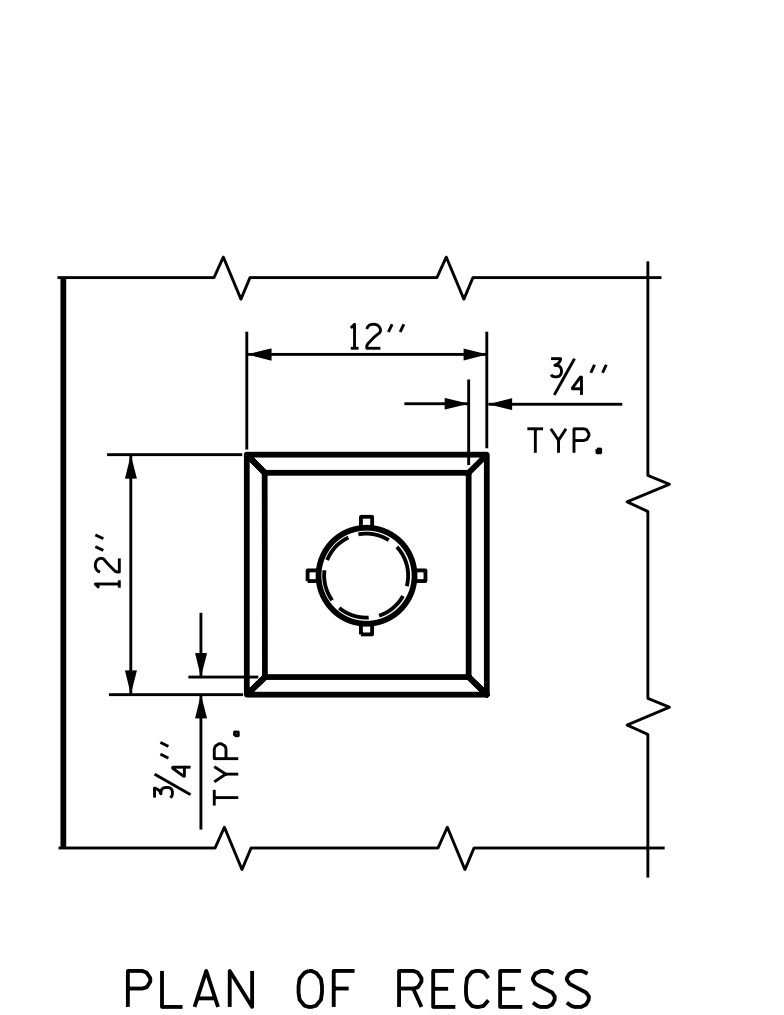
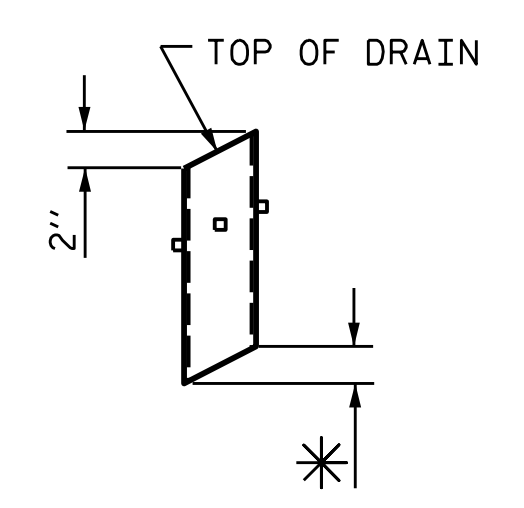


PARTIAL TYPICAL SECTION (SHOWING END BENT #2 DIAPHRAGMS)

PARTIAL TYPICAL SECTION (AT BENTS 1, 2, 4, 5, 7 & 8)

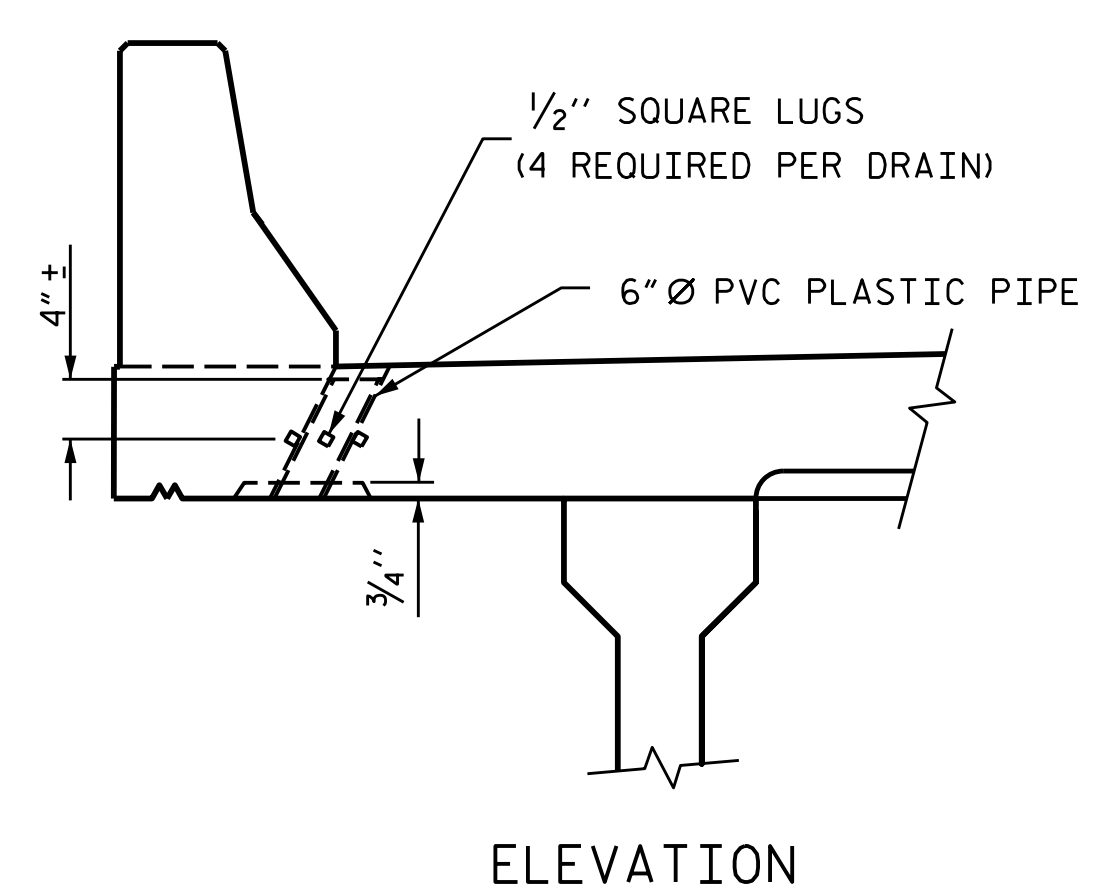


PLAN OF RECESS



* TO BE SET TO MATCH SLOPE OF BOTTOM OF OVERHANG (130 DRAINS REQUIRED)

PIPE DETAIL



ELEVATION

TOP OF FLOOR DRAINS TO BE SET 3/8" BELOW SURFACE OF SLAB.
 4 - 1/2" SQUARE LUGS TO BE GLUED TO THE P.V.C. PLASTIC PIPE AT EQUAL SPACES AROUND THE PIPE DRAIN APPROXIMATELY 4" FROM THE TOP OF THE PIPE.
 THE 6" Ø PVC PLASTIC PIPE AND FITTINGS SHALL BE SCHEDULE 40 AND CONFORM TO ASTM D1785.

DRAIN DETAILS

PROJECT NO. B-5825
YADKIN/FORSYTH COUNTY
 STATION: 34+65.50 -L-
 SHEET 2 OF 4

STATE OF NORTH CAROLINA
 DEPARTMENT OF TRANSPORTATION
 RALEIGH

**SUPERSTRUCTURE
 TYPICAL SECTION**

Professional Engineer Seal for Marshall G. Cheek, Jr., No. 20125, Exp. 4/14/2020.

DOCUMENT NOT CONSIDERED FINAL UNLESS ALL SIGNATURES COMPLETED

TGS ENGINEERS
 706 HILLSBOROUGH STREET
 SUITE 200
 RALEIGH, NC 27603
 PH (919) 773-8887
 CORP. LICENSE NO.: C-0275

REVISIONS						SHEET NO.
NO.	BY:	DATE:	NO.	BY:	DATE:	S-10
1			3			TOTAL SHEETS
2			4			60

DRAWN BY :	S. B. WILLIAMS	DATE :	10-19
CHECKED BY :	MGC	DATE :	1-20
DESIGN ENGINEER OF RECORD:	TBE	DATE :	2-20