
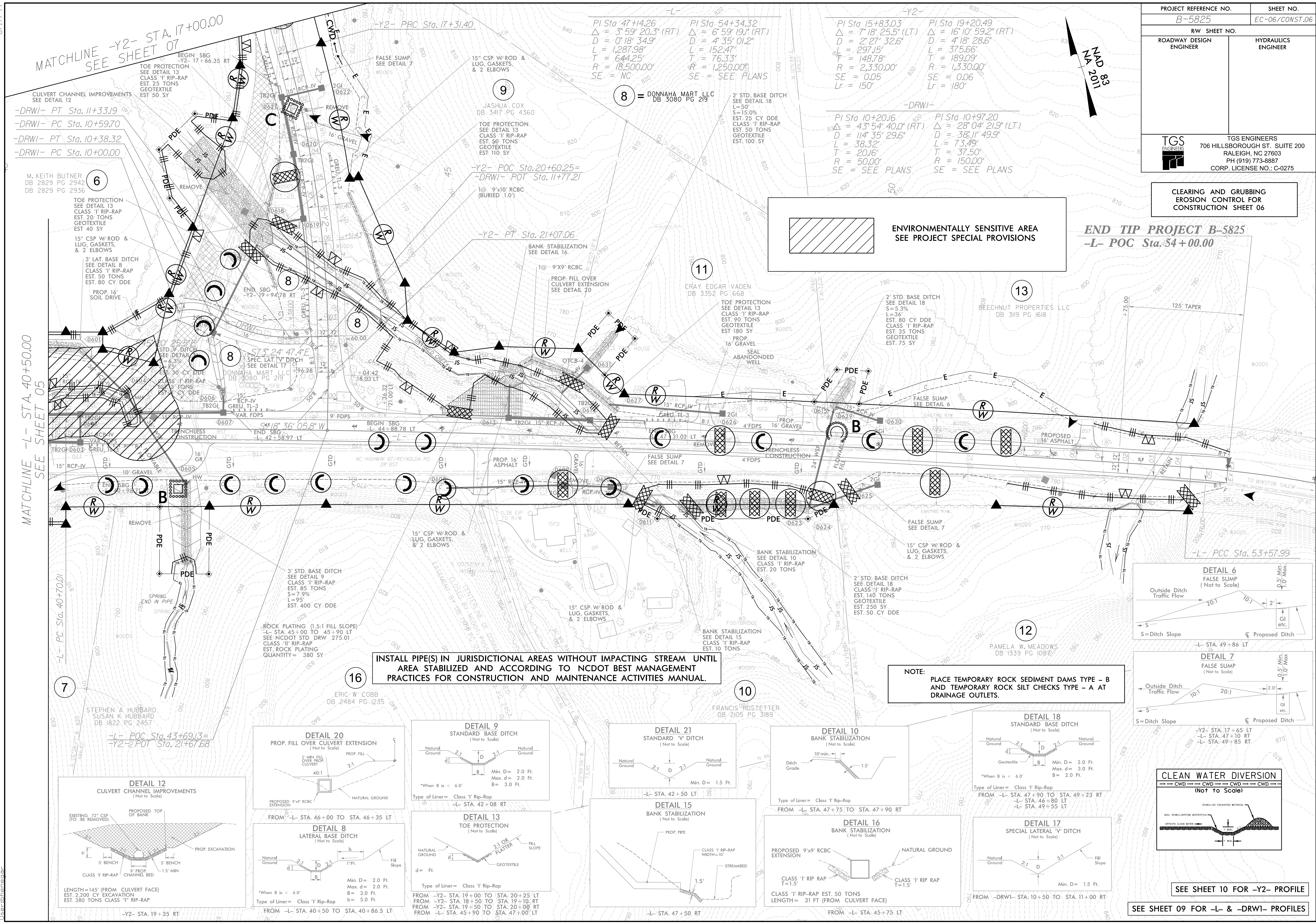


PROJECT REFERENCE NO.	SHEET NO.
B-5825	EC-06/CONST.06
RW SHEET NO.	
ROADWAY DESIGN ENGINEER	HYDRAULICS ENGINEER
 TGS ENGINEERS 706 HILLSBOROUGH ST., SUITE 200 RALEIGH, NC 27603 PH (919) 773-8887 CORP. LICENSE NO.: C-0275	

**CLEARING AND GRUBBING
EROSION CONTROL FOR
CONSTRUCTION SHEET 06**

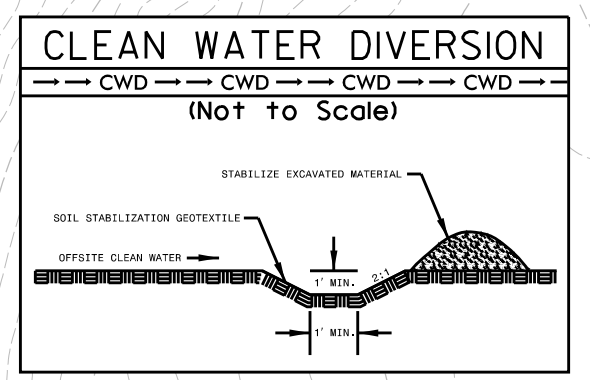
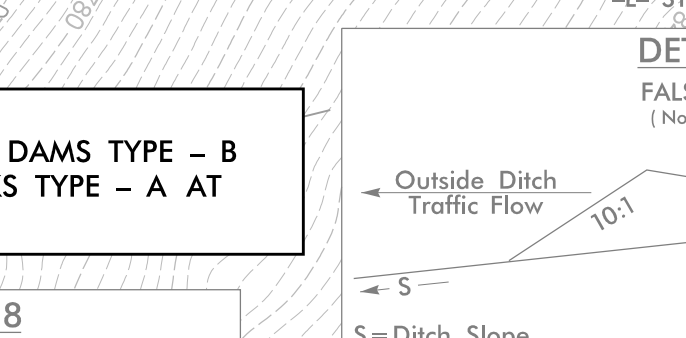
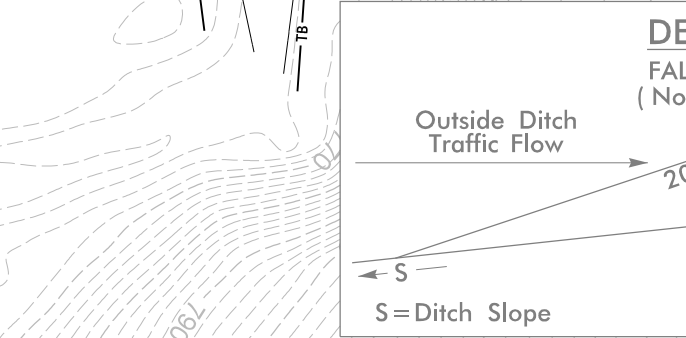
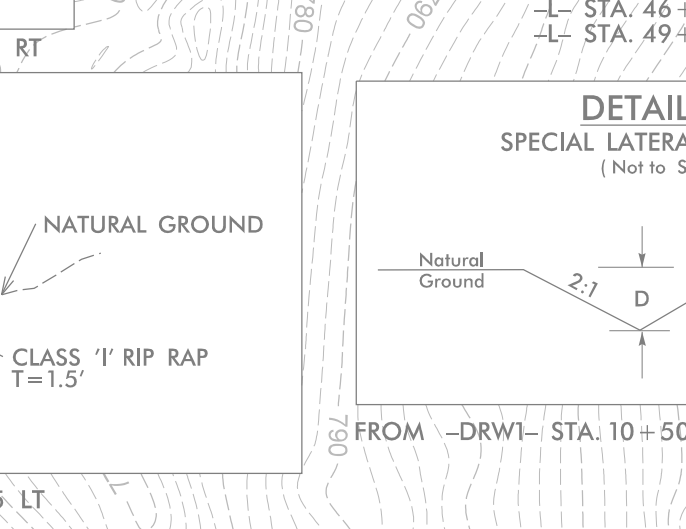
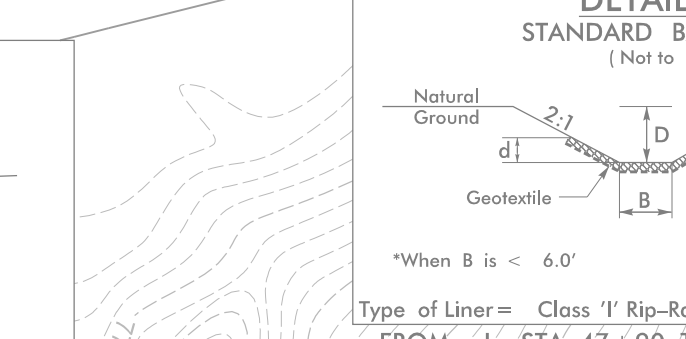
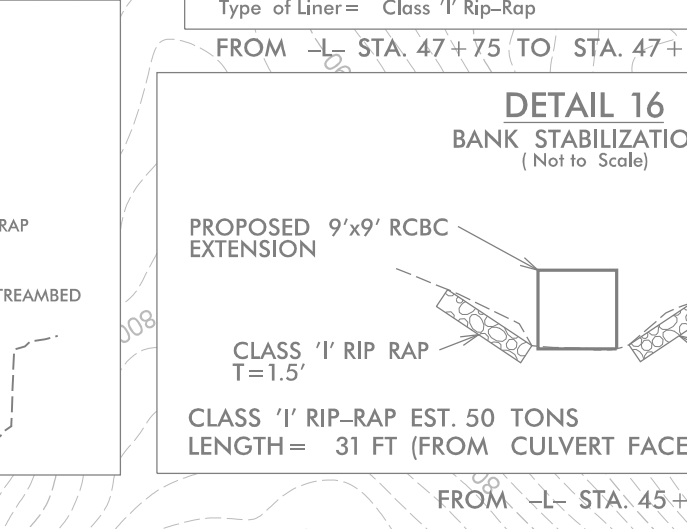
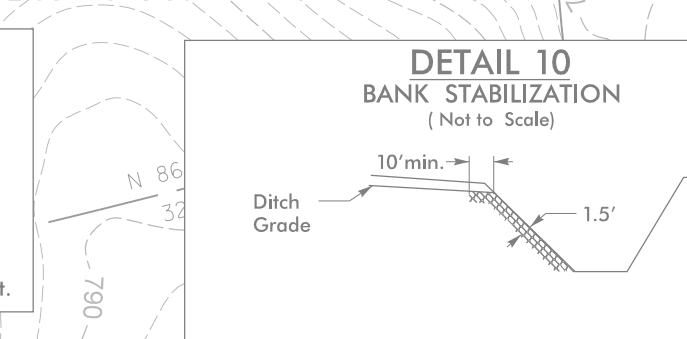
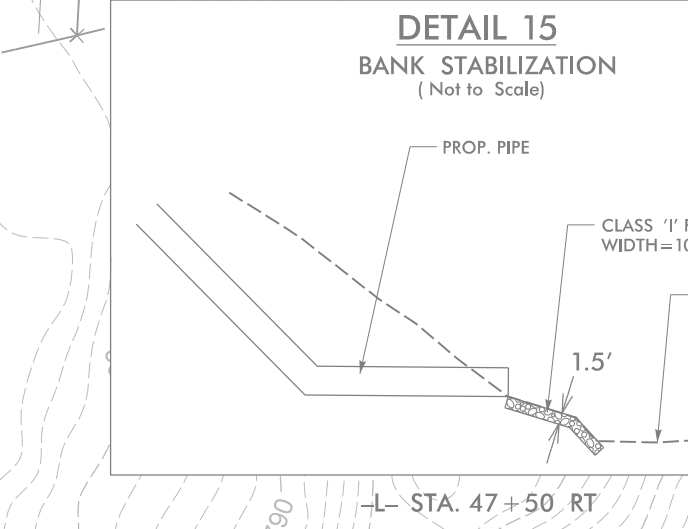
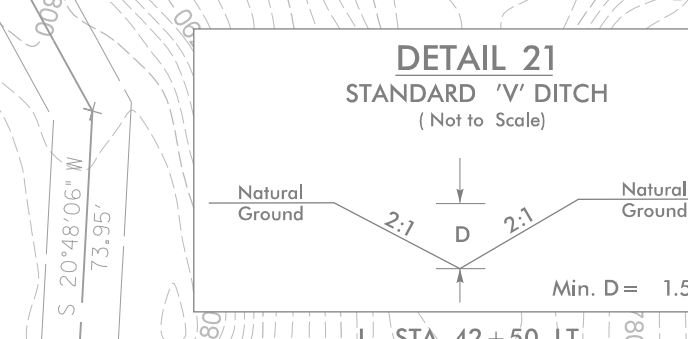
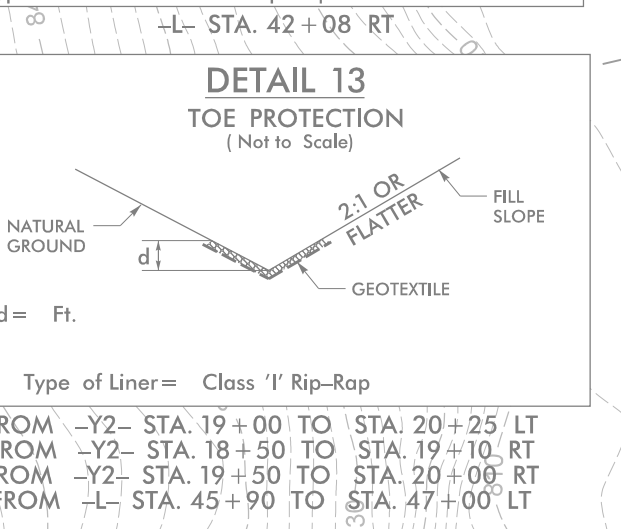
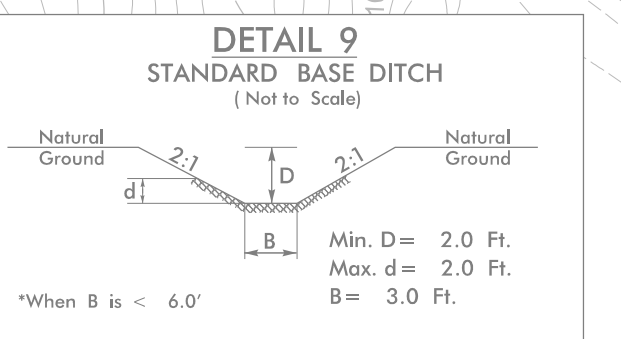
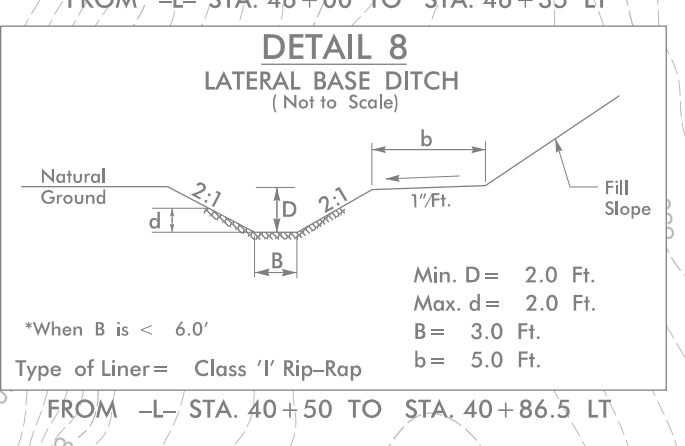
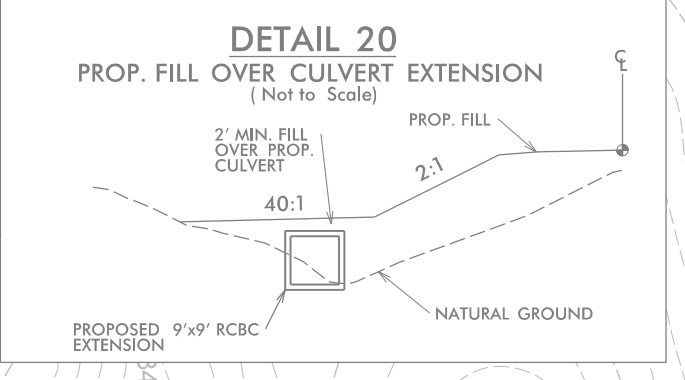
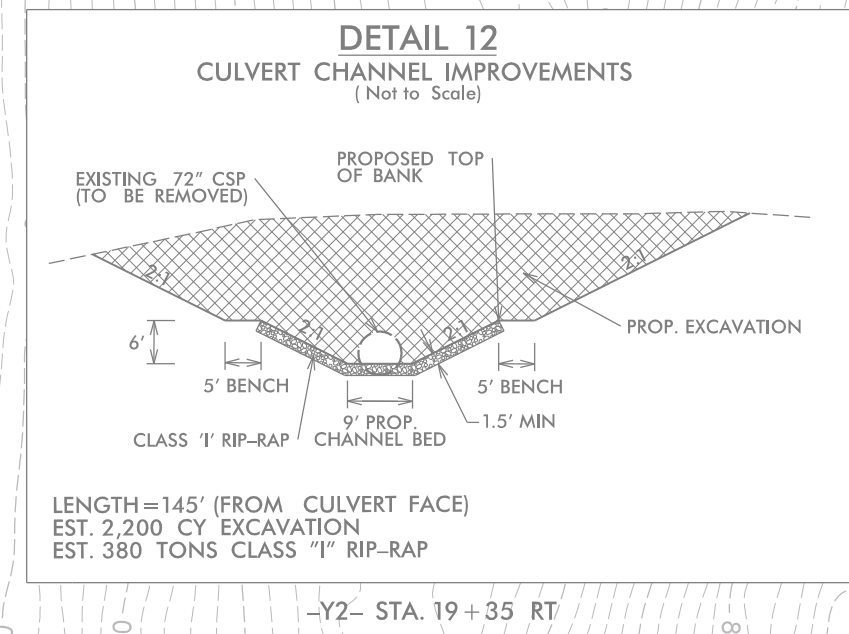
**END TIP PROJECT B-5825
-L- POC Sta. 54+00.00**

**ENVIRONMENTALLY SENSITIVE AREA
SEE PROJECT SPECIAL PROVISIONS**



INSTALL PIPE(S) IN JURISDICTIONAL AREAS WITHOUT IMPACTING STREAM UNTIL AREA STABILIZED AND ACCORDING TO NCDOT BEST MANAGEMENT PRACTICES FOR CONSTRUCTION AND MAINTENANCE ACTIVITIES MANUAL.

NOTE: PLACE TEMPORARY ROCK SEDIMENT DAMS TYPE - B AND TEMPORARY ROCK SILT CHECKS TYPE - A AT DRAINAGE OUTLETS.



SEE SHEET 10 FOR -Y2- PROFILE

SEE SHEET 09 FOR -L- & -DRWI- PROFILES

8.17.799
 3/10/2020 B-5825-Drainage Control\CG Sheets\B-5825_EC.dwg
 M. Keith Butner DB 2829 PG 2942 DB 2829 PG 2936
 J. K. Hubbard DB 1822 PG 2457
 E. W. Cobb DB 2484 PG 1235
 F. Hostetter DB 2105 PG 3189
 P. W. Meadows DB 1339 PG 1086
 C. Edgar Vaden DB 3352 PG 668
 B. Mart LLC DB 3080 PG 219
 J. Cox DB 3417 PG 4360
 S. Hubbard DB 1822 PG 2457
 E. Cobb DB 2484 PG 1235
 F. Hostetter DB 2105 PG 3189
 P. Meadows DB 1339 PG 1086
 C. Vaden DB 3352 PG 668
 B. Mart LLC DB 3080 PG 219
 J. Cox DB 3417 PG 4360