

GEOTECHNICAL ENGINEER

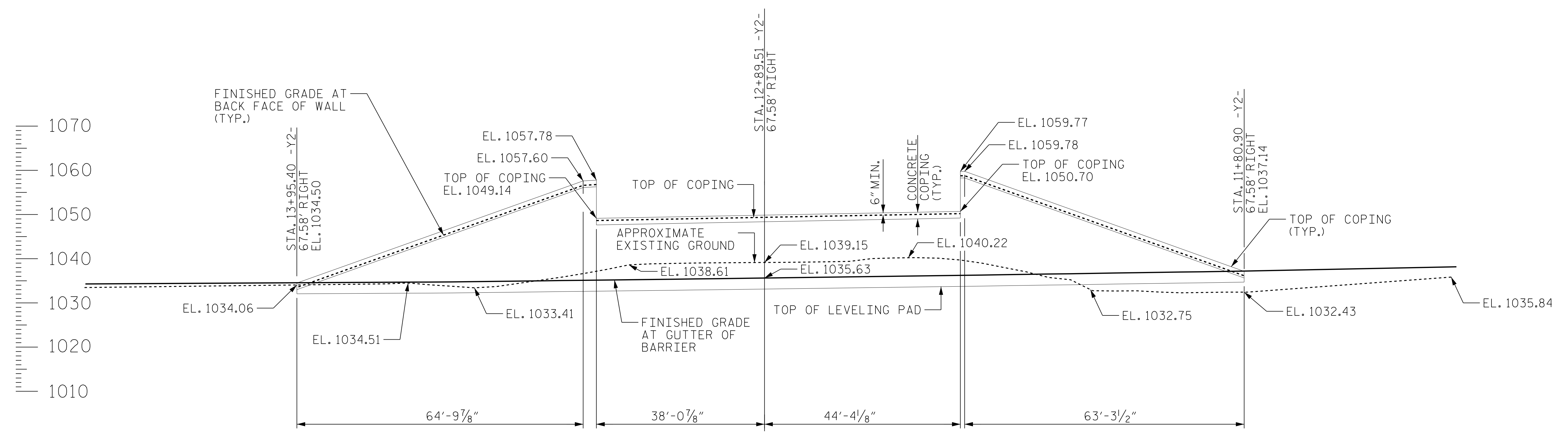
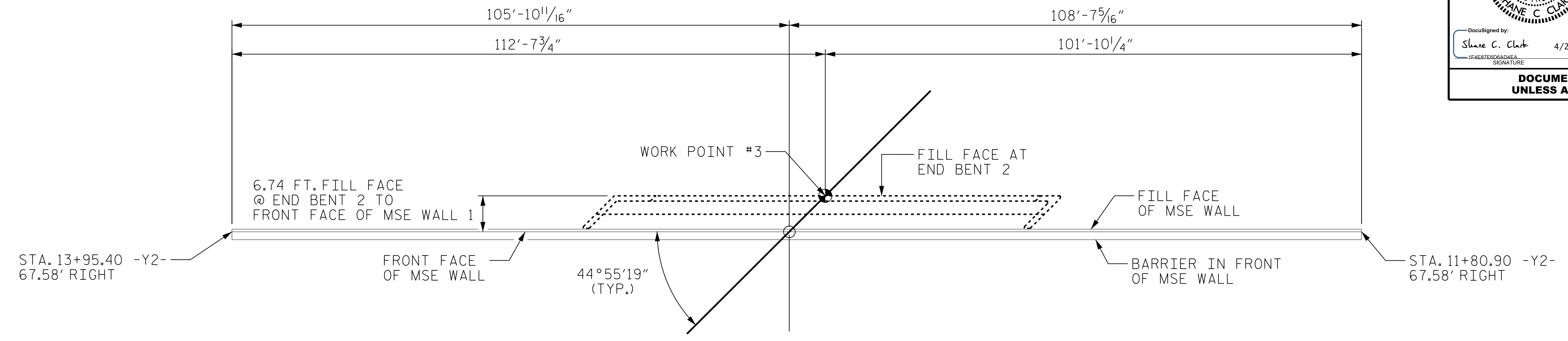
ENGINEER

NORTH CAROLINA  
PROFESSIONAL  
SEAL  
029869  
ENGINEER  
SHANE C. CLARK

DocuSigned by:  
Shane C. Clark 4/27/2020

1F4E7E7ED3AD4E6A SIGNATURE DATE SIGNATURE DATE

DOCUMENT NOT CONSIDERED FINAL  
UNLESS ALL SIGNATURES COMPLETED



MSE WALL QUANTITY (SQUARE FEET)	
MSE RETAINING WALL NO. 2	3,114 SF
* EST. QTY INCLUDES 2 FT EMBEDMENT	

PROJECT NO.: 67047 (BR-0047)  
 STOKES COUNTY  
 STATION: 13+57.28 -Y2-  
 SHEET 2 OF 5

**NORTH CAROLINA**  
 DEPARTMENT OF TRANSPORTATION  
 DIVISION OF HIGHWAYS

**GEOTECHNICAL  
 ENGINEERING UNIT**

REVISIONS						SHEET NO. W-2
NO.	BY	DATE	NO.	BY	DATE	
1	-	-	3	-	-	
2	-	-	4	-	-	

PREPARED BY: SCC	DATE: 4/20/20
REVIEWED BY: ENW	DATE: 4/24/20