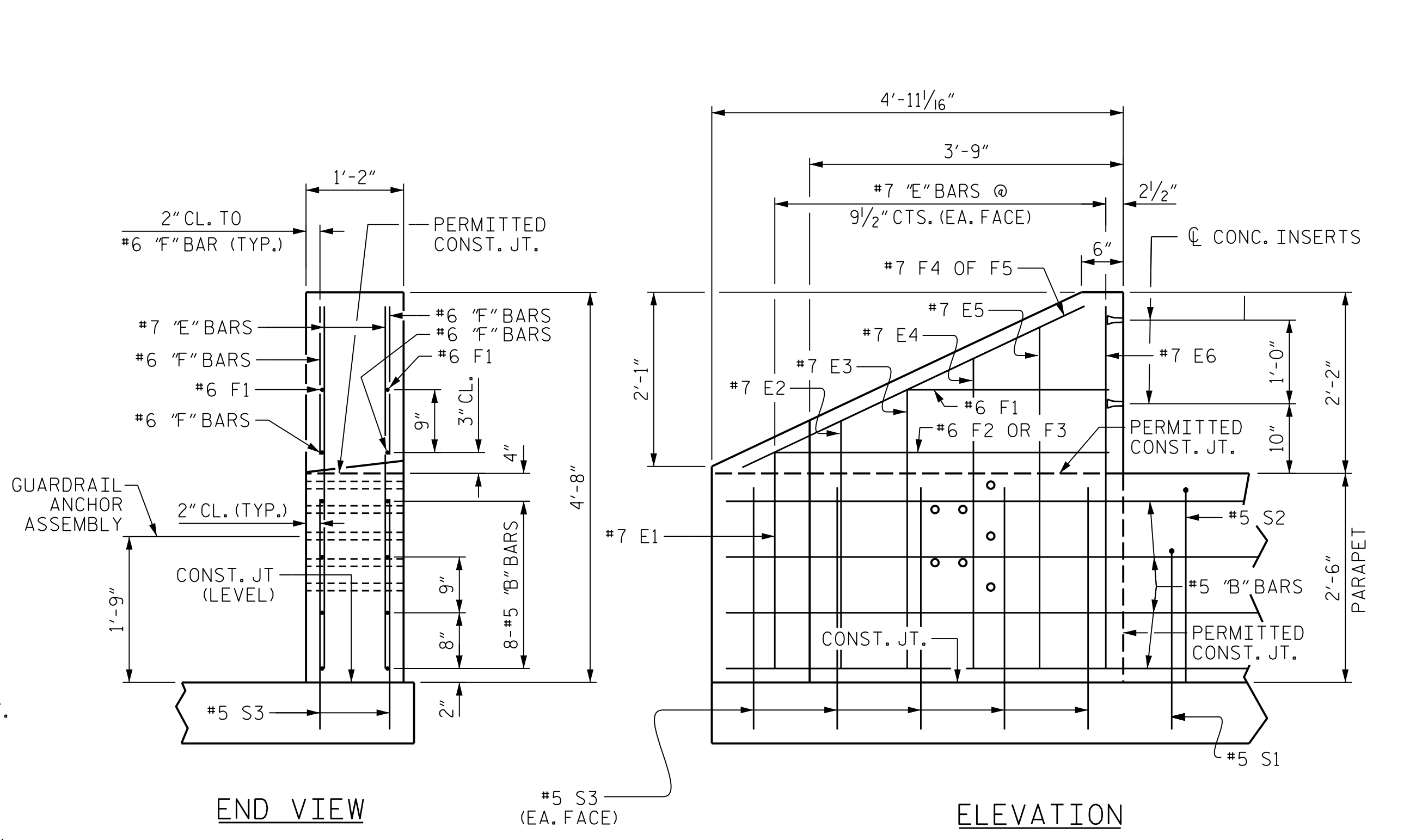
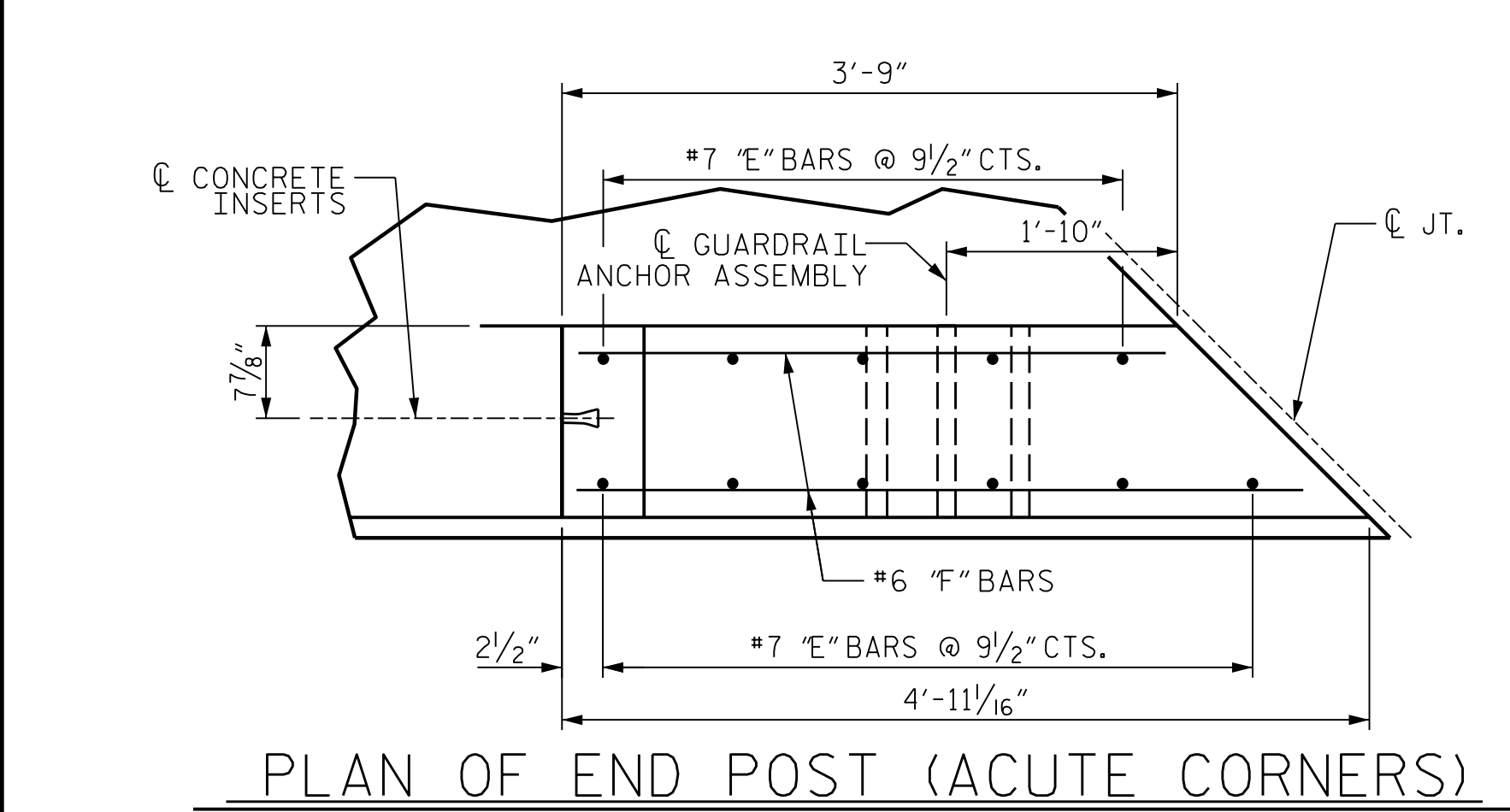
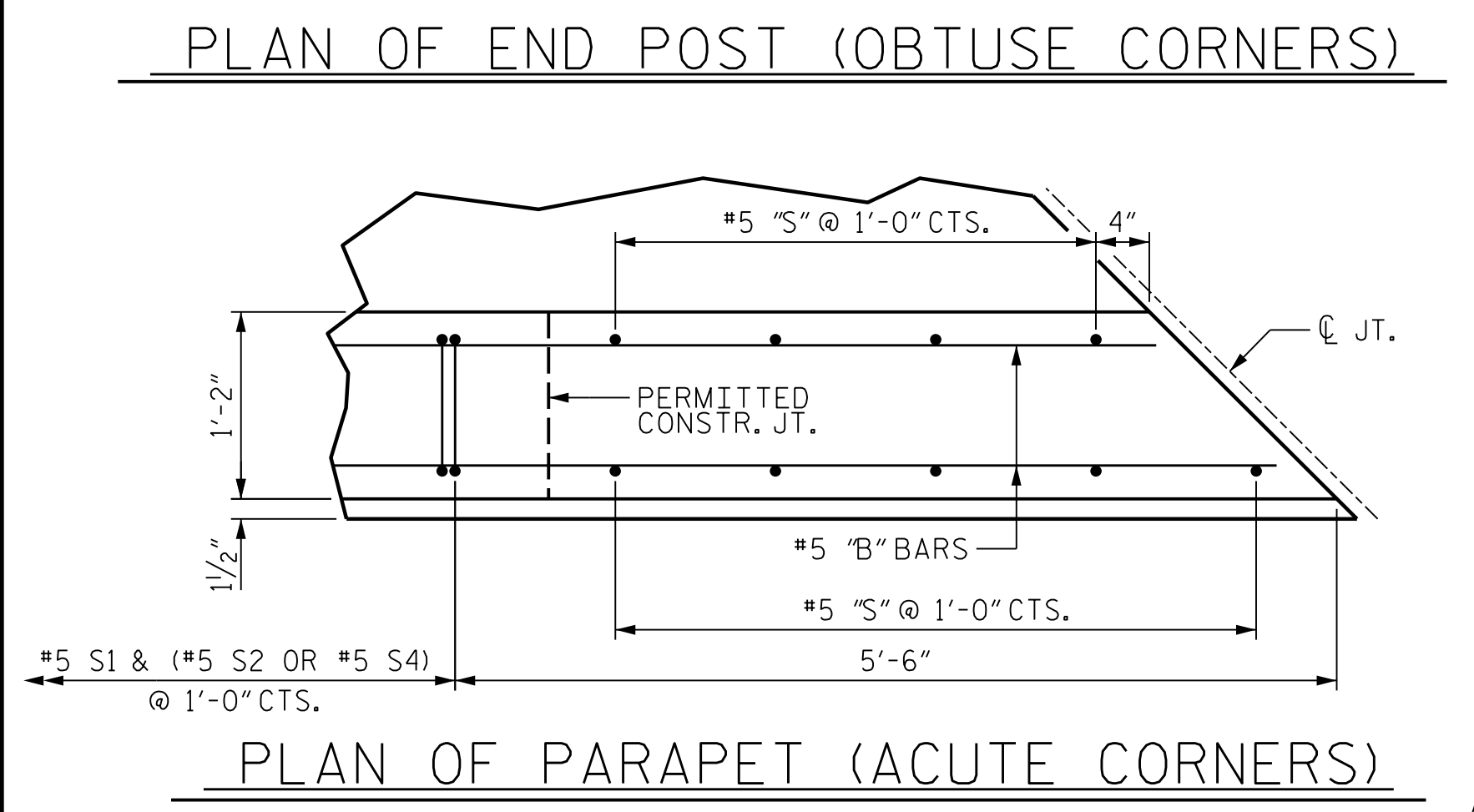
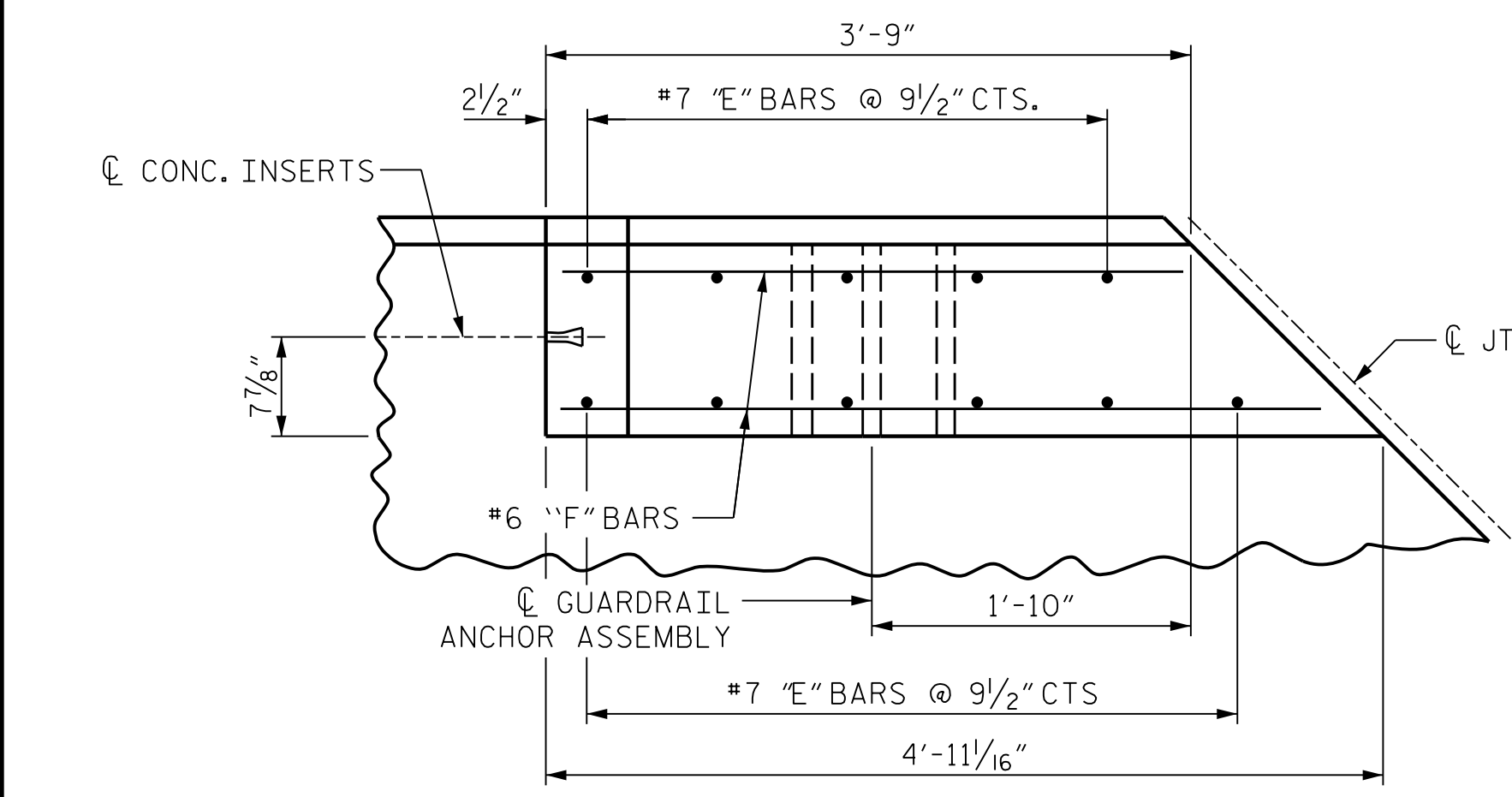
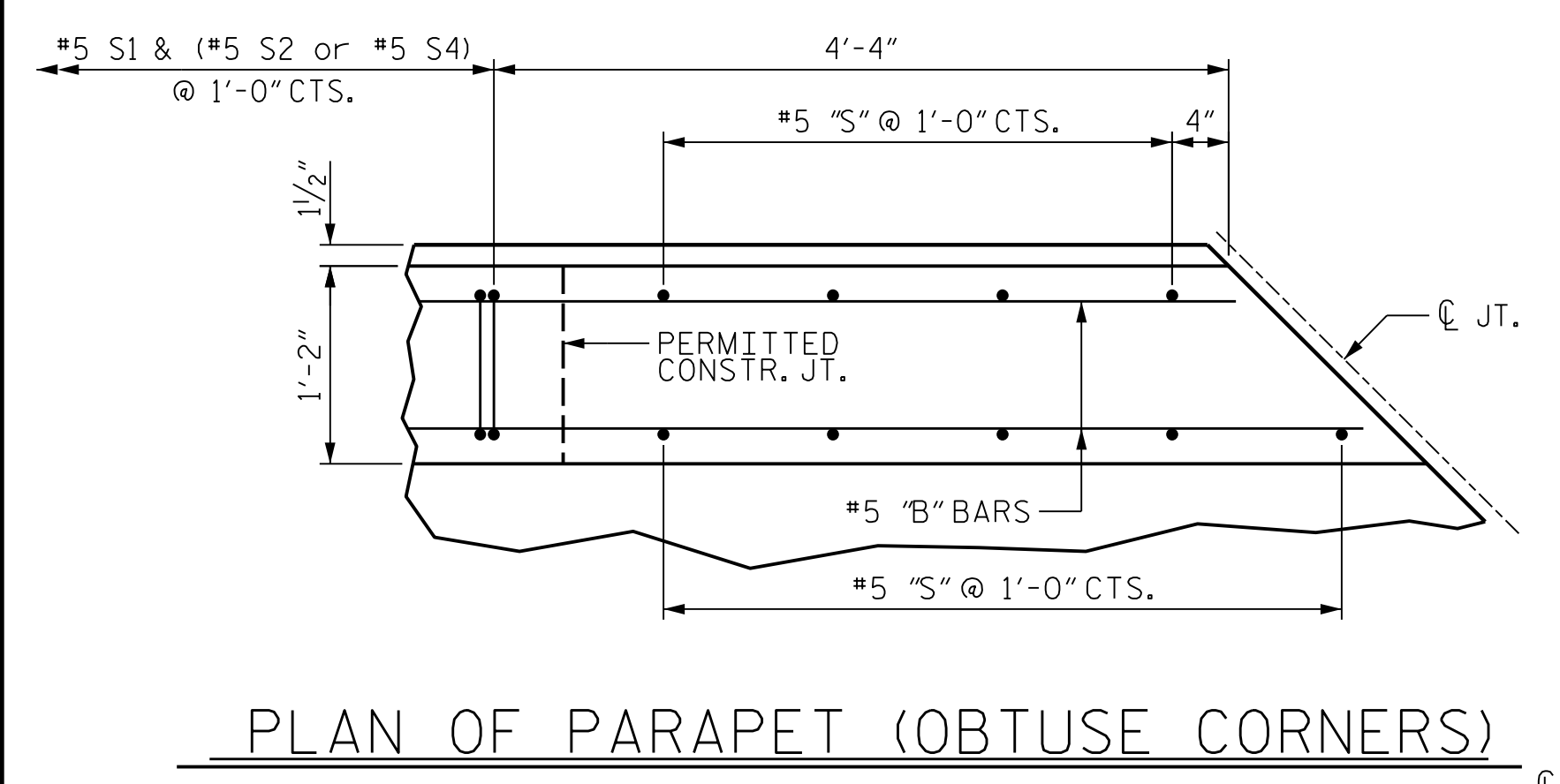
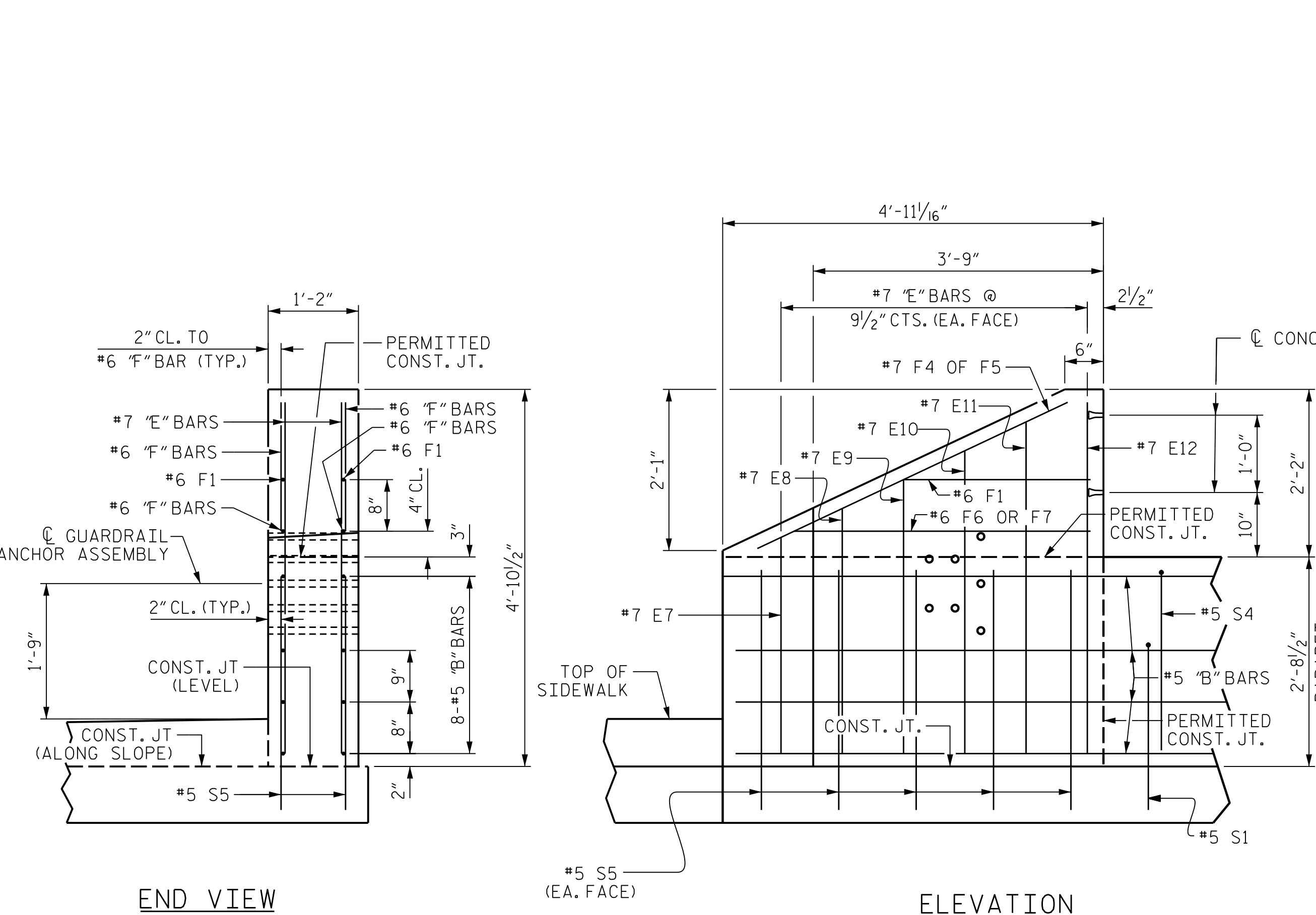


pw:\parrish-pw\entire\parrish-pw\Documents\Surface Transportation\NC001 BR_840010 (BR-0047)\Project Design\Structures\DRAWINGS\FINAL\400_047_BR0047_SMLL_CP_023_084010
 4/9/2020 7:28:46 AM

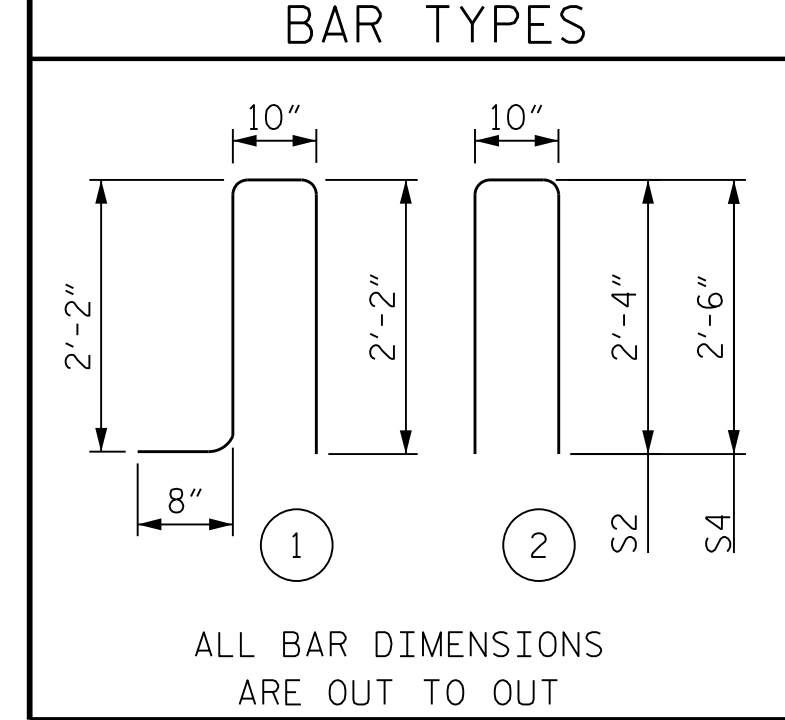


PARAPET AND END POST FOR TWO BAR RAIL (1'-2" X 2'-6")



PARAPET AND END POST FOR TWO BAR RAIL (1'-2" X 2'-8 1/2")

BILL OF MATERIAL 1'-2" X 2'-6" CONCRETE PARAPET						BILL OF MATERIAL 1'-2" X 2'-8 1/2" CONCRETE PARAPET					
BAR NO.	SIZE	TYPE	LENGTH	WEIGHT		BAR NO.	SIZE	TYPE	LENGTH	WEIGHT	
*B1	4	5	STR	13'-6"	56	*B1	4	5	STR	13'-6"	56
*B2	4	5	STR	14'-3"	59	*B2	4	5	STR	14'-3"	59
*B3	4	5	STR	13'-1"	55	*B3	4	5	STR	13'-1"	55
*B4	4	5	STR	12'-4"	51	*B4	4	5	STR	12'-4"	51
*B5	48	5	STR	29'-7"	1481	*B5	48	5	STR	29'-7"	1481
*E1	2	7	STR	2'-7"	11	*E7	2	7	STR	2'-9"	11
*E2	4	7	STR	2'-11"	24	*E8	4	7	STR	3'-2"	26
*E3	4	7	STR	3'-4"	27	*E9	4	7	STR	3'-6"	29
*E4	4	7	STR	3'-8"	30	*E10	4	7	STR	3'-11"	32
*E5	4	7	STR	4'-0"	33	*E11	4	7	STR	4'-3"	35
*E6	4	7	STR	4'-4"	35	*E12	4	7	STR	4'-6"	37
*F1	4	6	STR	2'-5"	15	*F1	4	6	STR	2'-5"	15
*F2	2	6	STR	3'-5"	10	*F4	2	6	STR	3'-5"	10
*F3	2	6	STR	4'-0"	12	*F5	2	6	STR	4'-6"	14
*F4	2	6	STR	3'-5"	10	*F6	2	6	STR	3'-10"	12
*F5	2	6	STR	4'-6"	14	*F7	2	6	STR	3'-5"	10
*S1	199	5	1	5'-10"	1211	*S1	199	5	1	5'-10"	1211
*S2	199	5	2	5'-6"	1142	*S4	199	5	2	5'-10"	1211
*S3	18	5	STR	2'-10"	53	*S5	18	5	STR	3'-0"	56
* EPOXY COATED REINFORCING STEEL LBS. 4329						* EPOXY COATED REINFORCING STEEL LBS. 4411					
CLASS AA CONCRETE CU.YDS. 22.8						CLASS AA CONCRETE CU.YDS. 24.7					
TOTAL LIN. FT. OF CONCRETE PARAPET 207.43						TOTAL LIN. FT. OF CONCRETE PARAPET 207.43					



PROJECT NO. BR-0047
 STOKES COUNTY
 STATION: 18+27.98 -L-
 SHEET 2 OF 2



DOCUMENT NOT CONSIDERED FINAL UNLESS ALL SIGNATURES COMPLETED

STATE OF NORTH CAROLINA
 DEPARTMENT OF TRANSPORTATION
 RALEIGH
CONCRETE PARAPET DETAILS

DRAWN BY: G.C. MORRIS DATE: 08-19
 CHECKED BY: W.S. ARAFAT DATE: 11-19
 DESIGN ENGINEER OF RECORD: O. PUIGSERVER DATE: 09-19

PARRISH & PARTNERS
 Parrish and Partners of North Carolina, PLLC
 421 Fayetteville St., #1100
 Raleigh, NC 27601
 NC License #P-1212

REVISIONS						SHEET NO.
NO.	BY:	DATE:	NO.	BY:	DATE:	
1			3			S-23
2			4			TOTAL SHEETS 39