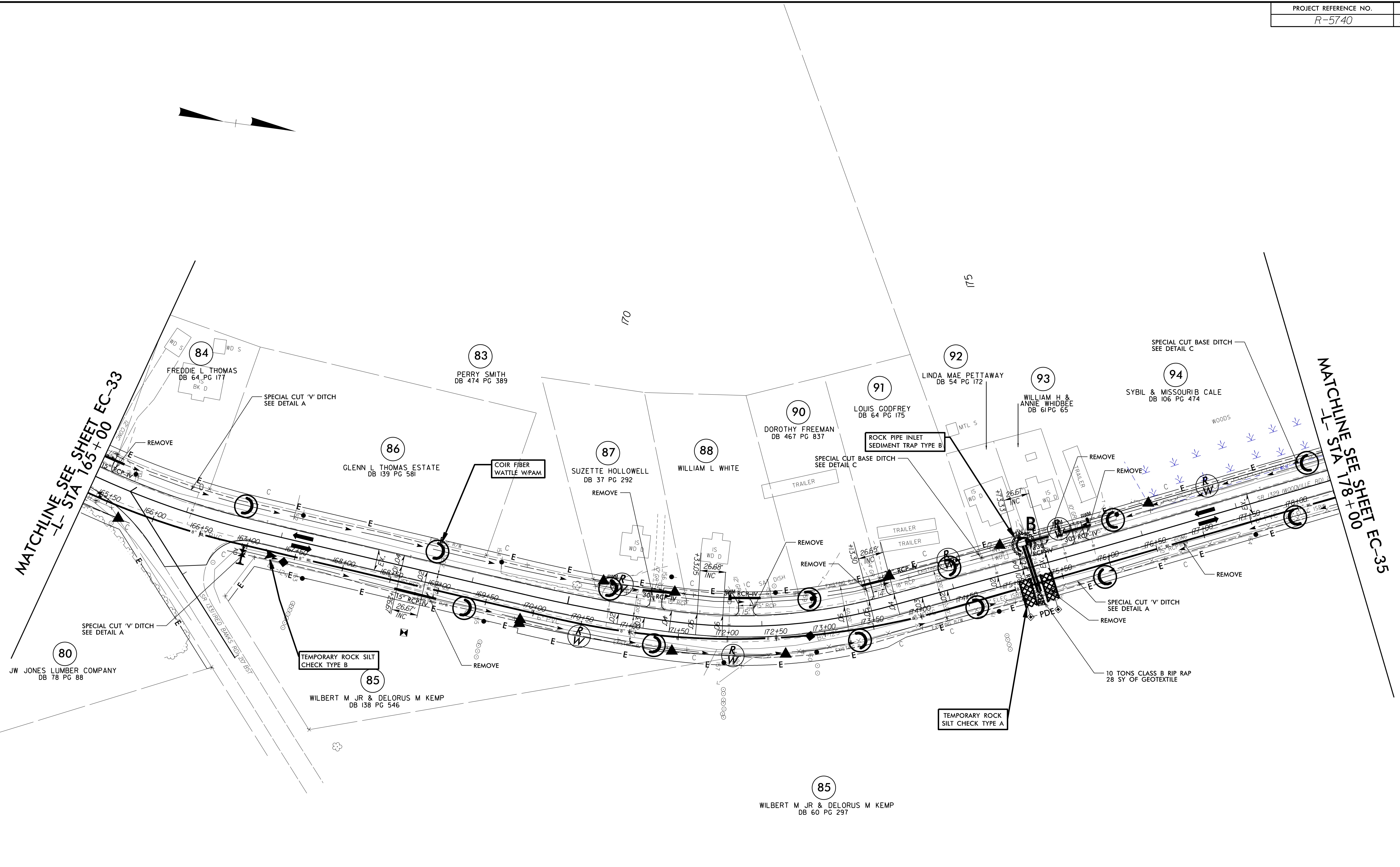
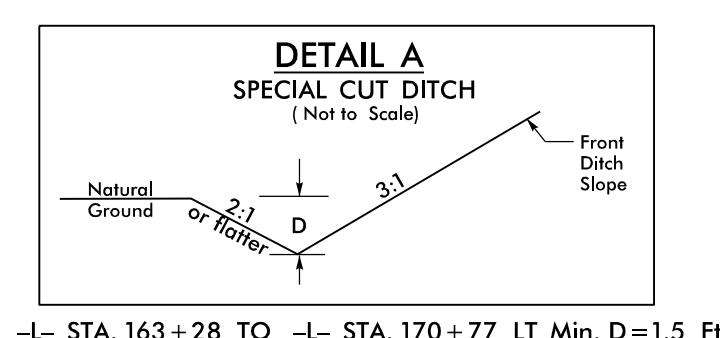


5/14/99
 19_DEC-2018 09:51
 C:\NCDOT\19_DEC-2018\09:51\Hydr-aui\cs\CADD\PSH\E&S\C\R5740_rdy_PSH_34.dgn
 \$\$\$\$SUNSHINE\$\$\$\$

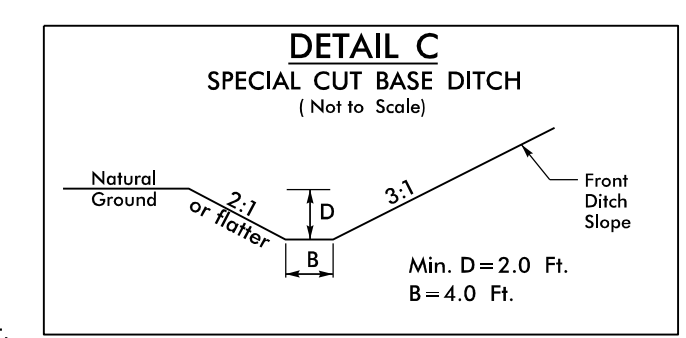


MATCHLINE SEE SHEET EC-33
 -L- STA 165+00

MATCHLINE SEE SHEET EC-35
 -L- STA 178+00



FROM -L- STA. 163+28 TO -L- STA. 170+77 LT Min. D=1.5 Ft.
 FROM -L- STA. 166+47 TO -L- STA. 174+82 RT Min. D=1.0 Ft.
 FROM -L- STA. 174+83 TO -L- STA. 188+42 RT Min. D=1.5 Ft.



FROM -L- STA. 170+77 TO -L- STA. 174+81 LT
 FROM -L- STA. 174+81 TO -L- STA. 189+01 LT

INSTALL MATTING FOR
 EROSION CONTROL IN THE
 PROPOSED DITCH LINE.