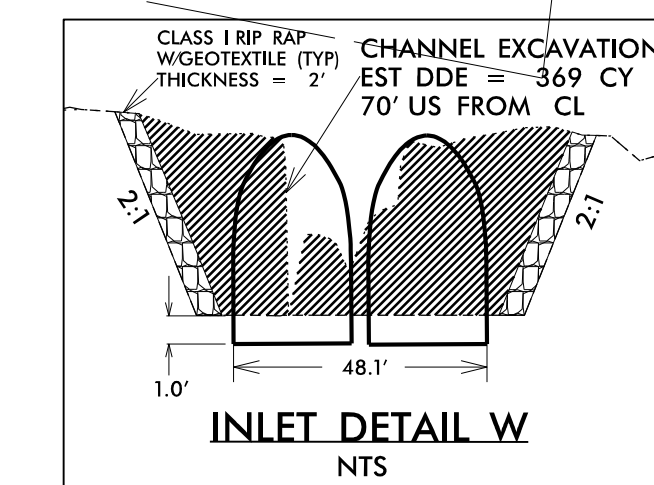
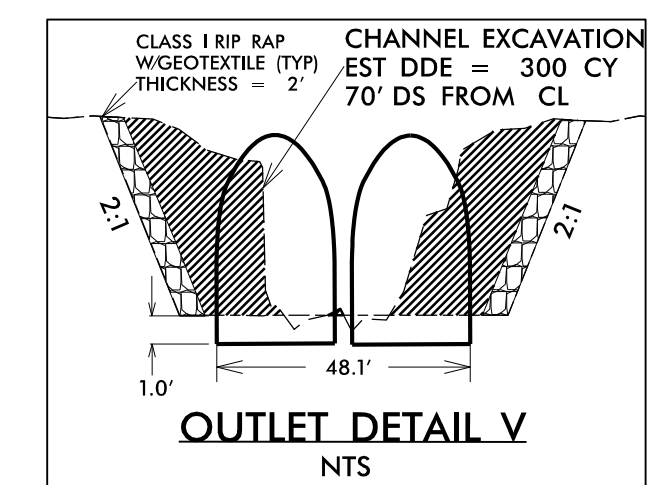
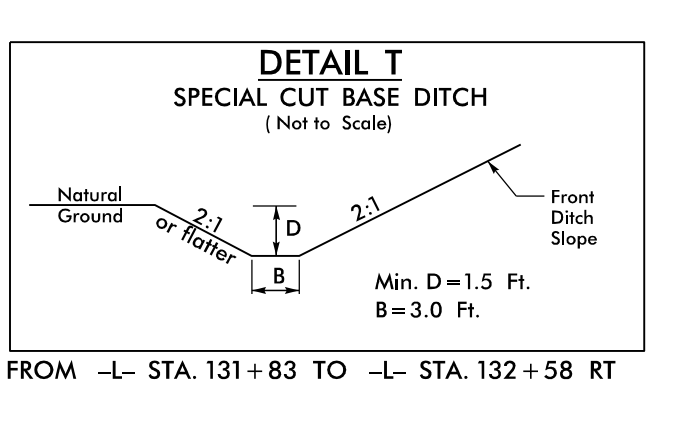
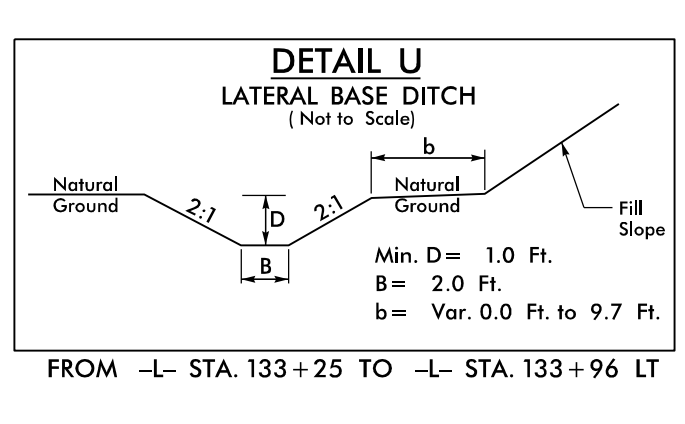
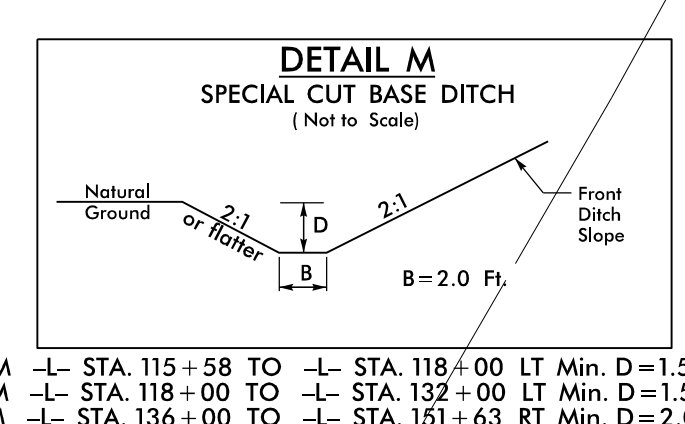
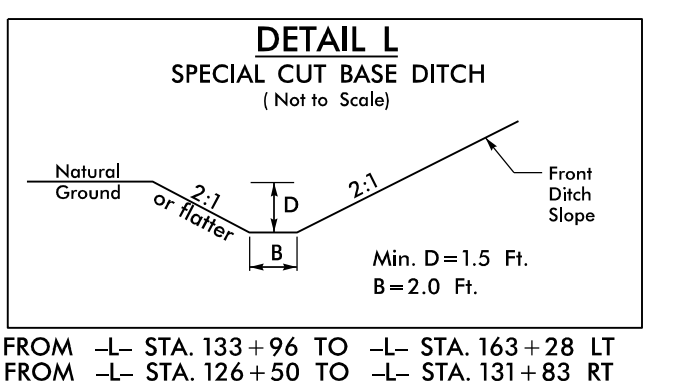
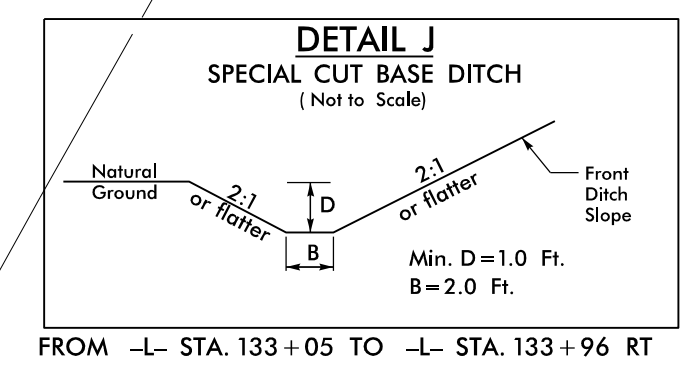
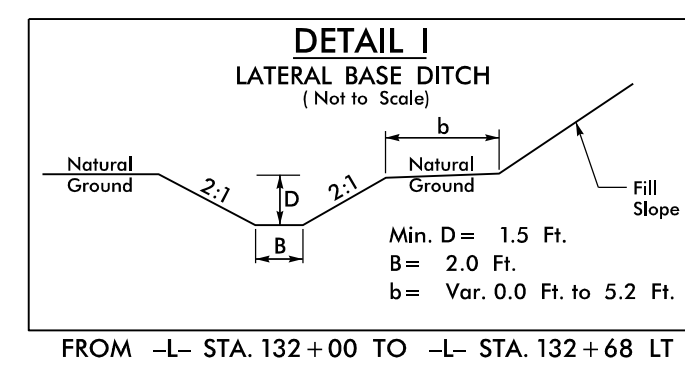
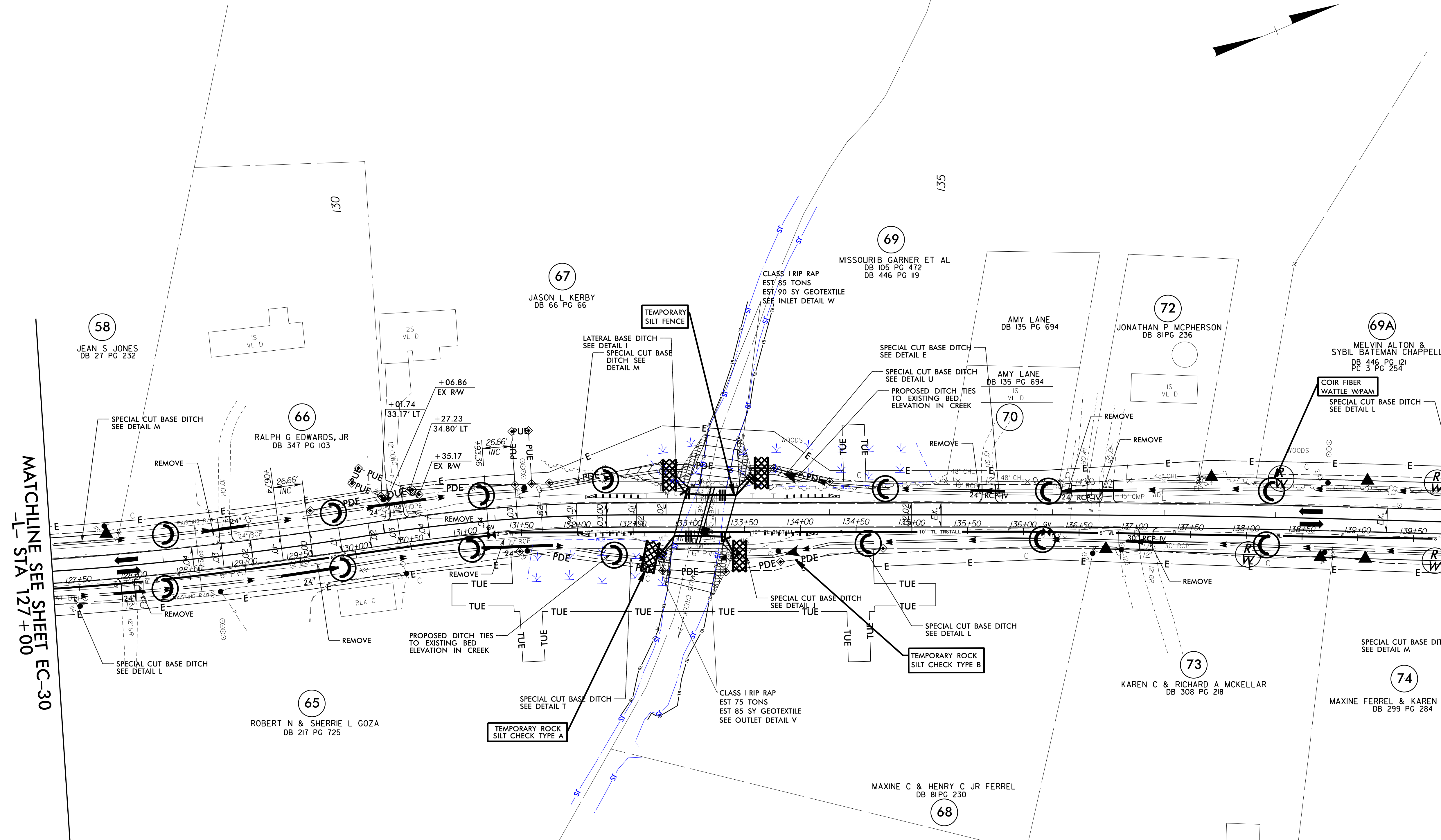


5/14/99  
05\_APR-2020\_16:37  
N:\CADD\PSHA\EC&SC\R5740\_rdy\_PSH\_31.dgn

MATCHLINE SEE SHEET EC-30  
-L- STA 127+00

MATCHLINE SEE SHEET EC-32  
-L- STA 140+00



INSTALL MATTING FOR EROSION CONTROL IN THE PROPOSED DITCH LINE.