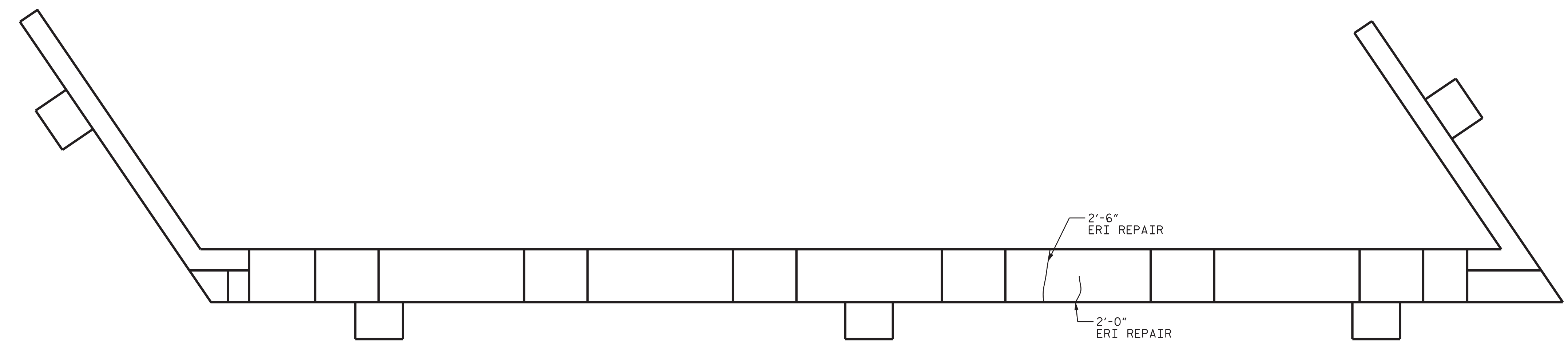


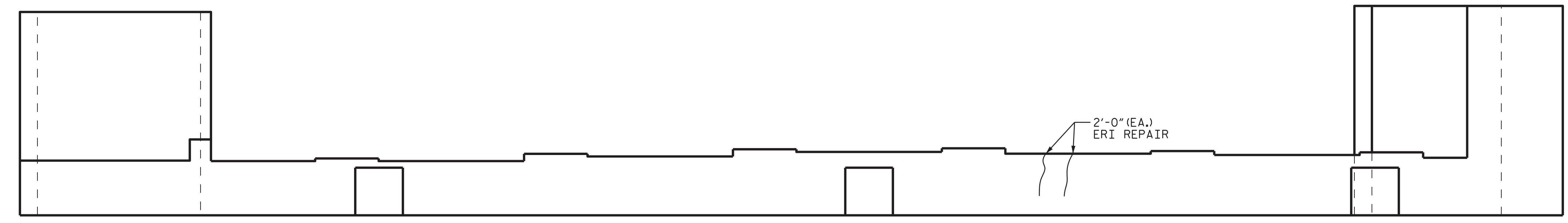
### AS-BUILT REPAIR QUANTITY TABLE

REPAIRS	QUANTITIES			
	ESTIMATE		ACTUAL	
END BENT 1				
SHOTCRETE REPAIRS	AREA SF	VOLUME CF	AREA SF	VOLUME CF
CAP	0.0	0.0		
CONCRETE REPAIRS	AREA SF	VOLUME CF	AREA SF	VOLUME CF
CAP	0.0	0.0		
EPOXY RESIN INJECTION		LN. FT.		LN. FT.
CAP		8.5		

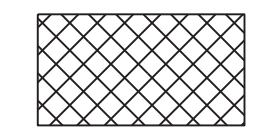


VALUES IN CHART REPRESENT ESTIMATED REPAIR TOTALS AFTER REMOVAL OF UNSOUND CONCRETE, MIN. OF 1" BEHIND REBAR AND 2" MIN. CLEAR TO SAWCUT.



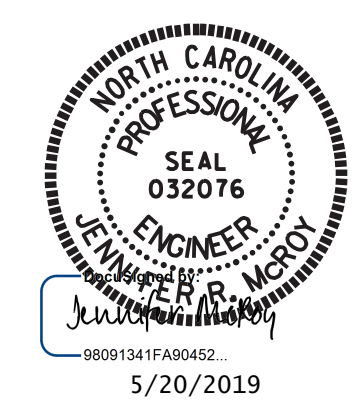
TOP OF CAP @ END BENT 1



ELEVATION @ END BENT 1 (SPAN A)

 SHOTCRETE REPAIR  
 CONCRETE REPAIR  
 EPOXY RESIN INJECTION (ERI)

PROJECT NO. 15BPR.45  
PENDER COUNTY  
 BRIDGE NO. 700219



STATE OF NORTH CAROLINA  
 DEPARTMENT OF TRANSPORTATION  
 RALEIGH

## END BENT 1

**VOLKERT**  
 5540 Centerview Drive, Suite 305  
 Raleigh, NC 27606  
 Tel. 919-854-0344 Fax. 919-854-0355  
 NC License No. F-0765

DOCUMENT NOT CONSIDERED FINAL UNLESS ALL SIGNATURES COMPLETED

REVISIONS						SHEET NO.
NO.	BY:	DATE:	NO.	BY:	DATE:	S2-9
1			3			TOTAL SHEETS
2			4			31

DRAWN BY : R. G. BEAUCHAMP DATE : 3/19  
 CHECKED BY : J. R. MCROY DATE : 3/19