

NOTES

REPAIR LOCATIONS AND ESTIMATED QUANTITIES ARE GIVEN WITH THE BEST INFORMATION AVAILABLE. IF ADDITIONAL REPAIRS NOT SHOWN ON THE DRAWINGS ARE DEEMED NECESSARY BY THE ENGINEER, THE ENGINEER WILL NOTE ON THE DRAWINGS THE APPROXIMATE LOCATIONS AND DESCRIPTION OF THE REPAIRS AND ADJUST THE ACTUAL QUANTITIES ENTERED INTO THE REPAIR SUMMARY OF QUANTITIES TABLE.

FOR BENT REPAIRS, SEE "TYPICAL CAP AND COLUMN REPAIR DETAILS" SHEET.

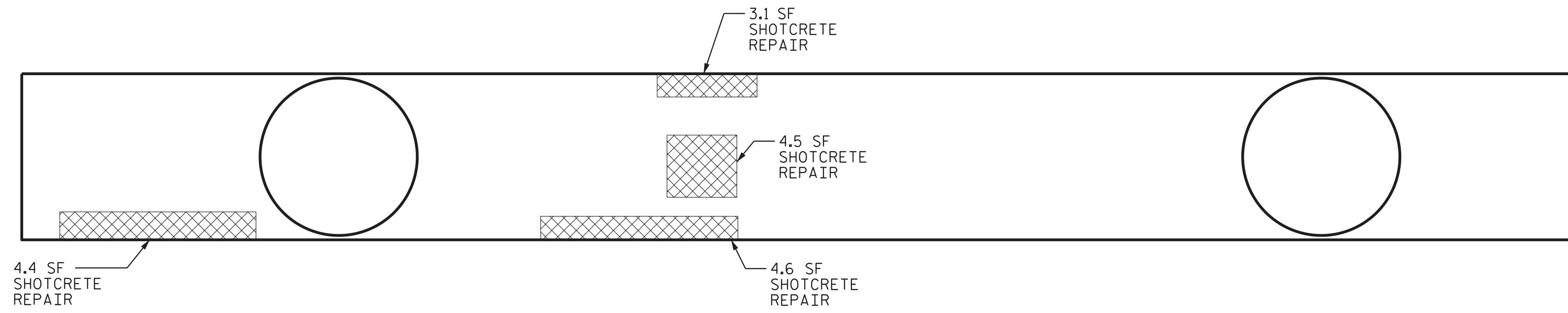
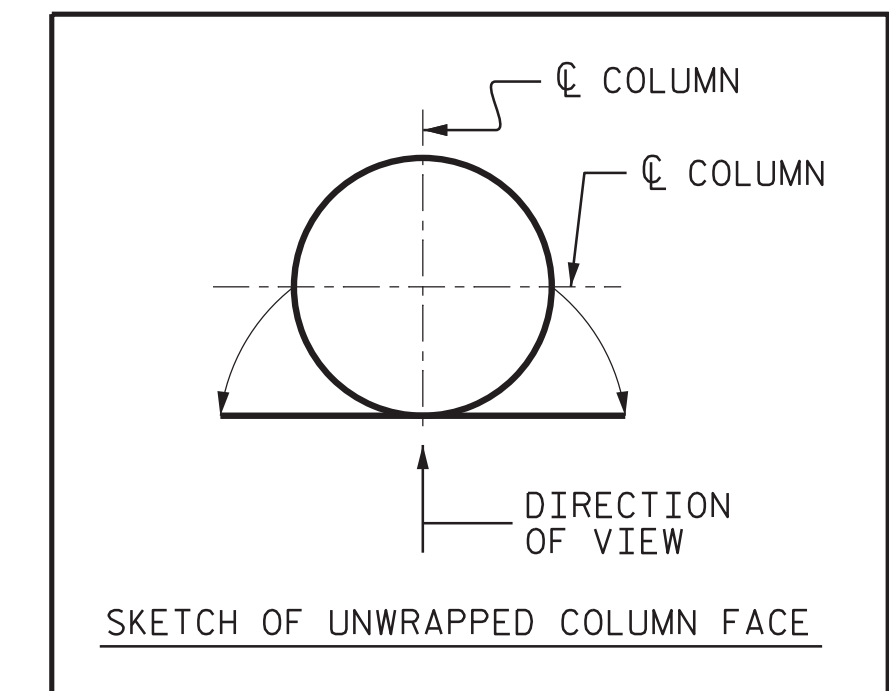
CONCRETE REPAIRS MAY BE SUBSTITUTED IN LIEU OF SHOTCRETE REPAIRS WITH THE APPROVAL OF THE ENGINEER.

EPOXY COATING SHALL BE APPLIED TO TOP FACE OF THE CAP. THE CONTRACTOR SHALL NOT COAT THE AREA OF THE CAP BENEATH THE MASONRY PLATES. FOR EPOXY COATING, SEE SPECIAL PROVISIONS.

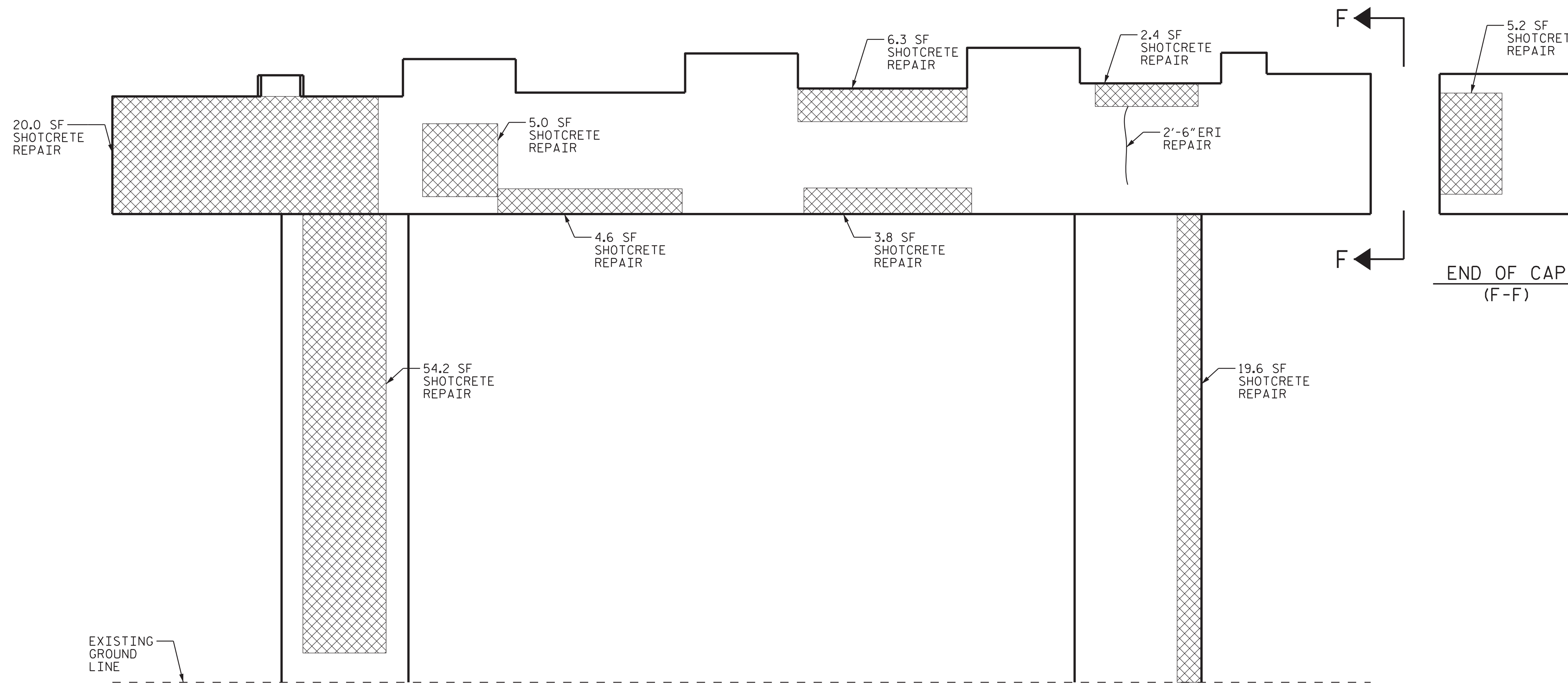
 SHOTCRETE REPAIR

 CONCRETE REPAIR

 EPOXY RESIN INJECTION (ERI)



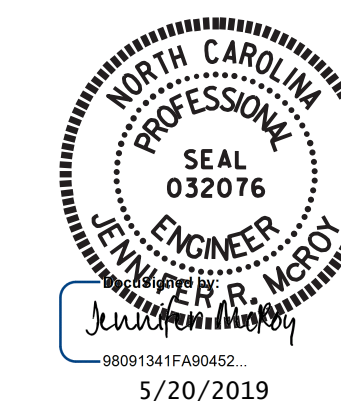
BOTTOM OF CAP @ BENT 3



ELEVATION @ BENT 3 (SPAN D)

(COLUMN FACE IS SHOWN UNWRAPPED FOR CLARITY)

PROJECT NO. 15BPR.45
DUPLIN COUNTY
 BRIDGE NO. 300433



STATE OF NORTH CAROLINA
 DEPARTMENT OF TRANSPORTATION
 RALEIGH

**BENT 3
 (SPAN D)**



5540 Centerview Drive, Suite 305
 Raleigh, NC 27606
 Tel. 919-854-0344 Fax. 919-854-0355
 NC License No. F-0765

DOCUMENT NOT CONSIDERED
 FINAL UNLESS ALL
 SIGNATURES COMPLETED

REVISIONS						SHEET NO.
NO.	BY:	DATE:	NO.	BY:	DATE:	
1			3			S1-16
2			4			TOTAL SHEETS: 31

DRAWN BY: R. G. BEAUCHAMP DATE: 3/19
 CHECKED BY: J. R. MCROY DATE: 3/19