

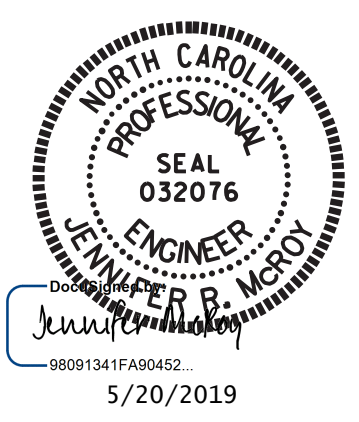
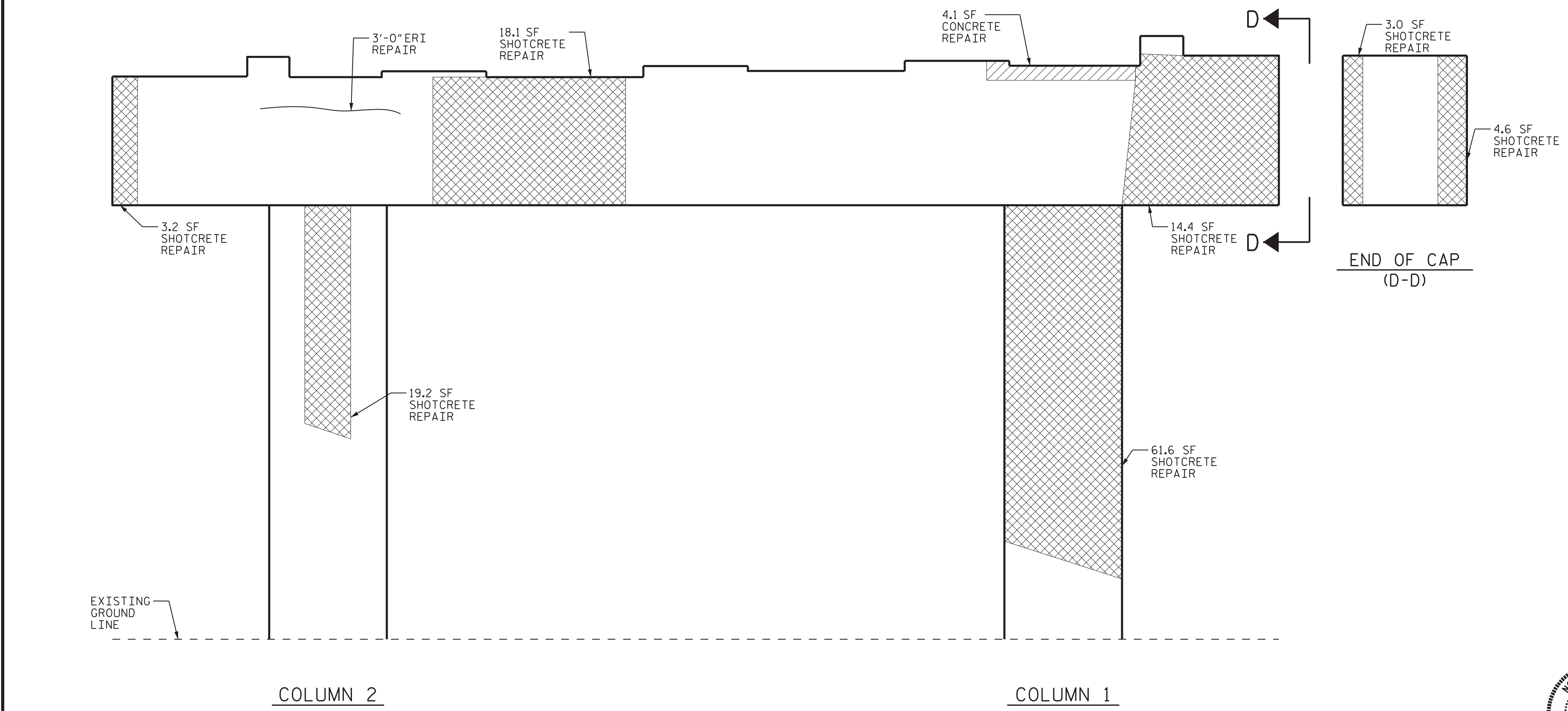
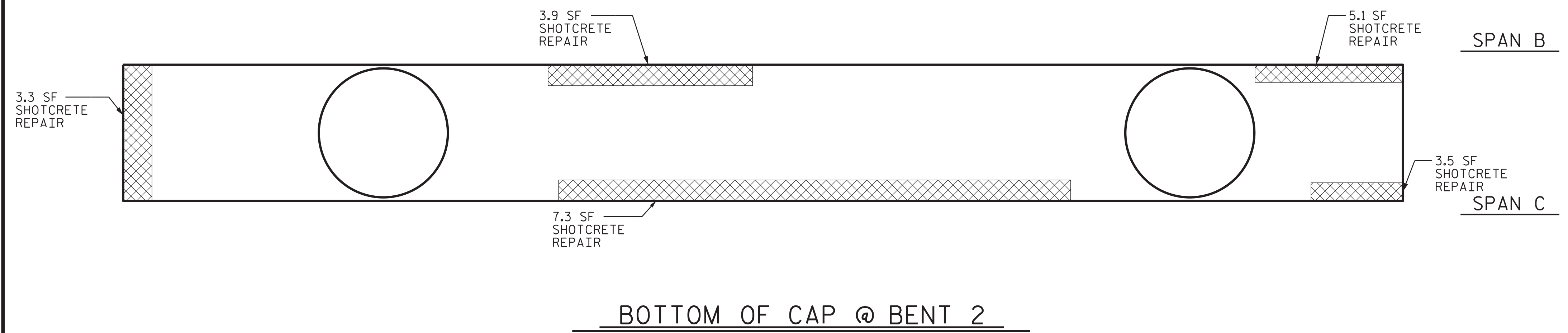
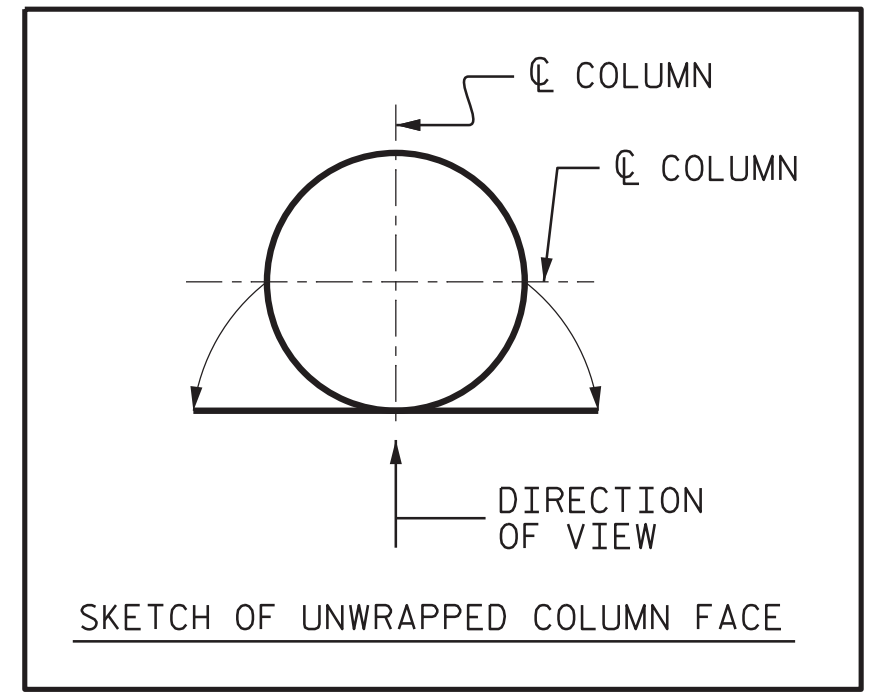
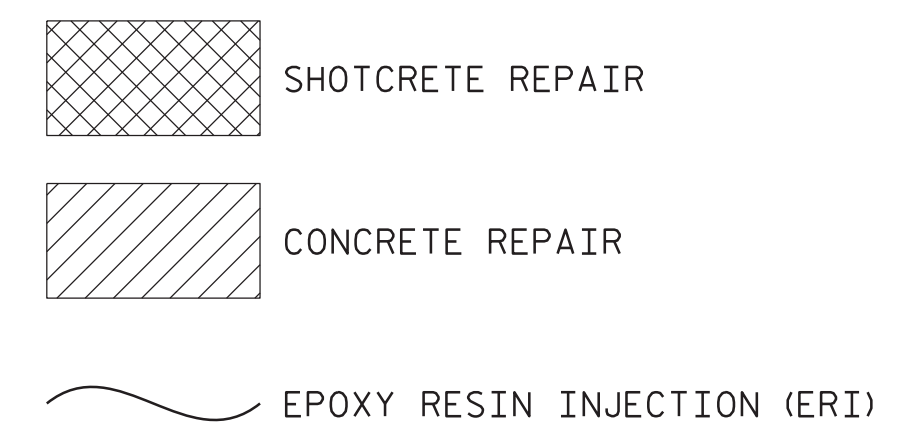
**NOTES**

REPAIR LOCATIONS AND ESTIMATED QUANTITIES ARE GIVEN WITH THE BEST INFORMATION AVAILABLE. IF ADDITIONAL REPAIRS NOT SHOWN ON THE DRAWINGS ARE DEEMED NECESSARY BY THE ENGINEER, THE ENGINEER WILL NOTE ON THE DRAWINGS THE APPROXIMATE LOCATIONS AND DESCRIPTION OF THE REPAIRS AND ADJUST THE ACTUAL QUANTITIES ENTERED INTO THE REPAIR SUMMARY OF QUANTITIES TABLE.

FOR BENT REPAIRS, SEE "TYPICAL CAP AND COLUMN REPAIR DETAILS" SHEET.

CONCRETE REPAIRS MAY BE SUBSTITUTED IN LIEU OF SHOTCRETE REPAIRS WITH THE APPROVAL OF THE ENGINEER.

EPOXY COATING SHALL BE APPLIED TO TOP FACE OF THE CAP. THE CONTRACTOR SHALL NOT COAT THE AREA OF THE CAP BENEATH THE MASONRY PLATES. FOR EPOXY COATING, SEE SPECIAL PROVISIONS.



PROJECT NO. 15BPR.45  
DUPLIN COUNTY  
 BRIDGE NO. 300433

STATE OF NORTH CAROLINA  
 DEPARTMENT OF TRANSPORTATION  
 RALEIGH  
  
**BENT 2  
(SPAN C)**

**VOLKERT**

5540 Centerview Drive, Suite 305  
 Raleigh, NC 27606  
 Tel. 919-854-0344 Fax. 919-854-0355  
 NC License No. F-0765

DOCUMENT NOT CONSIDERED FINAL UNLESS ALL SIGNATURES COMPLETED

REVISIONS						SHEET NO.
NO.	BY:	DATE:	NO.	BY:	DATE:	S1-14
1			3			TOTAL SHEETS
2			4			31

DRAWN BY: R. G. BEAUCHAMP DATE: 3/19  
 CHECKED BY: J. R. MCROY DATE: 3/19