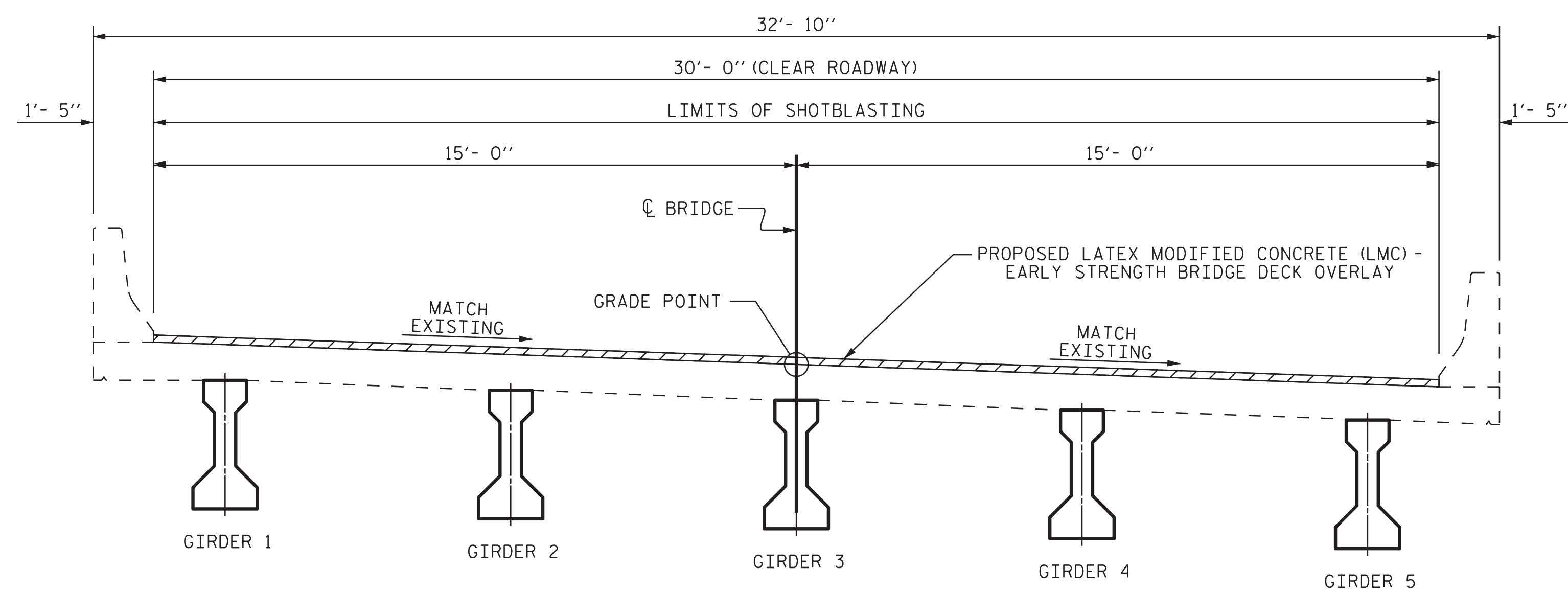
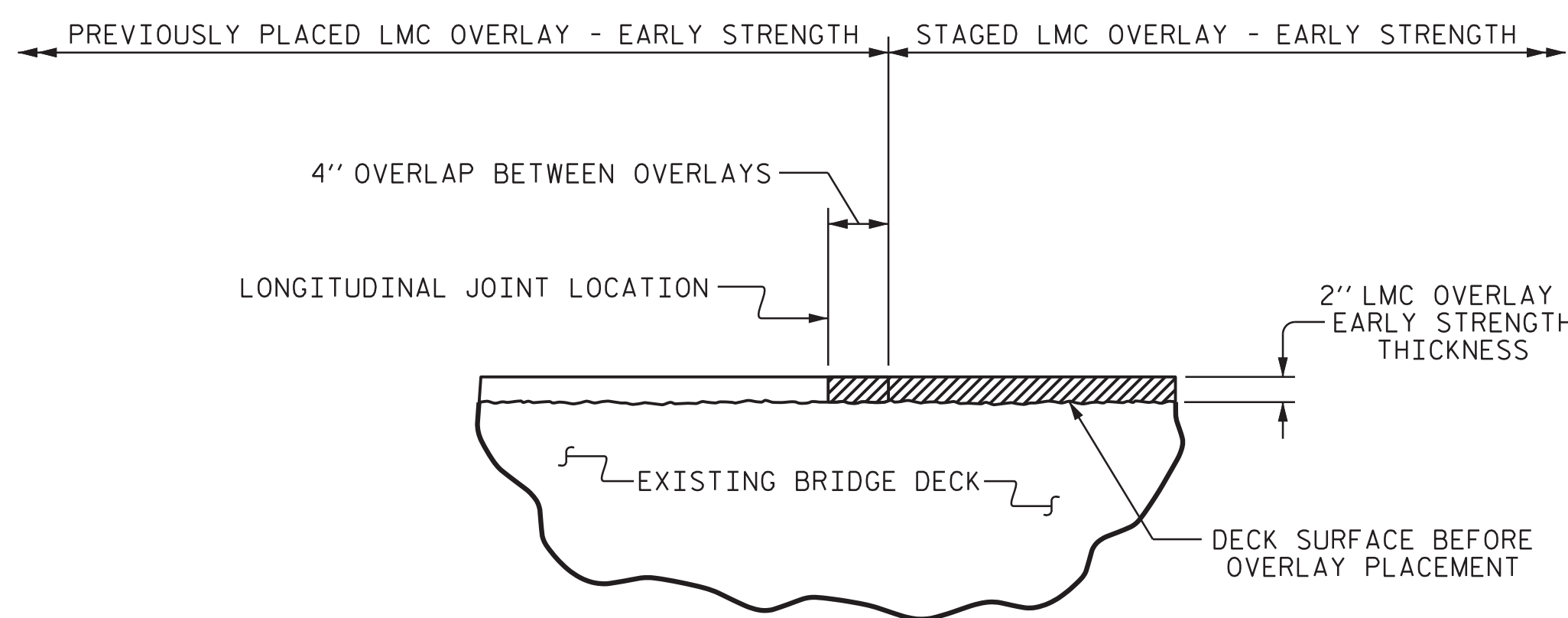


EXISTING TYPICAL SECTION

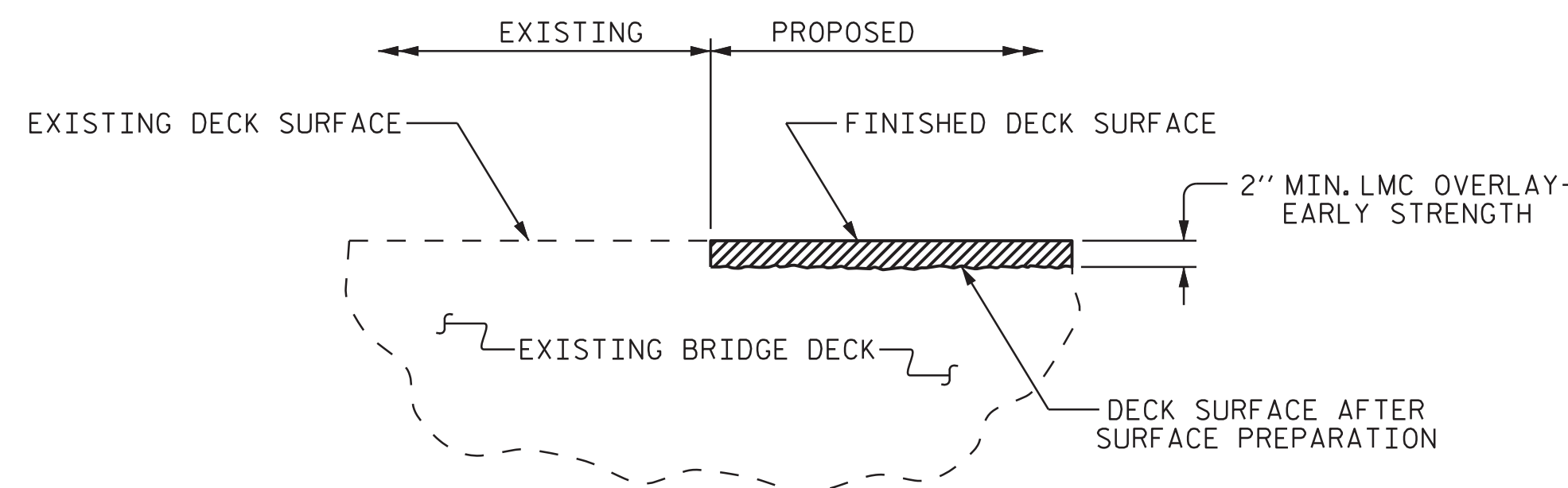


PROPOSED TYPICAL SECTION



STAGED LATEX MODIFIED CONCRETE OVERLAY JOINT

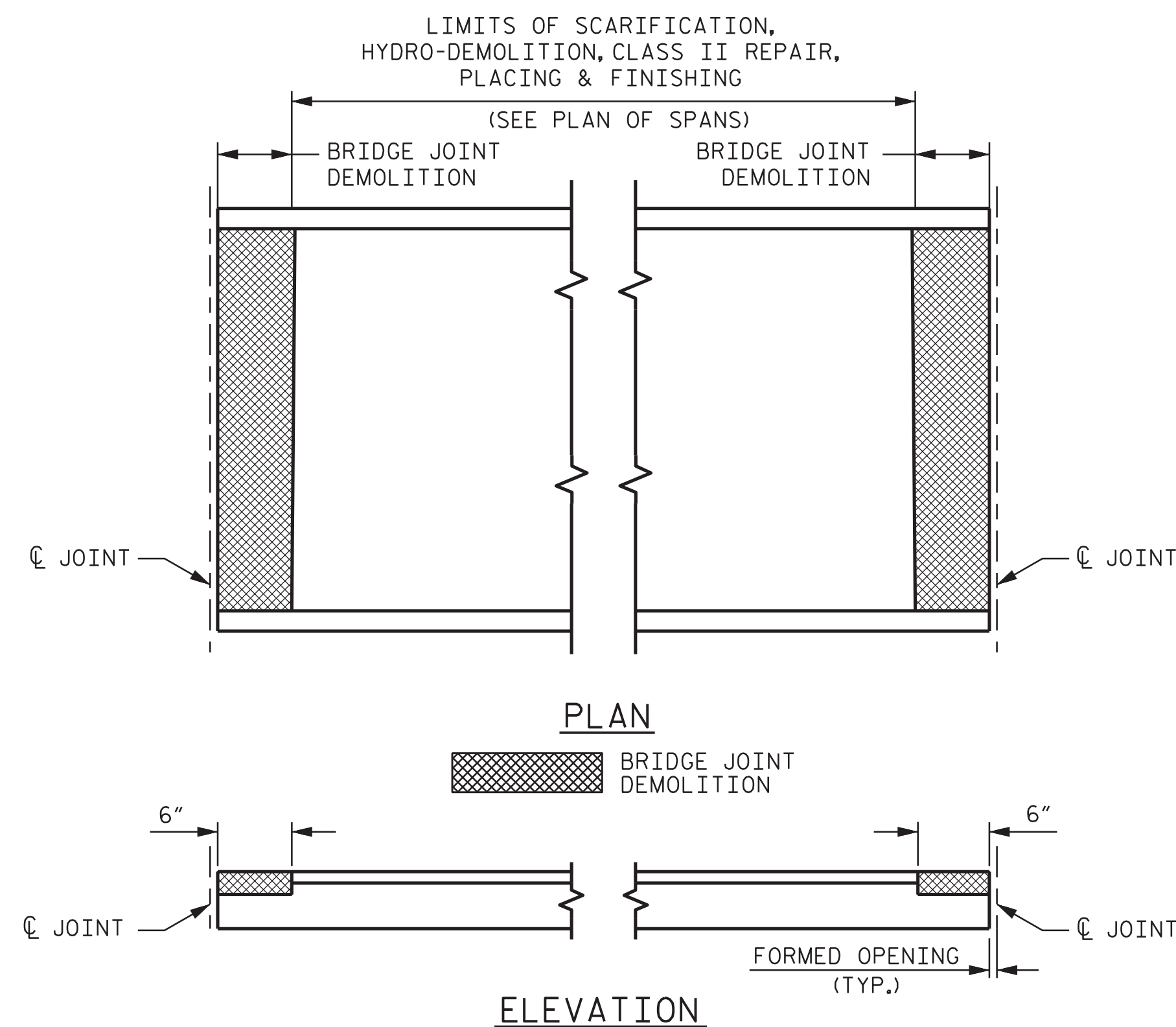
(AS NEEDED)



DETAIL OF LATEX MODIFIED CONCRETE OVERLAY

NOTES

SEE TRANSPORTATION MANAGEMENT PLANS FOR LANE WIDTHS, SEQUENCING, AND OTHER TRAFFIC CONTROL MEASURES FOR STAGING OF OVERLAY SURFACE PREPARATION AND LATEX MODIFIED CONCRETE - EARLY STRENGTH PLACEMENT.

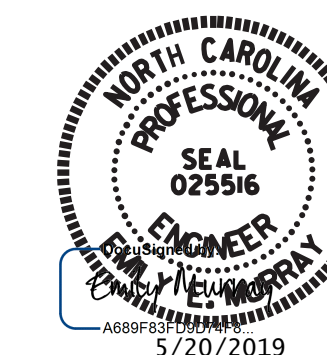


PAY LIMITS FOR OVERLAY BID ITEMS

PROJECT NO. 15BPR.45
 DUPLIN COUNTY
 BRIDGE NO. 300433

STATE OF NORTH CAROLINA
 DEPARTMENT OF TRANSPORTATION
 RALEIGH

TYPICAL SECTION



VOLKERT
 5540 Centerview Drive, Suite 305
 Raleigh, NC 27606
 Tel. 919-854-0344 Fax. 919-854-0355
 NC License No. F-0765

DOCUMENT NOT CONSIDERED
 FINAL UNLESS ALL
 SIGNATURES COMPLETED

REVISIONS						SHEET NO.
NO.	BY:	DATE:	NO.	BY:	DATE:	TOTAL SHEETS
1			3			31
2			4			

DRAWN BY : J.R. MCROY DATE : 03/19
 CHECKED BY : D.A. GLADDEN DATE : 04/19