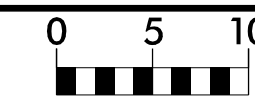
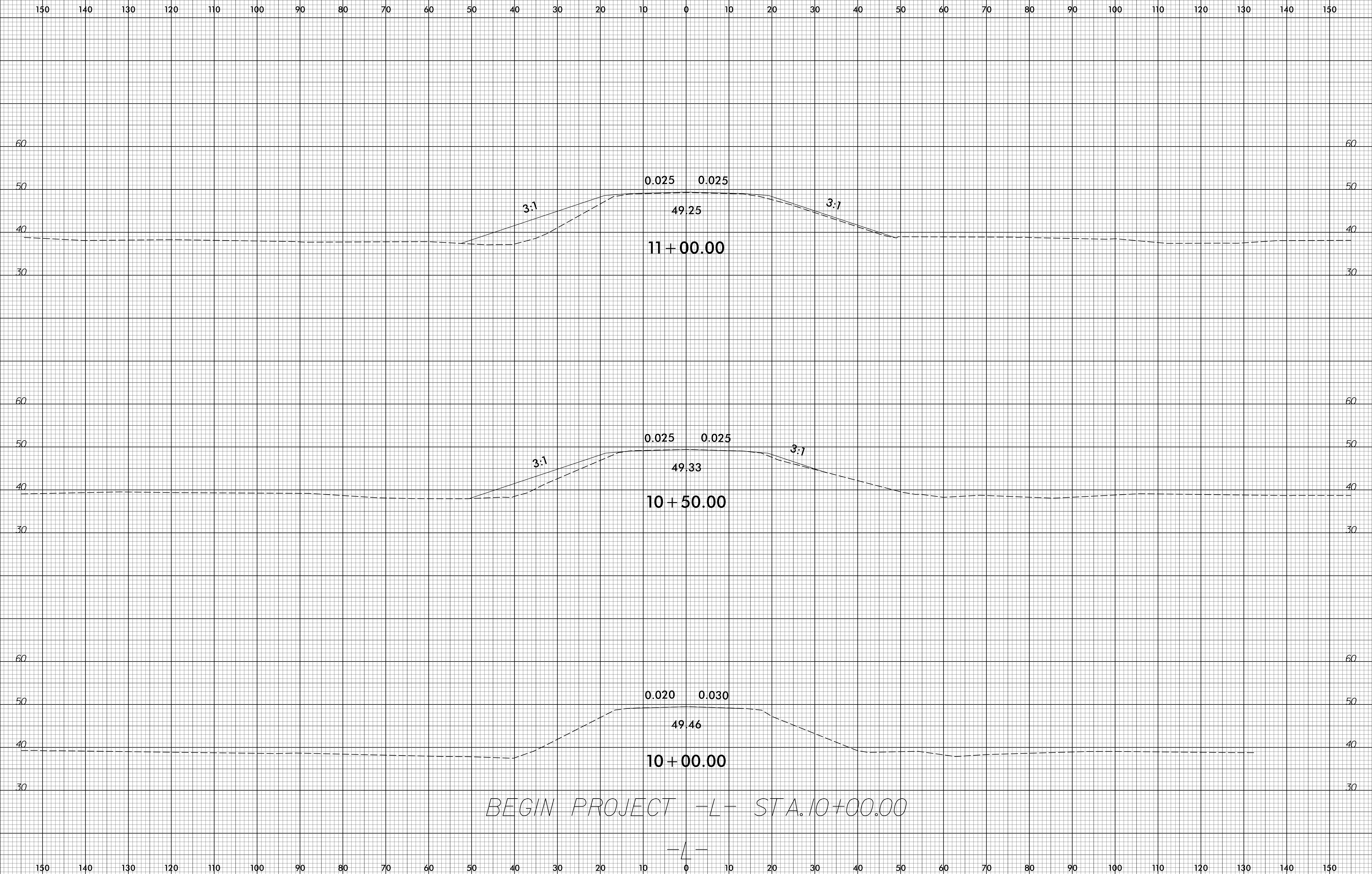


6/23/16



PROJ. REFERENCE NO.
B-5662

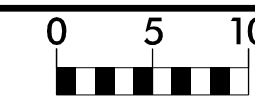
SHEET NO.
X-1



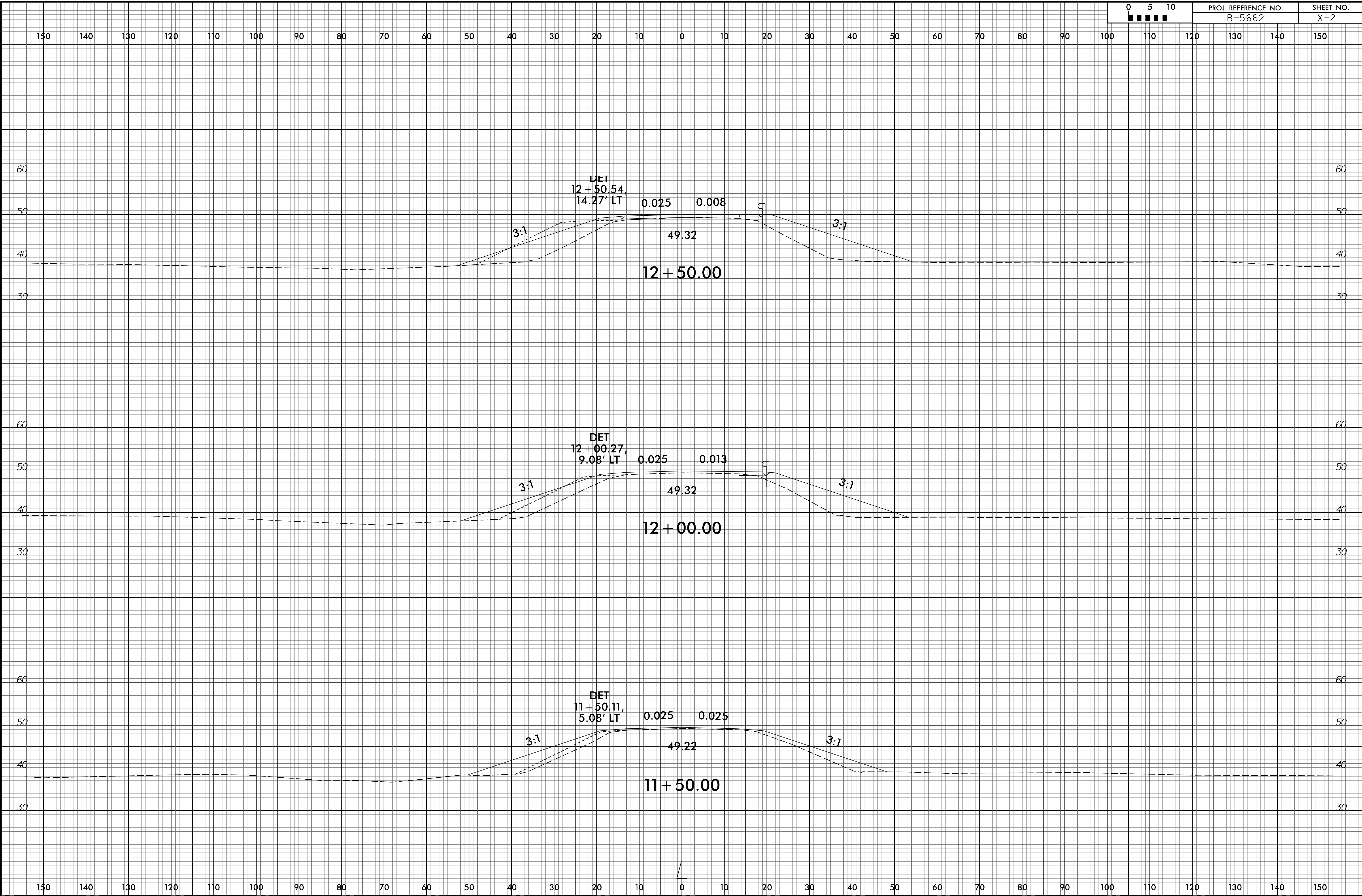
BEGIN PROJECT -L- STA. 10+00.00

I:\3-APR-2020\12446
 \1\2018\11\18\10145_21 B-5662\Roadway\CorridorModeling\B-5662_Rdu_xpl.dgn
 3:38:58 PM 6/23/16

6/23/16

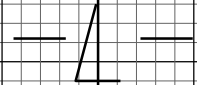
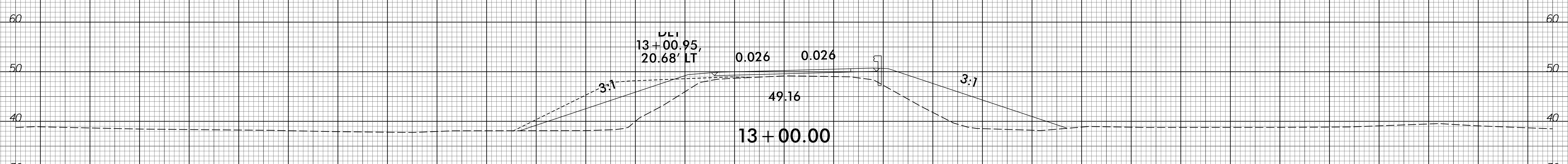
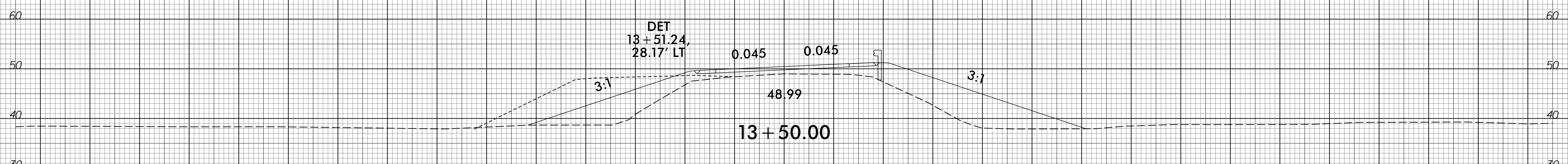
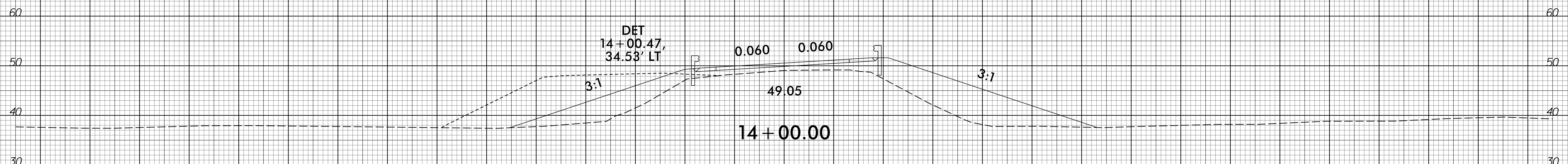


PROJ. REFERENCE NO.	SHEET NO.
B-5662	X-2



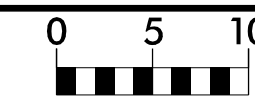
I:\APR-2020\12446
 6/23/16 10:50:14 AM
 330015114521 B-5662\Roadway\CorridorModeling\B-5662_Rdu_xpl.dgn

150 140 130 120 110 100 90 80 70 60 50 40 30 20 10 0 10 20 30 40 50 60 70 80 90 100 110 120 130 140 150



150 140 130 120 110 100 90 80 70 60 50 40 30 20 10 0 10 20 30 40 50 60 70 80 90 100 110 120 130 140 150

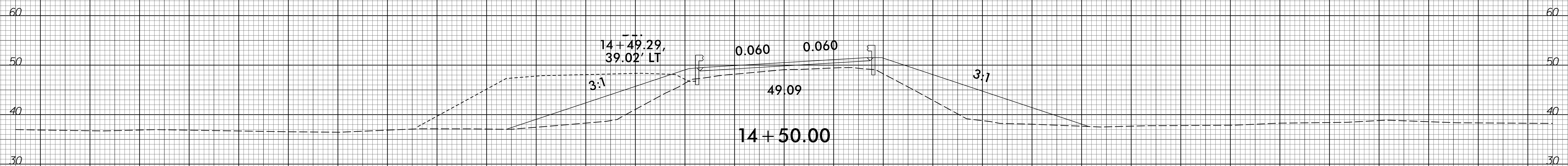
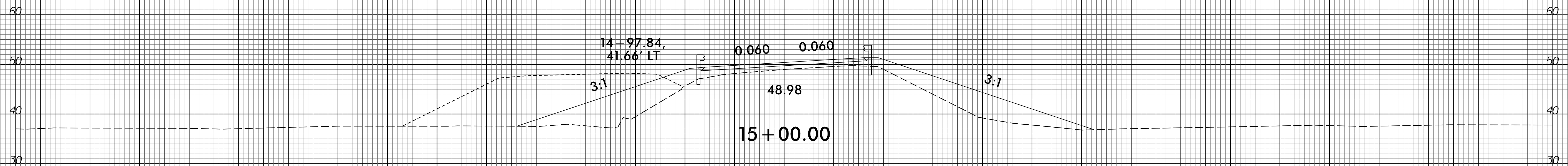
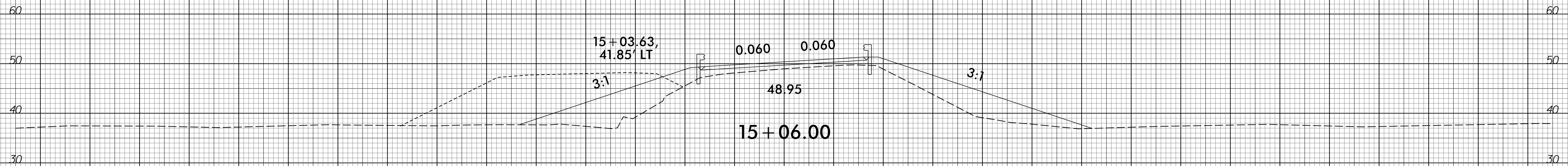
6/23/16



PROJ. REFERENCE NO.	SHEET NO.
B-5662	X-4

150 140 130 120 110 100 90 80 70 60 50 40 30 20 10 0 10 20 30 40 50 60 70 80 90 100 110 120 130 140 150

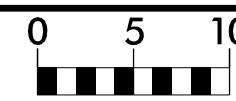
BEGIN BRIDGE -L- STA. 15+06.00



150 140 130 120 110 100 90 80 70 60 50 40 30 20 10 0 10 20 30 40 50 60 70 80 90 100 110 120 130 140 150

I:\3-APR-2020\12446
 14521 B-5662\Roadway\CorridorModeling\B-5662_Rdu_xpl.dgn
 6/23/16 10:53:58

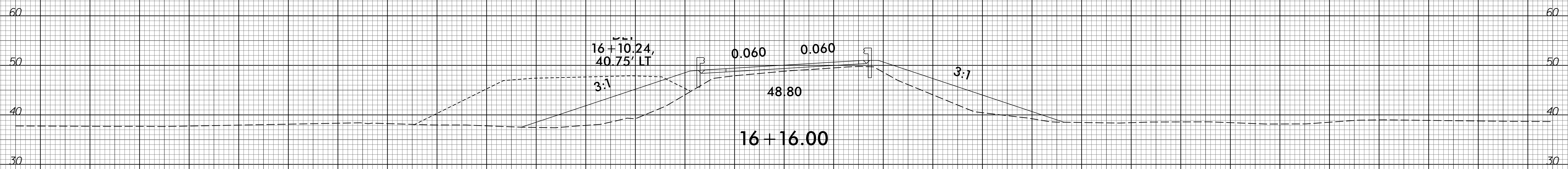
6/23/16



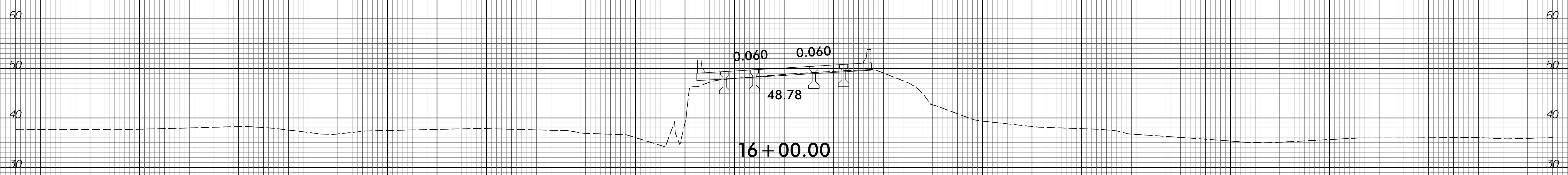
PROJ. REFERENCE NO.
B-5662

SHEET NO.
X-5

150 140 130 120 110 100 90 80 70 60 50 40 30 20 10 0 10 20 30 40 50 60 70 80 90 100 110 120 130 140 150

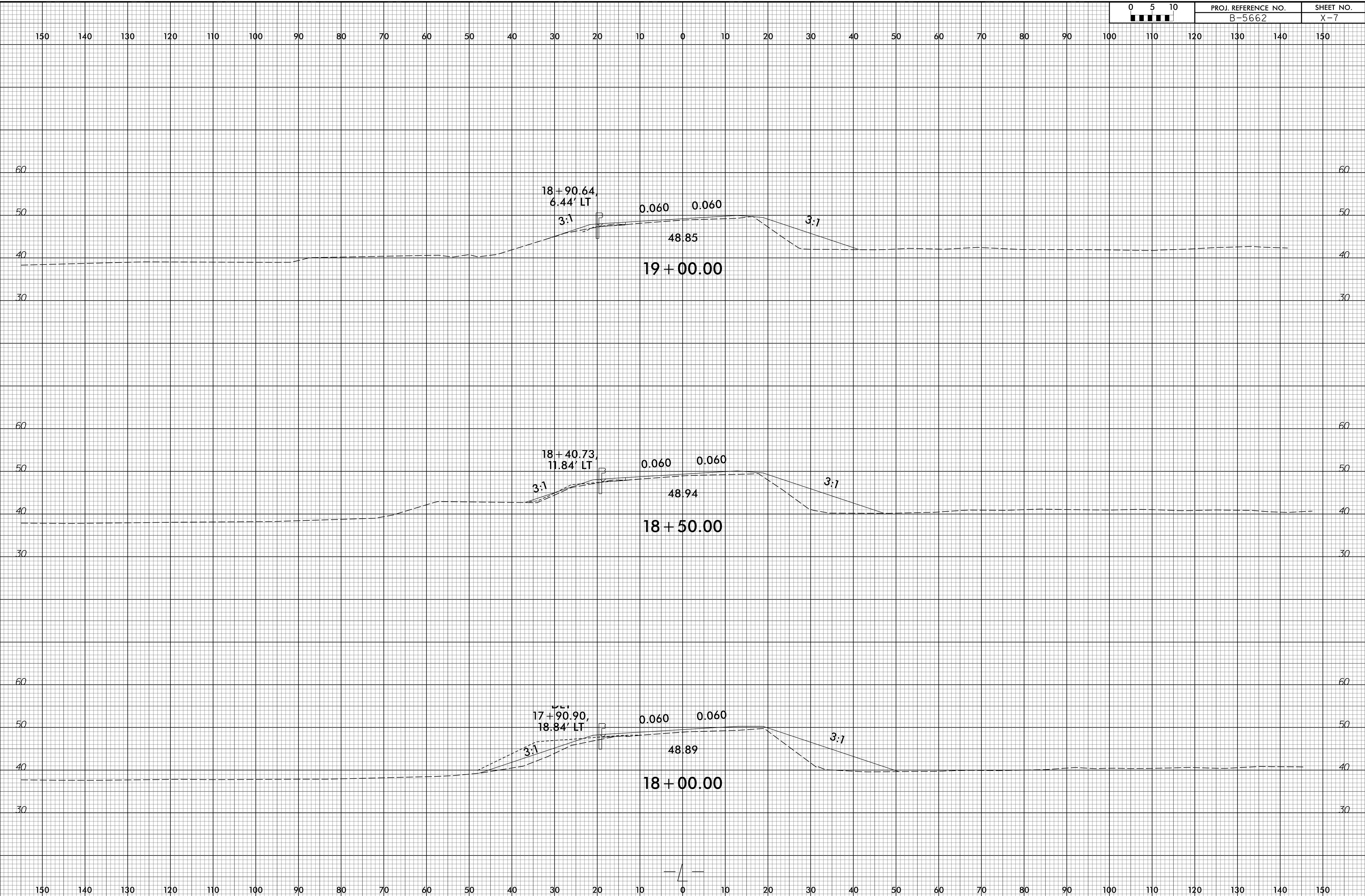


END BRIDGE = L = STA. 16+16.00



150 140 130 120 110 100 90 80 70 60 50 40 30 20 10 0 10 20 30 40 50 60 70 80 90 100 110 120 130 140 150

I:\3-APR-2020_1246
16+00.00
16+16.00
15+50.00
16+00.00
16+16.00
16+31.66
16+50.00
16+66.66
16+83.33
17+00.00
17+16.66
17+33.33
17+50.00
17+66.66
17+83.33
18+00.00
18+16.66
18+33.33
18+50.00
18+66.66
18+83.33
19+00.00
19+16.66
19+33.33
19+50.00
19+66.66
19+83.33
20+00.00
20+16.66
20+33.33
20+50.00
20+66.66
20+83.33
21+00.00
21+16.66
21+33.33
21+50.00
21+66.66
21+83.33
22+00.00
22+16.66
22+33.33
22+50.00
22+66.66
22+83.33
23+00.00
23+16.66
23+33.33
23+50.00
23+66.66
23+83.33
24+00.00
24+16.66
24+33.33
24+50.00
24+66.66
24+83.33
25+00.00
25+16.66
25+33.33
25+50.00
25+66.66
25+83.33
26+00.00
26+16.66
26+33.33
26+50.00
26+66.66
26+83.33
27+00.00
27+16.66
27+33.33
27+50.00
27+66.66
27+83.33
28+00.00
28+16.66
28+33.33
28+50.00
28+66.66
28+83.33
29+00.00
29+16.66
29+33.33
29+50.00
29+66.66
29+83.33
30+00.00
30+16.66
30+33.33
30+50.00
30+66.66
30+83.33
31+00.00
31+16.66
31+33.33
31+50.00
31+66.66
31+83.33
32+00.00
32+16.66
32+33.33
32+50.00
32+66.66
32+83.33
33+00.00
33+16.66
33+33.33
33+50.00
33+66.66
33+83.33
34+00.00
34+16.66
34+33.33
34+50.00
34+66.66
34+83.33
35+00.00
35+16.66
35+33.33
35+50.00
35+66.66
35+83.33
36+00.00
36+16.66
36+33.33
36+50.00
36+66.66
36+83.33
37+00.00
37+16.66
37+33.33
37+50.00
37+66.66
37+83.33
38+00.00
38+16.66
38+33.33
38+50.00
38+66.66
38+83.33
39+00.00
39+16.66
39+33.33
39+50.00
39+66.66
39+83.33
40+00.00
40+16.66
40+33.33
40+50.00
40+66.66
40+83.33
41+00.00
41+16.66
41+33.33
41+50.00
41+66.66
41+83.33
42+00.00
42+16.66
42+33.33
42+50.00
42+66.66
42+83.33
43+00.00
43+16.66
43+33.33
43+50.00
43+66.66
43+83.33
44+00.00
44+16.66
44+33.33
44+50.00
44+66.66
44+83.33
45+00.00
45+16.66
45+33.33
45+50.00
45+66.66
45+83.33
46+00.00
46+16.66
46+33.33
46+50.00
46+66.66
46+83.33
47+00.00
47+16.66
47+33.33
47+50.00
47+66.66
47+83.33
48+00.00
48+16.66
48+33.33
48+50.00
48+66.66
48+83.33
49+00.00
49+16.66
49+33.33
49+50.00
49+66.66
49+83.33
50+00.00
50+16.66
50+33.33
50+50.00
50+66.66
50+83.33
51+00.00
51+16.66
51+33.33
51+50.00
51+66.66
51+83.33
52+00.00
52+16.66
52+33.33
52+50.00
52+66.66
52+83.33
53+00.00
53+16.66
53+33.33
53+50.00
53+66.66
53+83.33
54+00.00
54+16.66
54+33.33
54+50.00
54+66.66
54+83.33
55+00.00
55+16.66
55+33.33
55+50.00
55+66.66
55+83.33
56+00.00
56+16.66
56+33.33
56+50.00
56+66.66
56+83.33
57+00.00
57+16.66
57+33.33
57+50.00
57+66.66
57+83.33
58+00.00
58+16.66
58+33.33
58+50.00
58+66.66
58+83.33
59+00.00
59+16.66
59+33.33
59+50.00
59+66.66
59+83.33
60+00.00
60+16.66
60+33.33
60+50.00
60+66.66
60+83.33
61+00.00
61+16.66
61+33.33
61+50.00
61+66.66
61+83.33
62+00.00
62+16.66
62+33.33
62+50.00
62+66.66
62+83.33
63+00.00
63+16.66
63+33.33
63+50.00
63+66.66
63+83.33
64+00.00
64+16.66
64+33.33
64+50.00
64+66.66
64+83.33
65+00.00
65+16.66
65+33.33
65+50.00
65+66.66
65+83.33
66+00.00
66+16.66
66+33.33
66+50.00
66+66.66
66+83.33
67+00.00
67+16.66
67+33.33
67+50.00
67+66.66
67+83.33
68+00.00
68+16.66
68+33.33
68+50.00
68+66.66
68+83.33
69+00.00
69+16.66
69+33.33
69+50.00
69+66.66
69+83.33
70+00.00
70+16.66
70+33.33
70+50.00
70+66.66
70+83.33
71+00.00
71+16.66
71+33.33
71+50.00
71+66.66
71+83.33
72+00.00
72+16.66
72+33.33
72+50.00
72+66.66
72+83.33
73+00.00
73+16.66
73+33.33
73+50.00
73+66.66
73+83.33
74+00.00
74+16.66
74+33.33
74+50.00
74+66.66
74+83.33
75+00.00
75+16.66
75+33.33
75+50.00
75+66.66
75+83.33
76+00.00
76+16.66
76+33.33
76+50.00
76+66.66
76+83.33
77+00.00
77+16.66
77+33.33
77+50.00
77+66.66
77+83.33
78+00.00
78+16.66
78+33.33
78+50.00
78+66.66
78+83.33
79+00.00
79+16.66
79+33.33
79+50.00
79+66.66
79+83.33
80+00.00
80+16.66
80+33.33
80+50.00
80+66.66
80+83.33
81+00.00
81+16.66
81+33.33
81+50.00
81+66.66
81+83.33
82+00.00
82+16.66
82+33.33
82+50.00
82+66.66
82+83.33
83+00.00
83+16.66
83+33.33
83+50.00
83+66.66
83+83.33
84+00.00
84+16.66
84+33.33
84+50.00
84+66.66
84+83.33
85+00.00
85+16.66
85+33.33
85+50.00
85+66.66
85+83.33
86+00.00
86+16.66
86+33.33
86+50.00
86+66.66
86+83.33
87+00.00
87+16.66
87+33.33
87+50.00
87+66.66
87+83.33
88+00.00
88+16.66
88+33.33
88+50.00
88+66.66
88+83.33
89+00.00
89+16.66
89+33.33
89+50.00
89+66.66
89+83.33
90+00.00
90+16.66
90+33.33
90+50.00
90+66.66
90+83.33
91+00.00
91+16.66
91+33.33
91+50.00
91+66.66
91+83.33
92+00.00
92+16.66
92+33.33
92+50.00
92+66.66
92+83.33
93+00.00
93+16.66
93+33.33
93+50.00
93+66.66
93+83.33
94+00.00
94+16.66
94+33.33
94+50.00
94+66.66
94+83.33
95+00.00
95+16.66
95+33.33
95+50.00
95+66.66
95+83.33
96+00.00
96+16.66
96+33.33
96+50.00
96+66.66
96+83.33
97+00.00
97+16.66
97+33.33
97+50.00
97+66.66
97+83.33
98+00.00
98+16.66
98+33.33
98+50.00
98+66.66
98+83.33
99+00.00
99+16.66
99+33.33
99+50.00
99+66.66
99+83.33
100+00.00
100+16.66
100+33.33
100+50.00
100+66.66
100+83.33
101+00.00
101+16.66
101+33.33
101+50.00
101+66.66
101+83.33
102+00.00
102+16.66
102+33.33
102+50.00
102+66.66
102+83.33
103+00.00
103+16.66
103+33.33
103+50.00
103+66.66
103+83.33
104+00.00
104+16.66
104+33.33
104+50.00
104+66.66
104+83.33
105+00.00
105+16.66
105+33.33
105+50.00
105+66.66
105+83.33
106+00.00
106+16.66
106+33.33
106+50.00
106+66.66
106+83.33
107+00.00
107+16.66
107+33.33
107+50.00
107+66.66
107+83.33
108+00.00
108+16.66
108+33.33
108+50.00
108+66.66
108+83.33
109+00.00
109+16.66
109+33.33
109+50.00
109+66.66
109+83.33
110+00.00
110+16.66
110+33.33
110+50.00
110+66.66
110+83.33
111+00.00
111+16.66
111+33.33
111+50.00
111+66.66
111+83.33
112+00.00
112+16.66
112+33.33
112+50.00
112+66.66
112+83.33
113+00.00
113+16.66
113+33.33
113+50.00
113+66.66
113+83.33
114+00.00
114+16.66
114+33.33
114+50.00
114+66.66
114+83.33
115+00.00
115+16.66
115+33.33
115+50.00
115+66.66
115+83.33



150 140 130 120 110 100 90 80 70 60 50 40 30 20 10 0 10 20 30 40 50 60 70 80 90 100 110 120 130 140 150

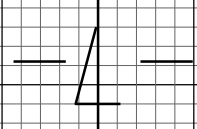
END PROJECT -L- STA. 20+40.14

0.074 0.047
49.03
20+40.14

0.076 0.044
48.99
20+00.00

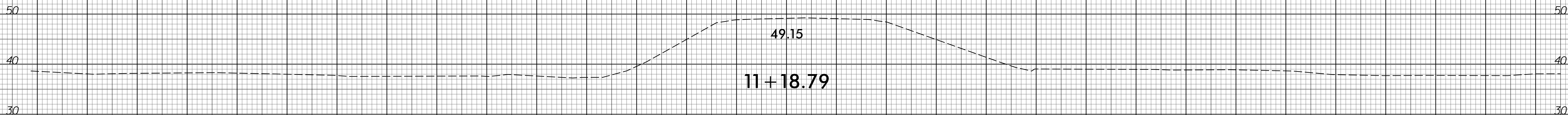
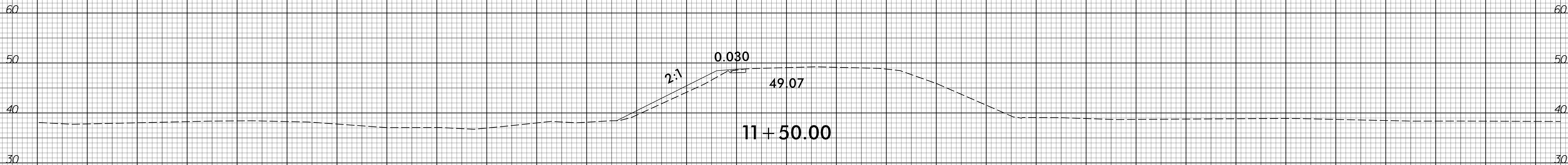
2.9:1 0.069 0.051
48.91
19+50.00

3:1

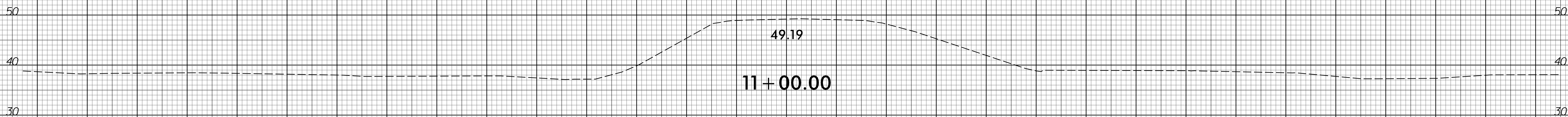


150 140 130 120 110 100 90 80 70 60 50 40 30 20 10 0 10 20 30 40 50 60 70 80 90 100 110 120 130 140 150

150 140 130 120 110 100 90 80 70 60 50 40 30 20 10 0 10 20 30 40 50 60 70 80 90 100 110 120 130 140 150

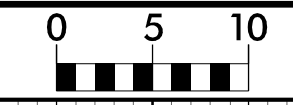


BEGIN DETOUR -DET- STA. 11+18.79



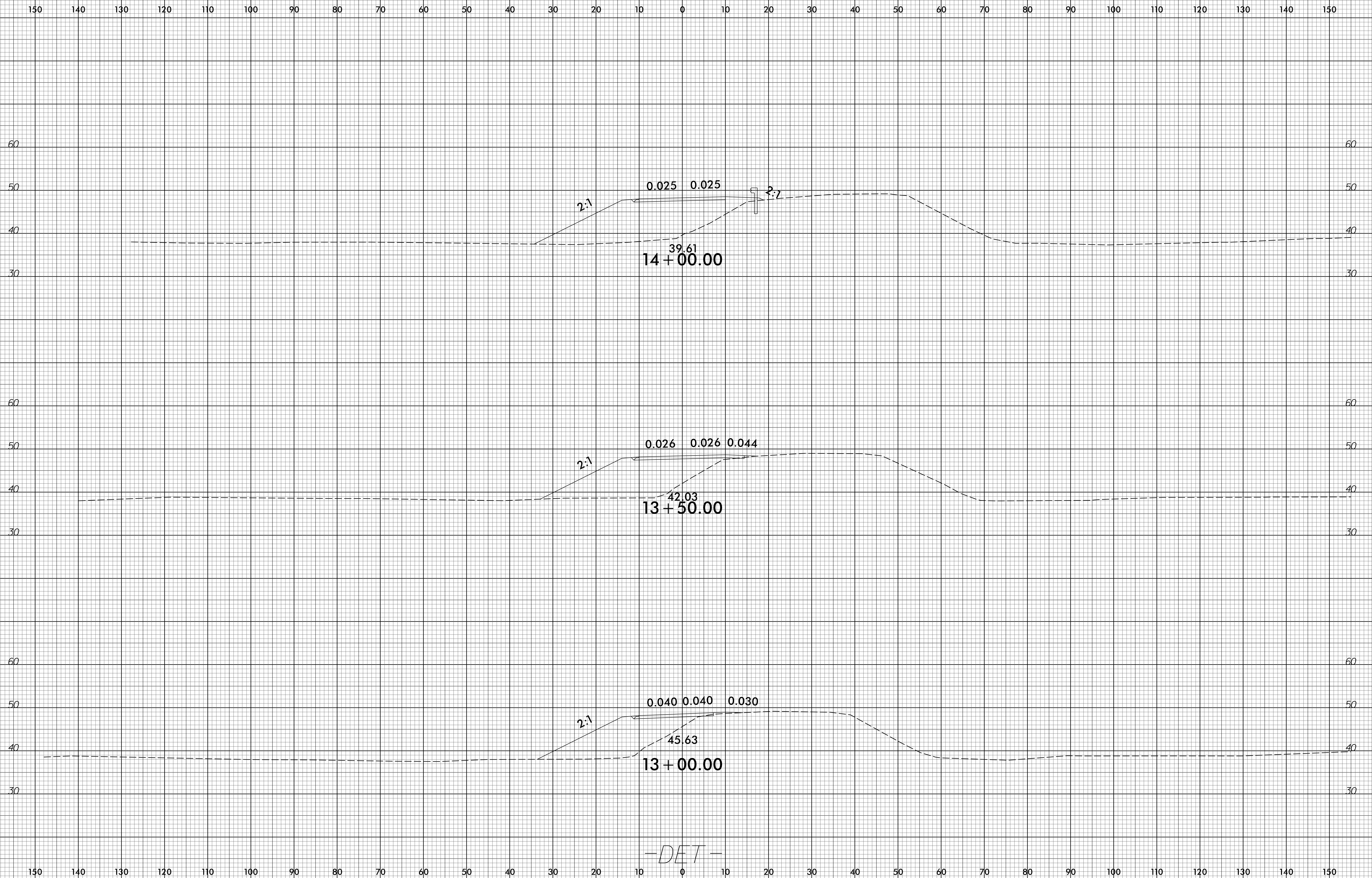
-DET-

6/23/16



PROJ. REFERENCE NO.
B-5662

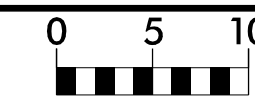
SHEET NO.
X-11



-DET-

I:\3-APR-2020\12446
 \2018\12446\B-5662\Roadway\CorridorModeling\B-5662_Rdy_det_xpl.dgn
 9/8/2018 10:59:58 AM

6/23/16

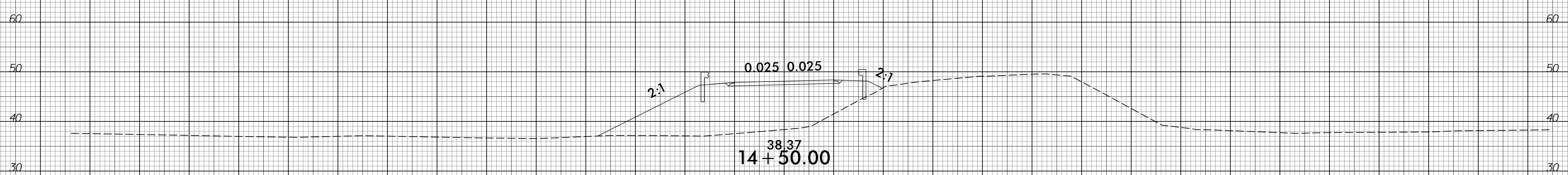
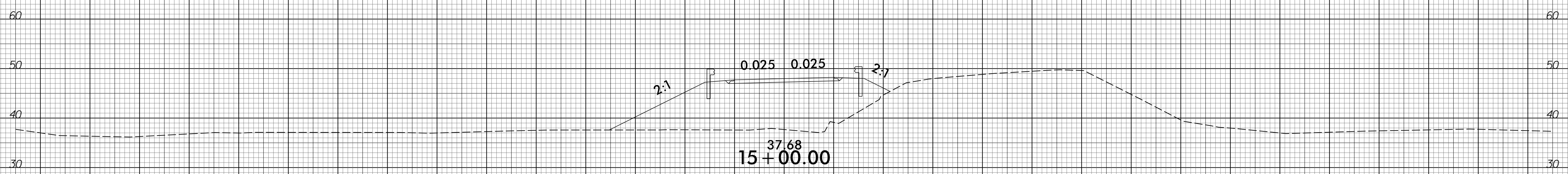
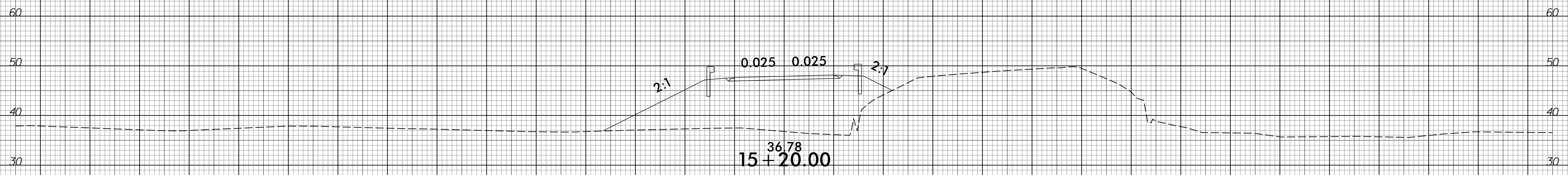


PROJ. REFERENCE NO.
B-5662

SHEET NO.
X-12

150 140 130 120 110 100 90 80 70 60 50 40 30 20 10 0 10 20 30 40 50 60 70 80 90 100 110 120 130 140 150

BEGIN BRIDGE -DET- 15+20.00

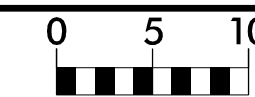


-DET-

150 140 130 120 110 100 90 80 70 60 50 40 30 20 10 0 10 20 30 40 50 60 70 80 90 100 110 120 130 140 150

I:\3-APR-2020_12:46
S:\2015\150145\21 B-5662\Roadway\CorridorModeling\B-5662_Rdy_det_xpl.dgn

6/23/16

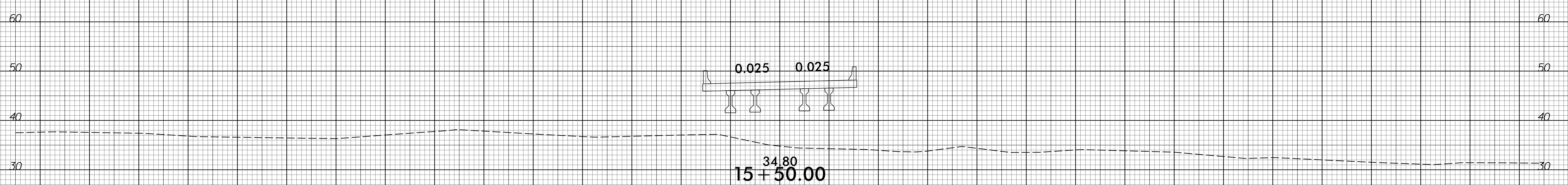
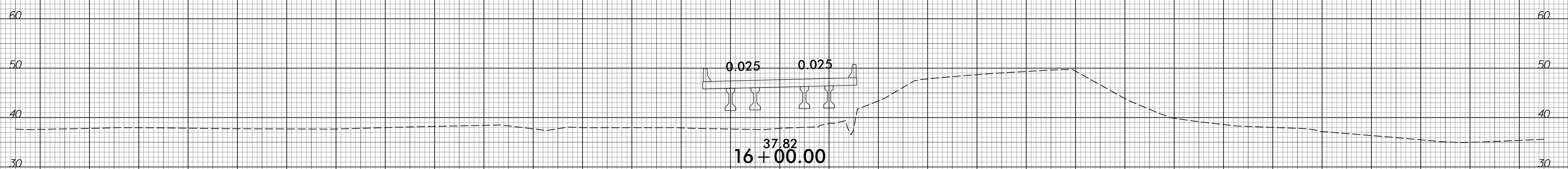
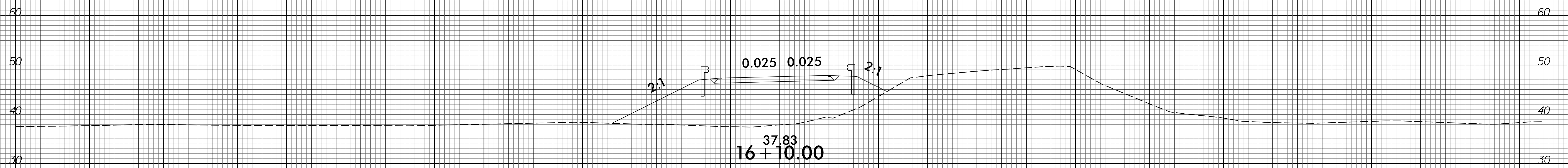


PROJ. REFERENCE NO.
B-5662

SHEET NO.
X-13

150 140 130 120 110 100 90 80 70 60 50 40 30 20 10 0 10 20 30 40 50 60 70 80 90 100 110 120 130 140 150

END BRIDGE -DET- STA. 16+10.00

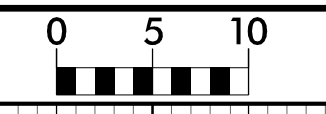


-DET-

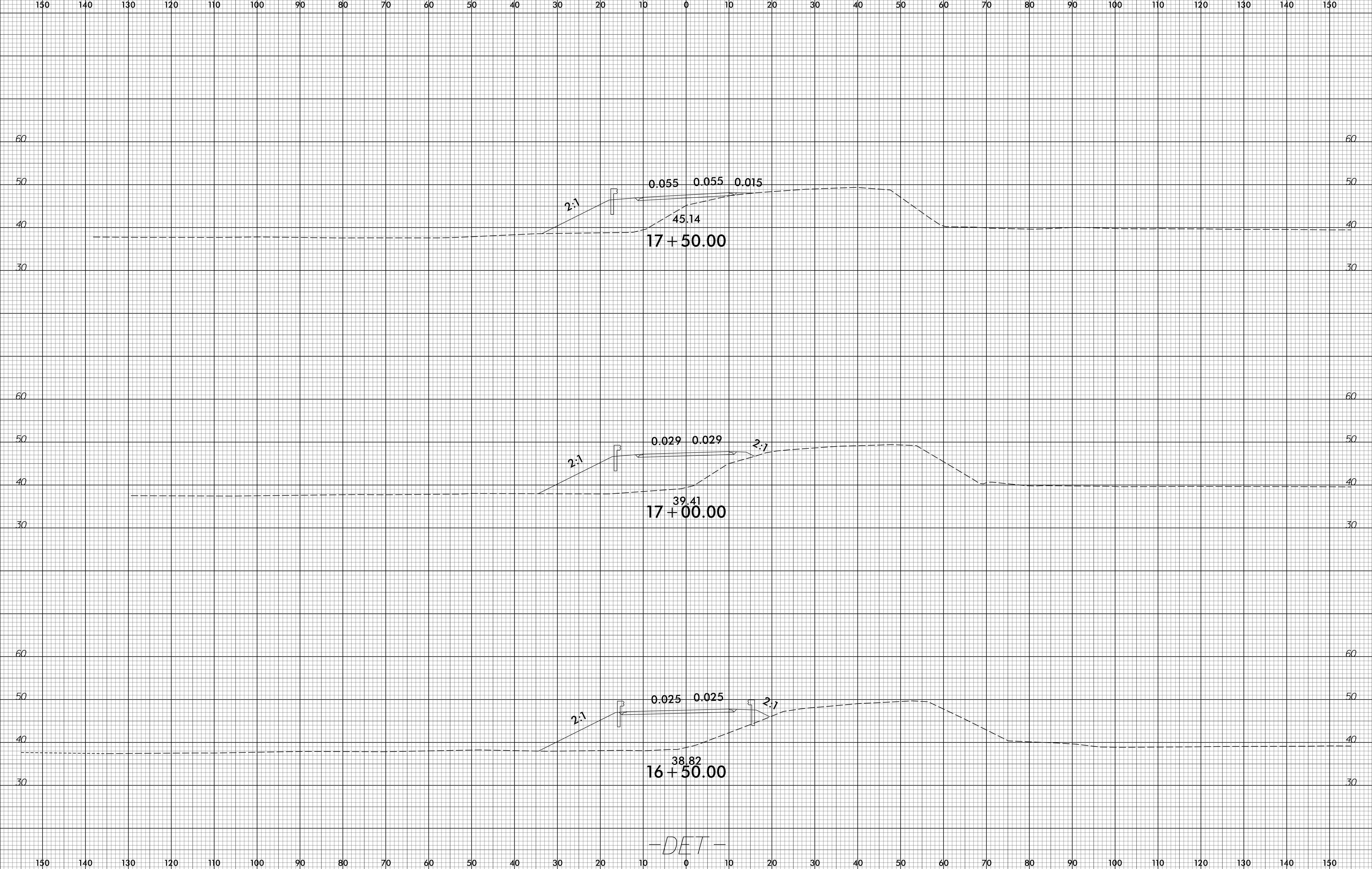
150 140 130 120 110 100 90 80 70 60 50 40 30 20 10 0 10 20 30 40 50 60 70 80 90 100 110 120 130 140 150

I:\3-APR-2020_12:46
 \s\2018\180145\21 B-5662\Roadway\CorridorModeling\B-5662_Rdy_det_xpl.dgn
 3/20/2018 12:46:38

6/23/16



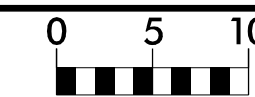
PROJ. REFERENCE NO.	SHEET NO.
B-5662	X-14



-DET-

I:\APR-2020\2446
6/23/16\170145_21 B-5662\Roadway\CorridorModeling\B-5662_Rdy_det_xpl.dgn

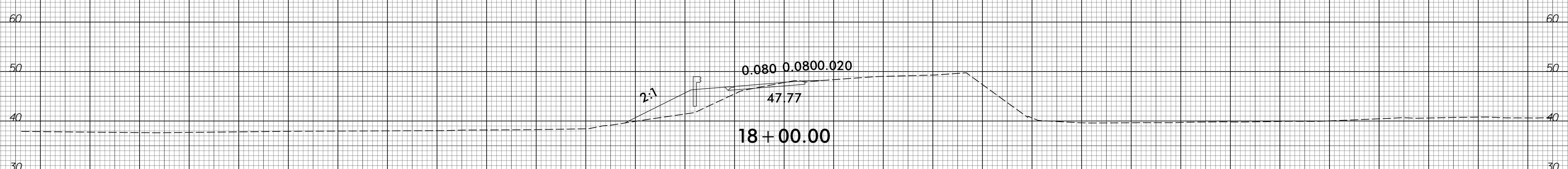
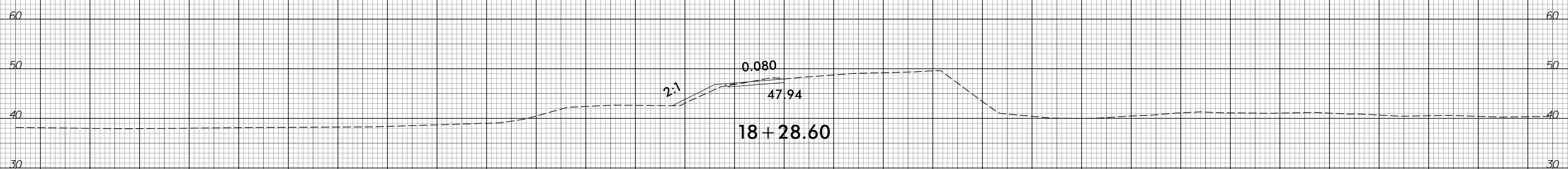
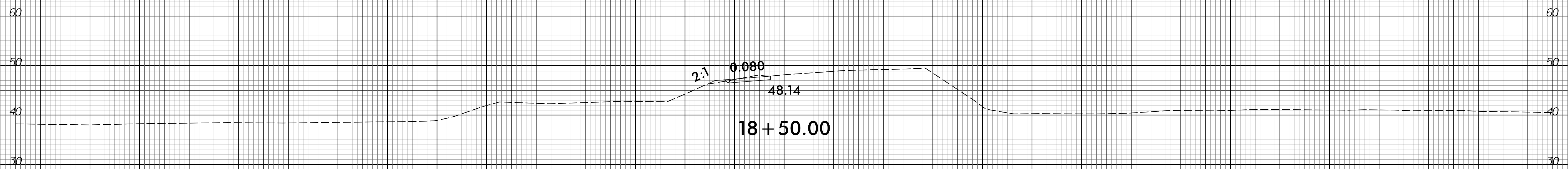
6/23/16



PROJ. REFERENCE NO.
B-5662

SHEET NO.
X-15

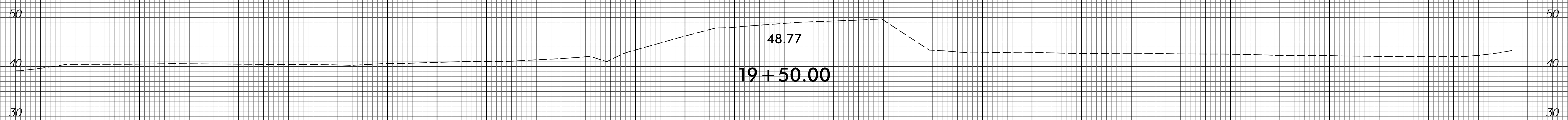
150 140 130 120 110 100 90 80 70 60 50 40 30 20 10 0 10 20 30 40 50 60 70 80 90 100 110 120 130 140 150



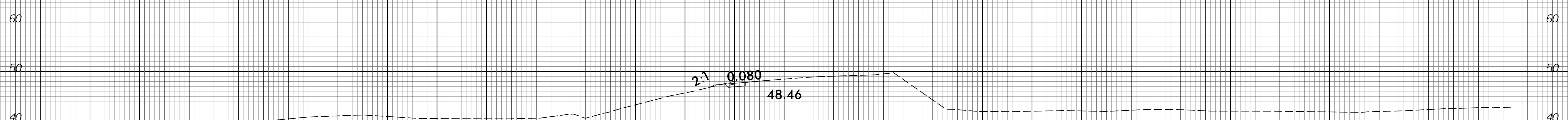
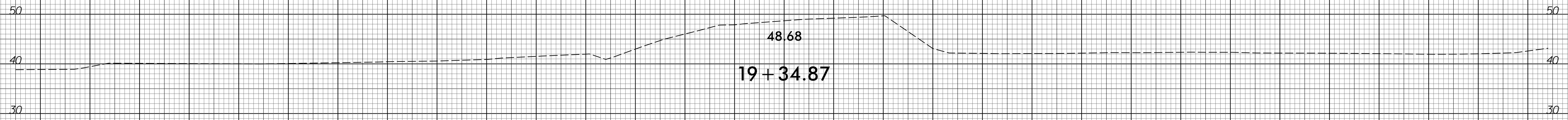
-DET-

I:\3-APR-2020_12:46
 \1\2018\180145\21 B-5662\Roadway\CorridorModeling\B-5662_Rdy_det_xpl.dgn
 3/23/2016 10:53:38

150 140 130 120 110 100 90 80 70 60 50 40 30 20 10 0 10 20 30 40 50 60 70 80 90 100 110 120 130 140 150



END DETOUR -DET- STA. 19+34.87



-DET-

150 140 130 120 110 100 90 80 70 60 50 40 30 20 10 0 10 20 30 40 50 60 70 80 90 100 110 120 130 140 150