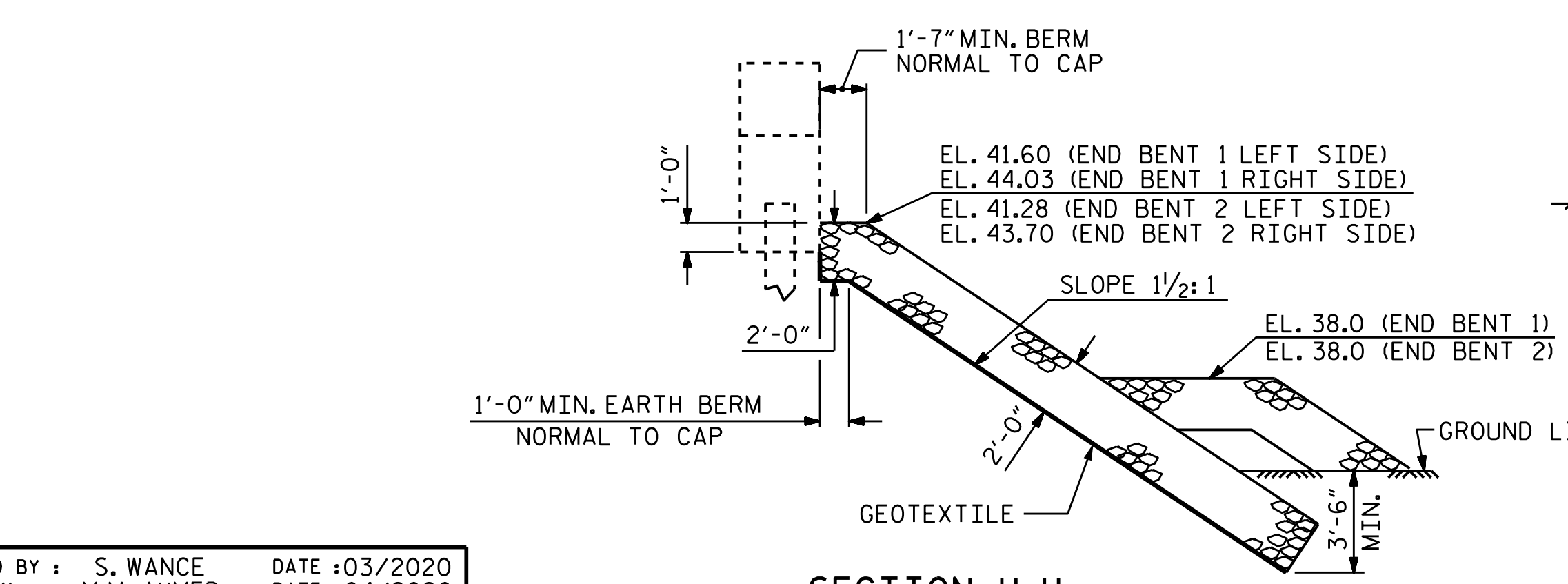
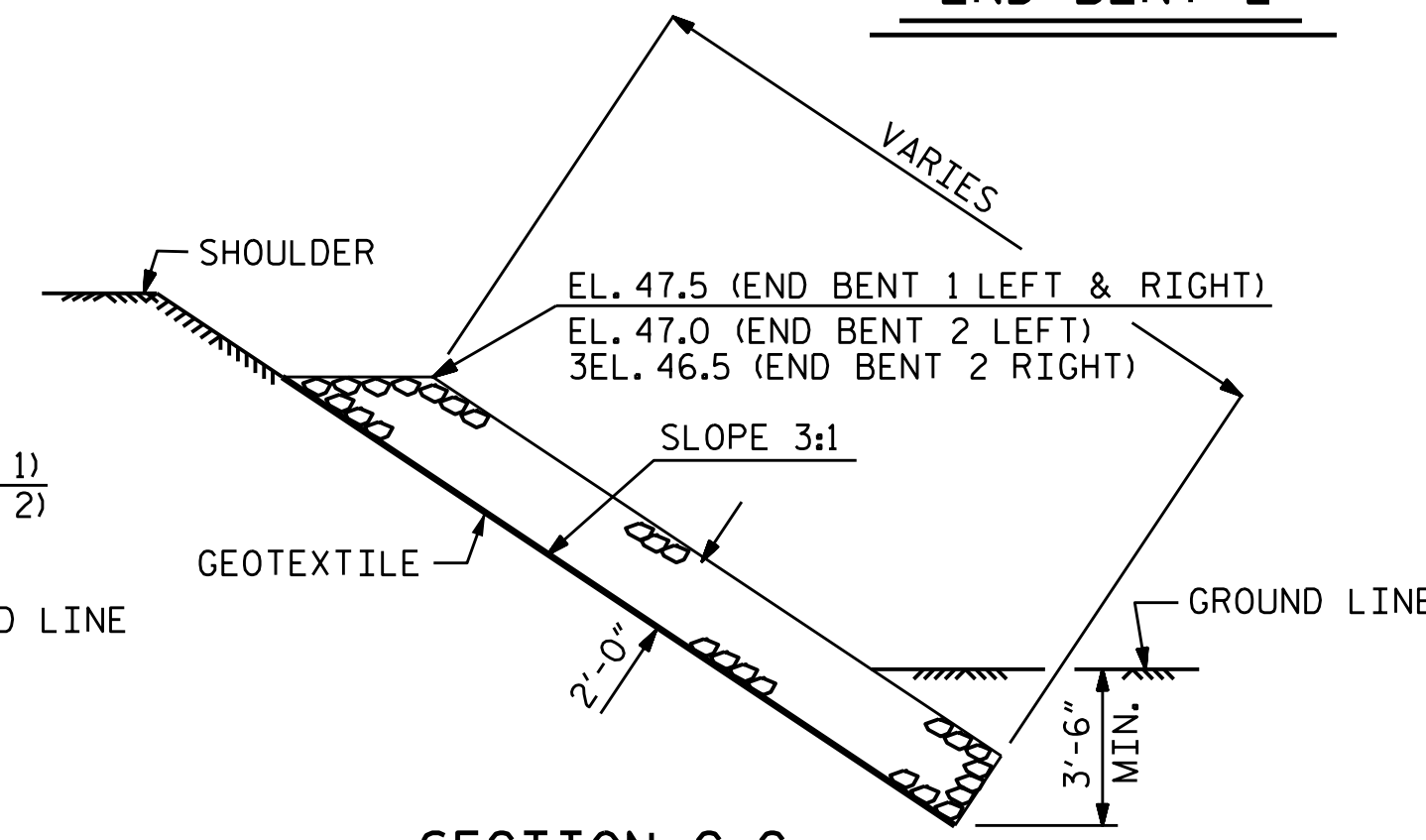


PLAN
CURVE NOT SHOWN FOR SIMPLICITY



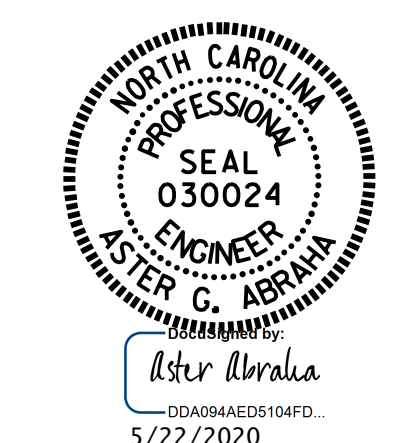
SECTION H-H



SECTION C-C

ESTIMATED QUANTITIES		
BRIDGE @ STA. 15+61.00 -L-	RIP RAP CLASS II (2'-0" THICK)	GEOTEXTILE FOR DRAINAGE
	TONS	SQUARE YARDS
END BENT 1	415	462
END BENT 2	325	361

PROJECT NO. B-5662
HALIFAX COUNTY
 STATION: 15+61.00 -L-



STATE OF NORTH CAROLINA
 DEPARTMENT OF TRANSPORTATION
 RALEIGH

RIP RAP DETAILS

ASSEMBLED BY : S. WANCE	DATE : 03/2020
CHECKED BY : M.M. AHMED	DATE : 04/2020
DRAWN BY : REK 1/84	REV. 10/17/11 MAA/GM
CHECKED BY : RDU 1/84	REV. 12/21/11 MAA/GM
	REV. 12/17 MAA/THC

NO.	BY:	DATE:	REVISIONS			SHEET NO.
			NO.	BY:	DATE:	
1			3			S-28
2			4			TOTAL SHEETS 30