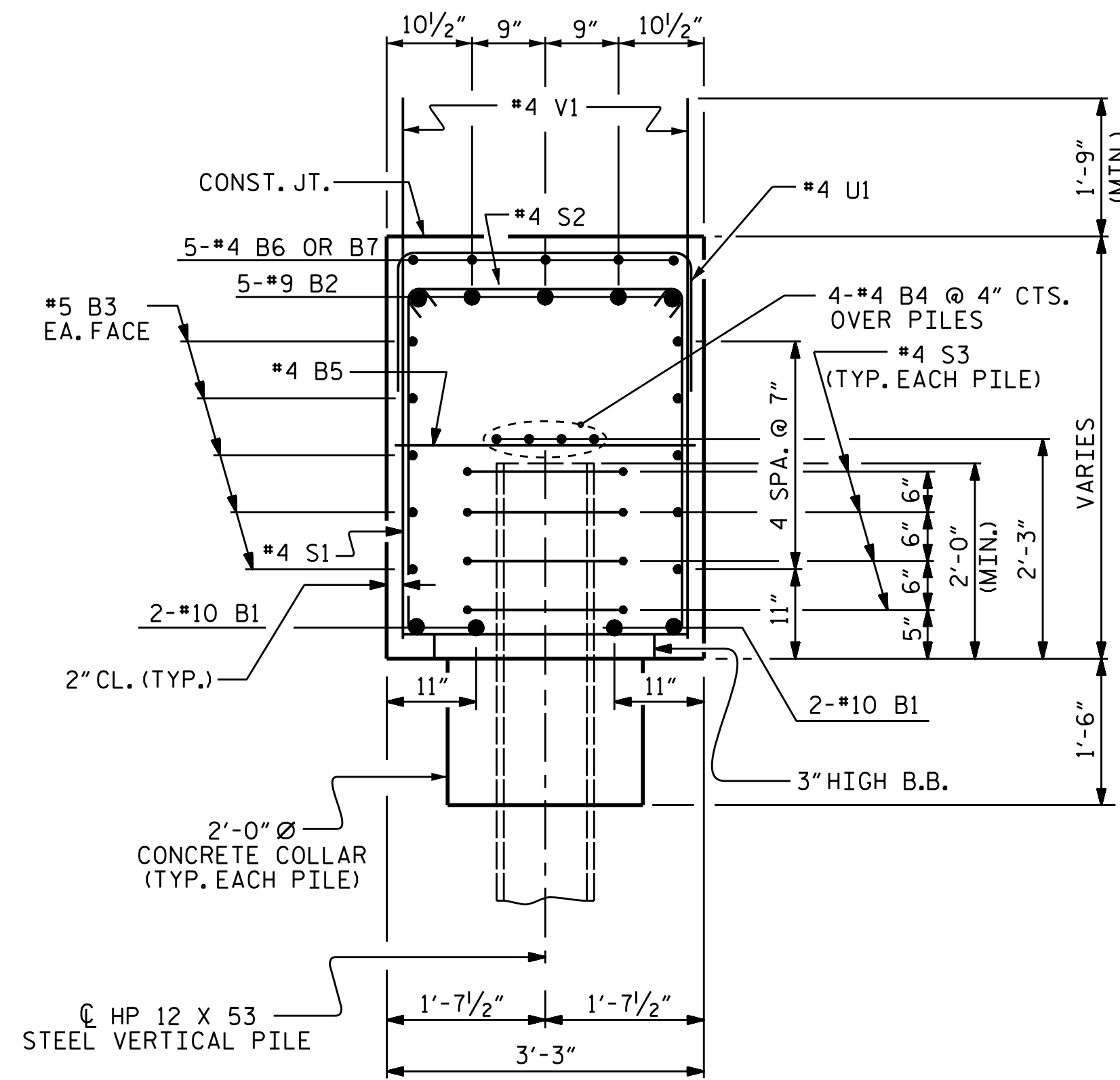
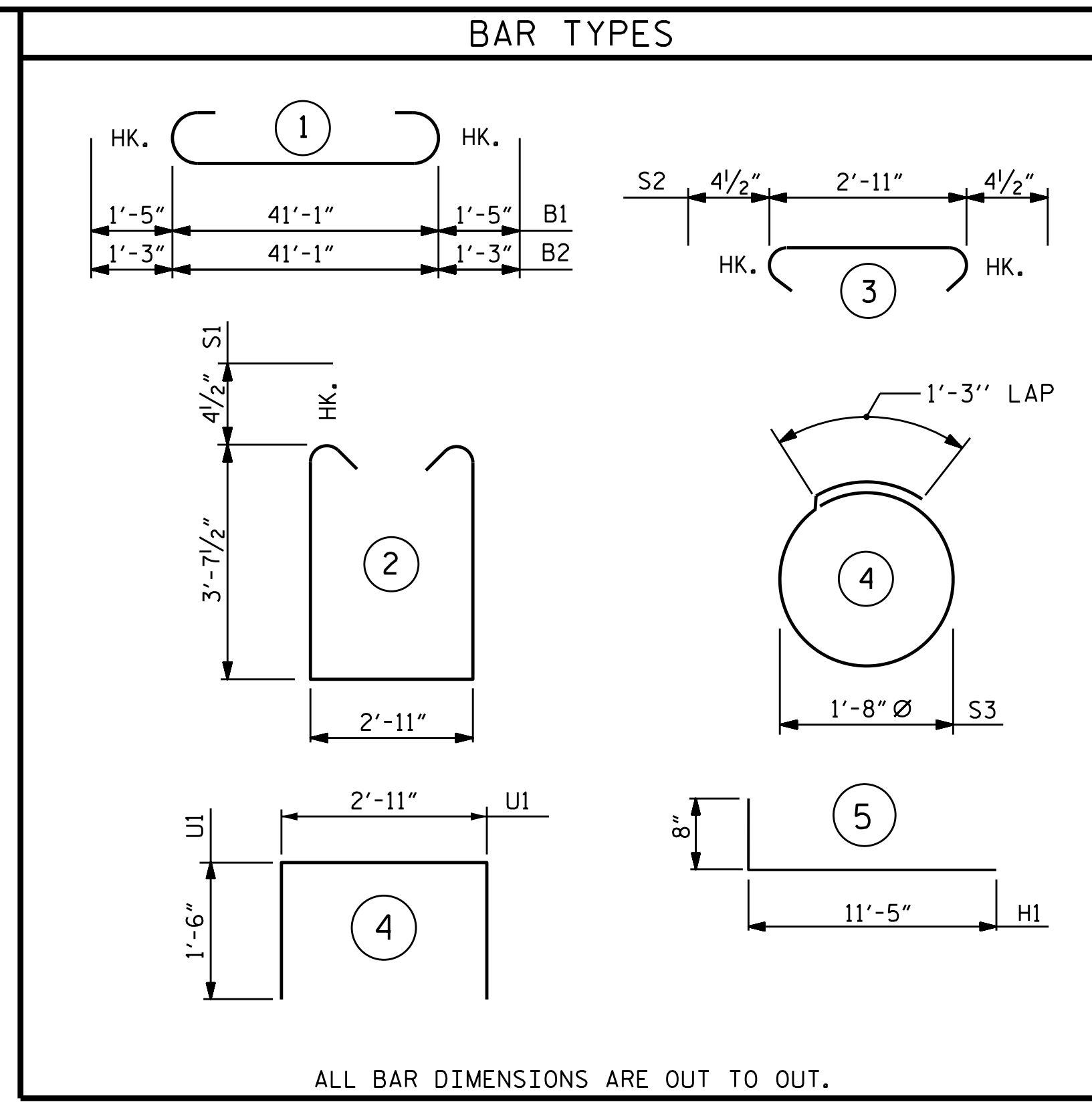


SECTION A-A

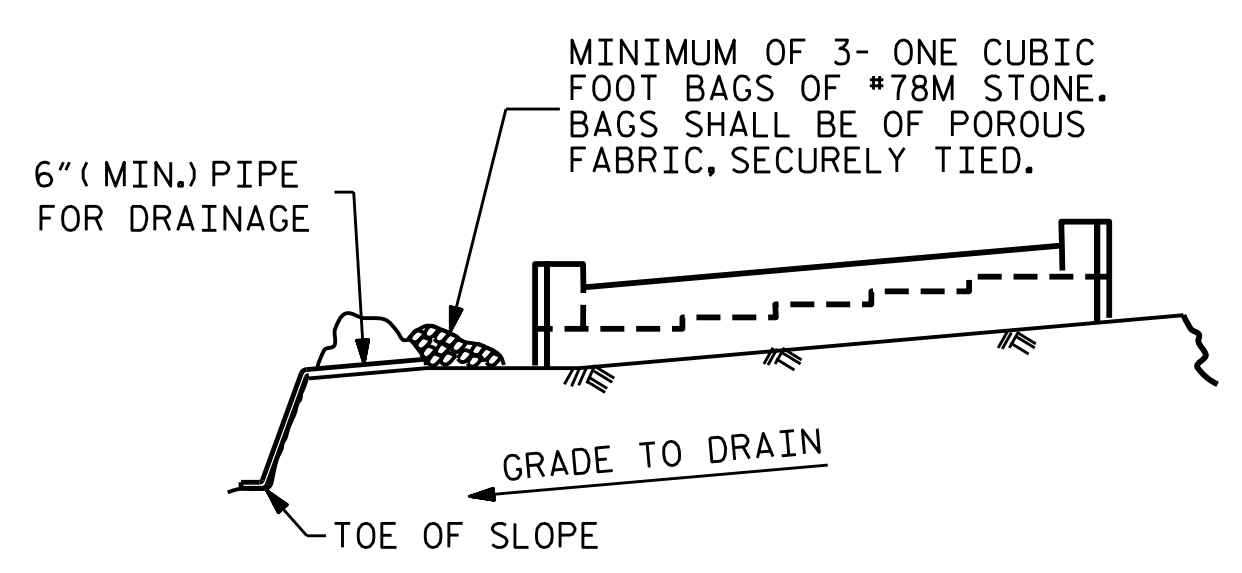


SECTION B-B



ALL BAR DIMENSIONS ARE OUT TO OUT.

BILL OF MATERIAL					
INTEGRAL END BENT #2					
BAR	NO.	SIZE	TYPE	LENGTH	WEIGHT
B1	4	#10	1	43'-11"	756
B2	5	#9	1	43'-7"	741
B3	10	#5	STR	41'-3"	430
B4	8	#4	STR	21'-10"	117
B5	11	#4	STR	2'-11"	21
B6	5	#4	STR	7'-10"	26
B7	15	#4	STR	4'-10"	48
H1	50	#5	5	12'-1"	630
H2	24	#5	STR	3'-9"	94
S1	50	#4	2	10'-11"	365
S2	50	#4	3	3'-8"	122
S3	20	#4	4	6'-6"	87
U1	18	#4	STR	5'-11"	71
V1	68	#4	STR	6'-2"	280
V2	64	#4	STR	8'-10"	378
V3	64	#4	STR	8'-4"	356
REINFORCING STEEL					= 4522 LBS
CLASS A CONCRETE					
POUR #1 (CAP, CONCRETE COLLARS & LOWER PART OF WINGS) 26.2 C.Y.					
POUR #2 (UPPER PART OF WINGS) 4.8 C.Y.					
TOTAL					31.0 C.Y.
HP 12 x 53 STEEL PILES No. 5					325 LIN FT.
PILE REDRIVES					3 EA.

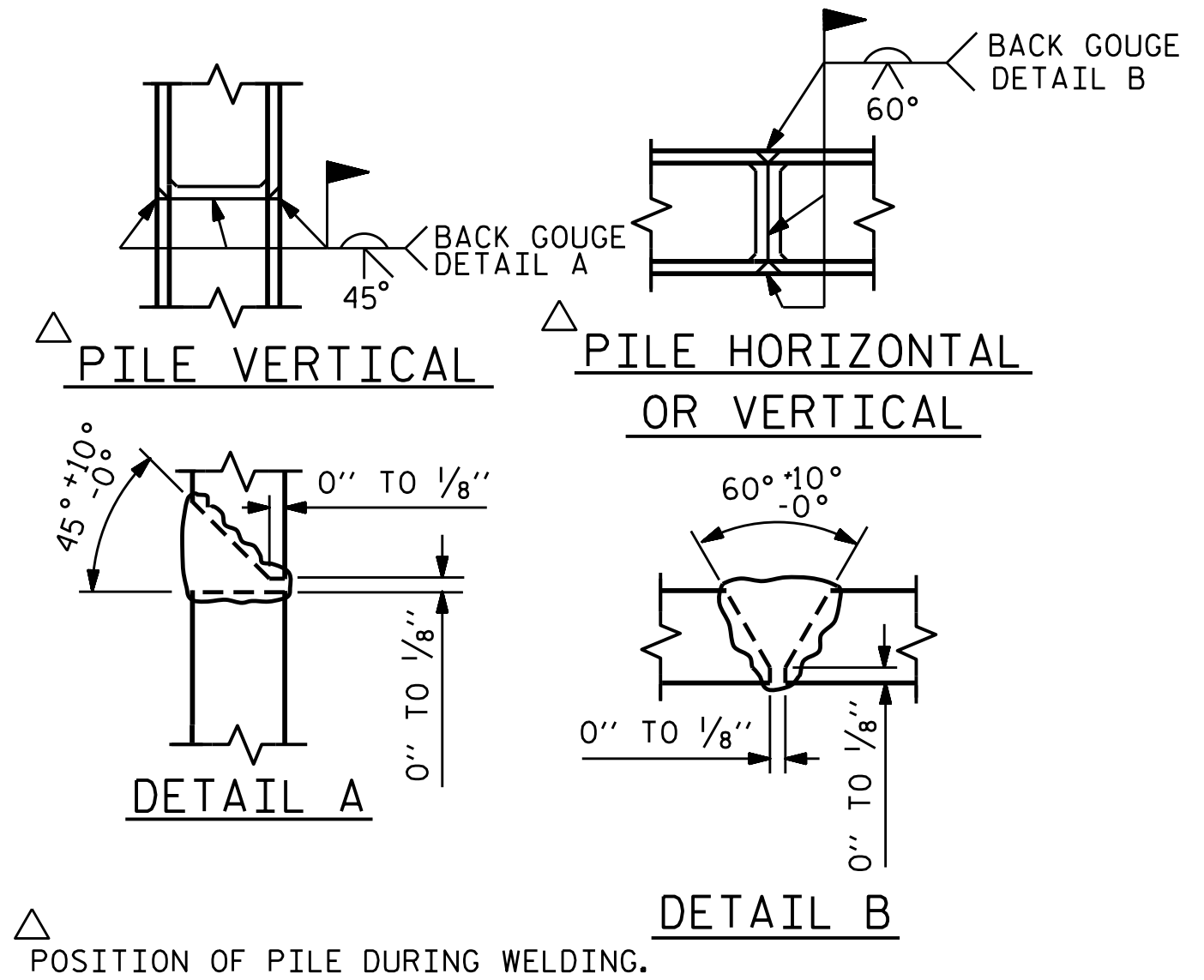


BAGGED STONE AND PIPE SHALL BE PLACED IMMEDIATELY AFTER COMPLETION OF END BENT EXCAVATION. PIPE MAY BE EITHER CONCRETE, CORRUGATED STEEL, CORRUGATED ALUMINUM ALLOY, OR CORRUGATED PLASTIC. PERFORATED PIPE WILL NOT BE ALLOWED.

BAGGED STONE SHALL REMAIN IN PLACE UNTIL THE ENGINEER DIRECTS THAT IT BE REMOVED. THE CONTRACTOR SHALL REMOVE AND DISPOSE OF SILT ACCUMULATIONS AT BAGGED STONE WHEN SO DIRECTED BY THE ENGINEER. BAGS SHALL BE REMOVED AND REPLACED WHENEVER THE ENGINEER DETERMINES THAT THEY HAVE DETERIORATED AND LOST THEIR EFFECTIVENESS.

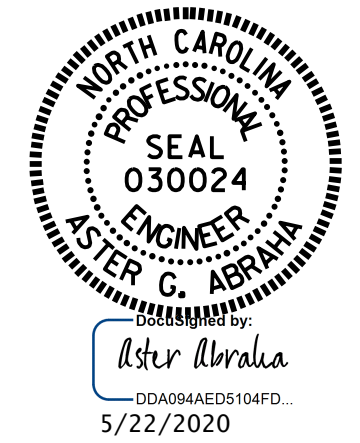
NO SEPARATE PAYMENT WILL BE MADE FOR THIS WORK AND THE ENTIRE COST OF THIS WORK SHALL BE INCLUDED IN THE UNIT CONTRACT PRICE BID FOR THE SEVERAL PAY ITEMS.

TEMPORARY DRAINAGE AT END BENT



PILE SPLICE DETAILS

PROJECT NO. B-5662
HALIFAX COUNTY
 STATION: 15+61.00 -L-
 SHEET 3 OF 3



STATE OF NORTH CAROLINA
 DEPARTMENT OF TRANSPORTATION
 RALEIGH

SUBSTRUCTURE
 INTEGRAL
 END BENT 2

DRAWN BY :	M.M. AHMED	DATE :	04/20
CHECKED BY :	S. WANCE	DATE :	04/20
DESIGN ENGINEER OF RECORD:	M.M. AHMED	DATE :	11/19

REVISIONS						SHEET NO.
NO.	BY:	DATE:	NO.	BY:	DATE:	S-27
1			3			TOTAL SHEETS
2			4			30

DOCUMENT NOT CONSIDERED FINAL UNLESS ALL SIGNATURES COMPLETED