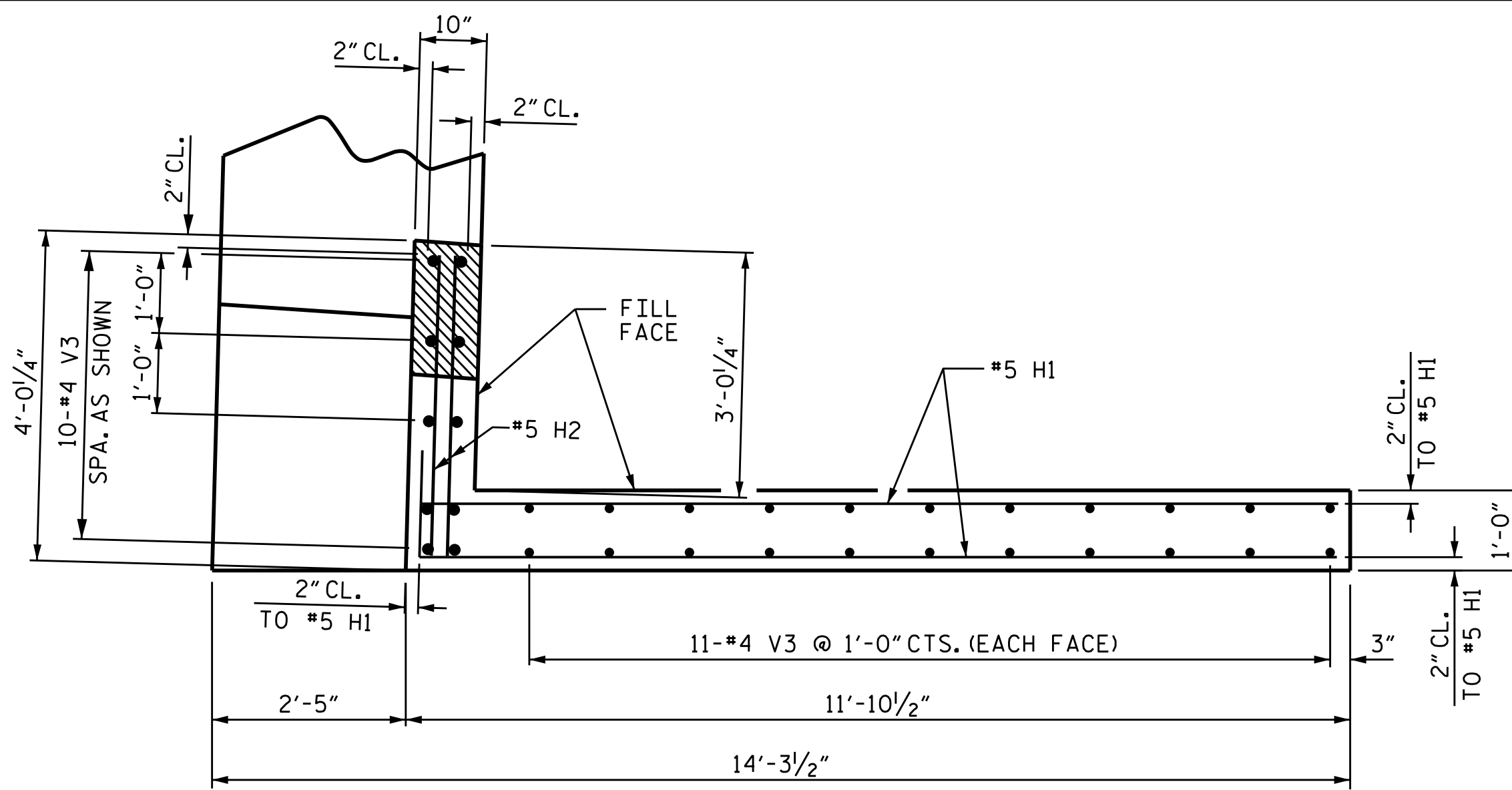
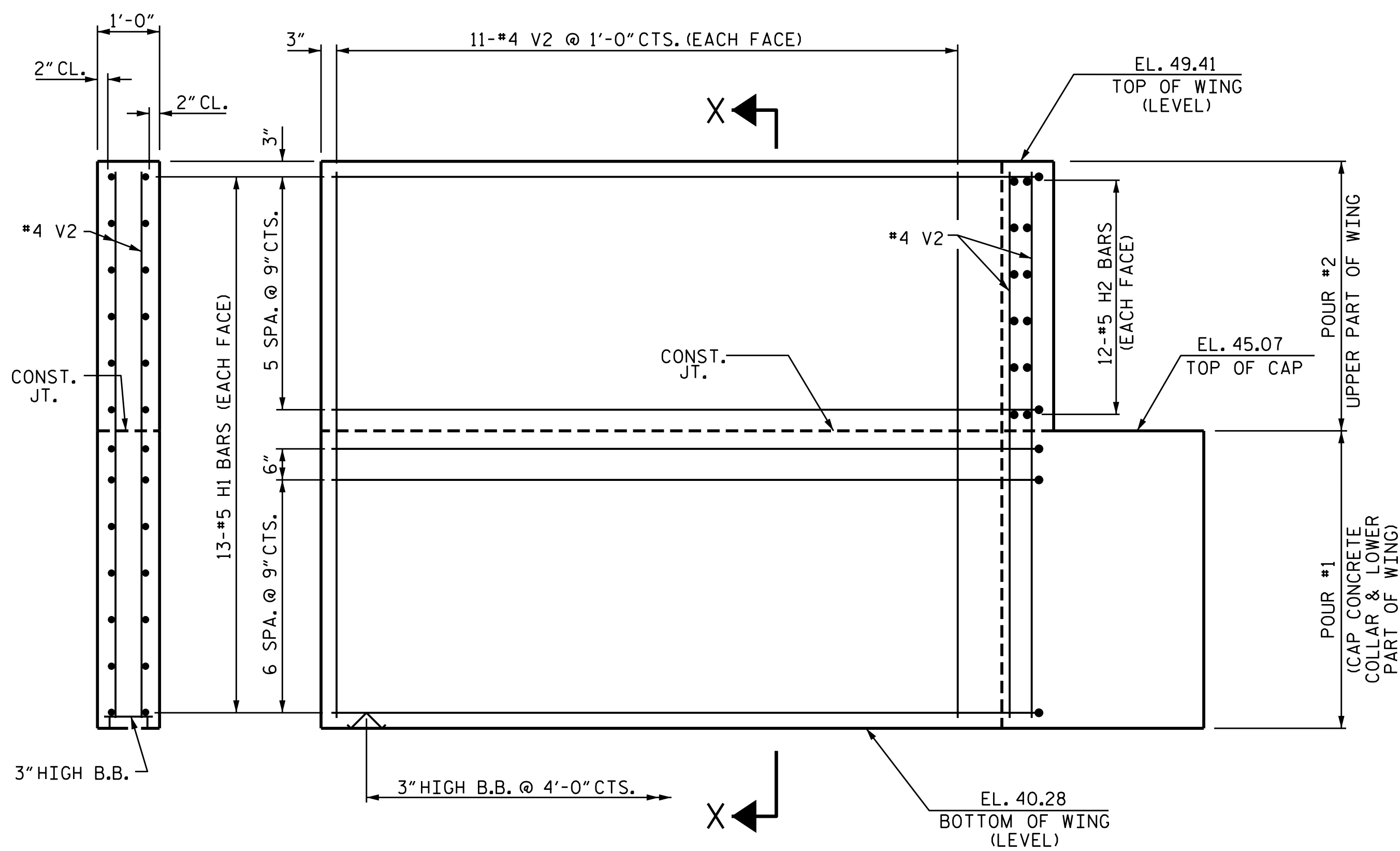


PLAN OF WING W1

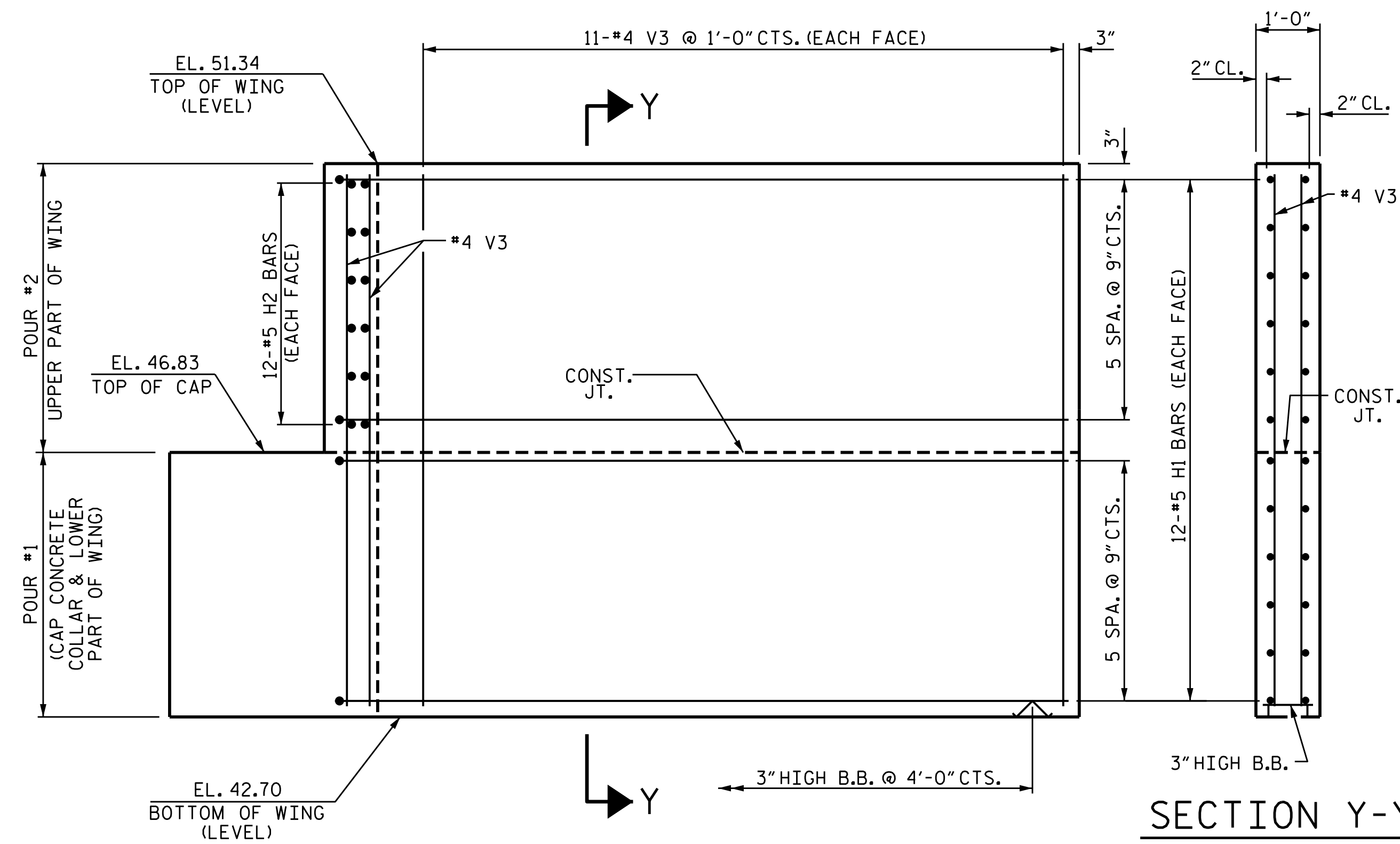


PLAN OF WING W2



SECTION X-X

ELEVATION OF WING W1



ELEVATION OF WING W2

SECTION Y-Y

PROJECT NO. B-5662  
HALIFAX COUNTY  
 STATION: 15+61.00 -L-

SHEET 2 OF 3



STATE OF NORTH CAROLINA  
 DEPARTMENT OF TRANSPORTATION  
 RALEIGH

SUBSTRUCTURE  
 INTEGRAL  
 END BENT 2

DRAWN BY: M.M. AHMED DATE: 04/20  
 CHECKED BY: S. WANCE DATE: 04/20  
 DESIGN ENGINEER OF RECORD: M.M. AHMED DATE: 11/19

22-MAY-2020 18:44  
 R:\Structures\Plans\B5662.SMU.Ebs\*.410093.dgn  
 qabr.ohd

DOCUMENT NOT CONSIDERED  
 FINAL UNLESS ALL  
 SIGNATURES COMPLETED

REVISIONS						SHEET NO.
NO.	BY:	DATE:	NO.	BY:	DATE:	S-26
1			3			TOTAL SHEETS
2			4			30