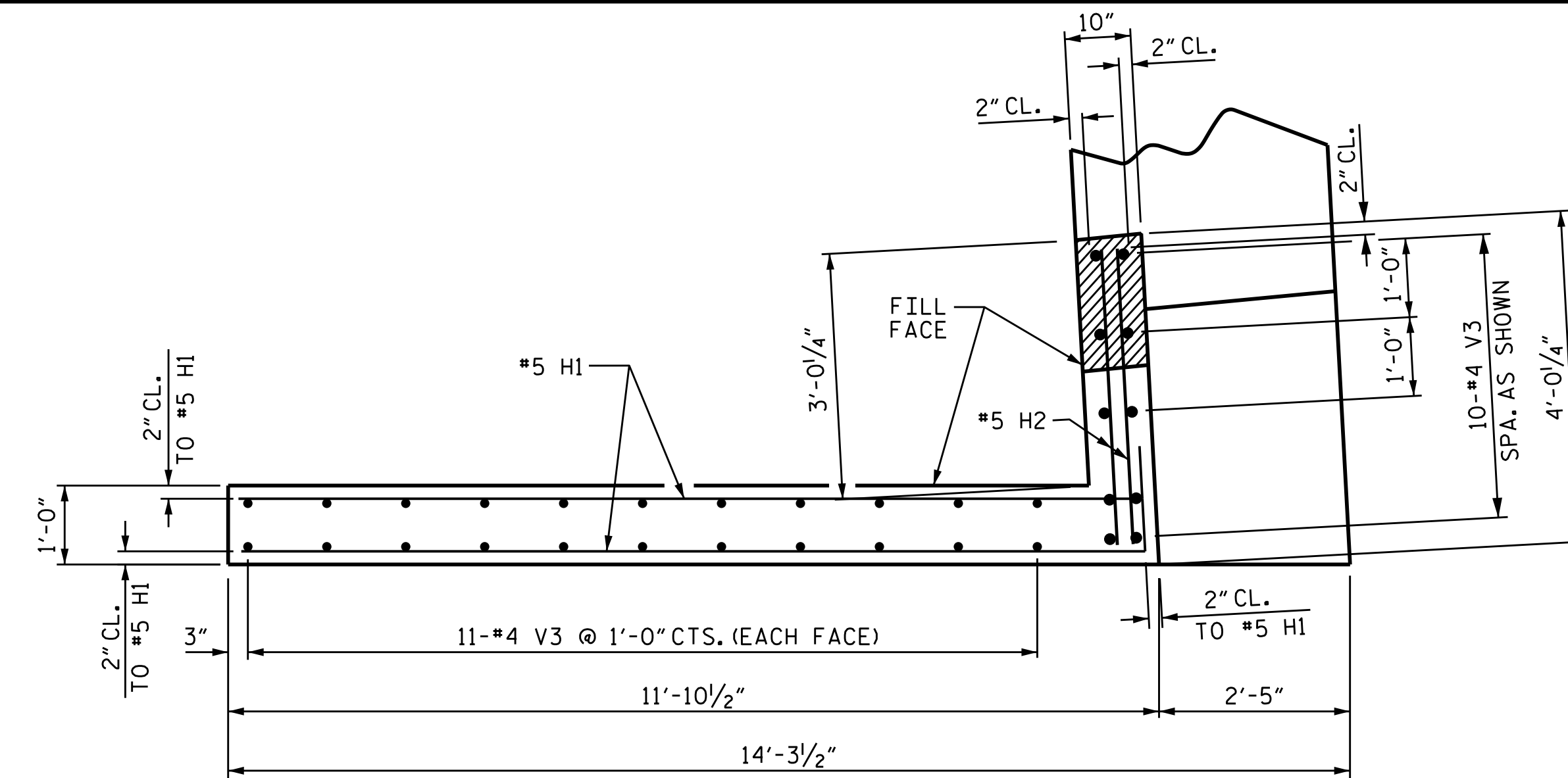
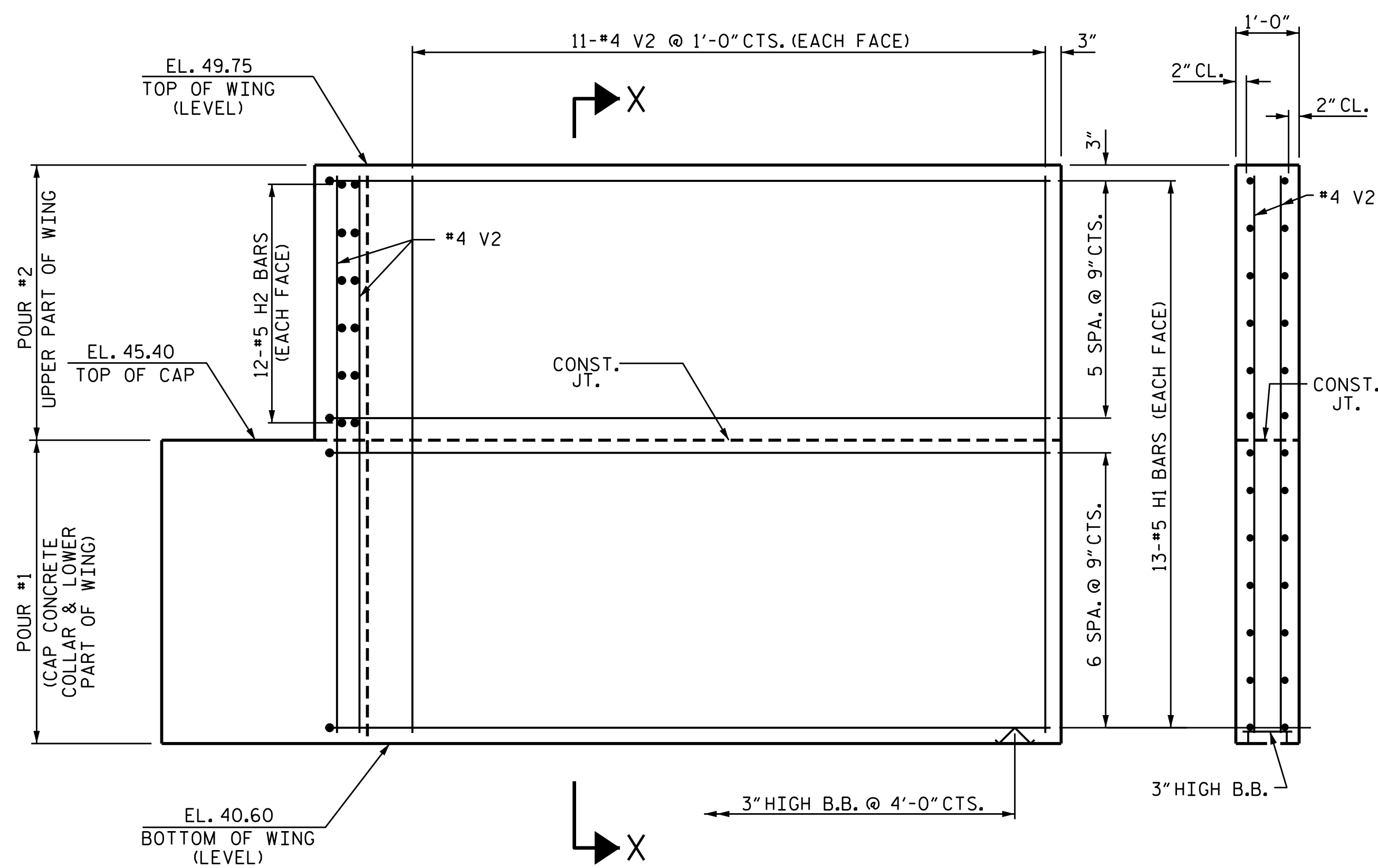


PLAN OF WING W1

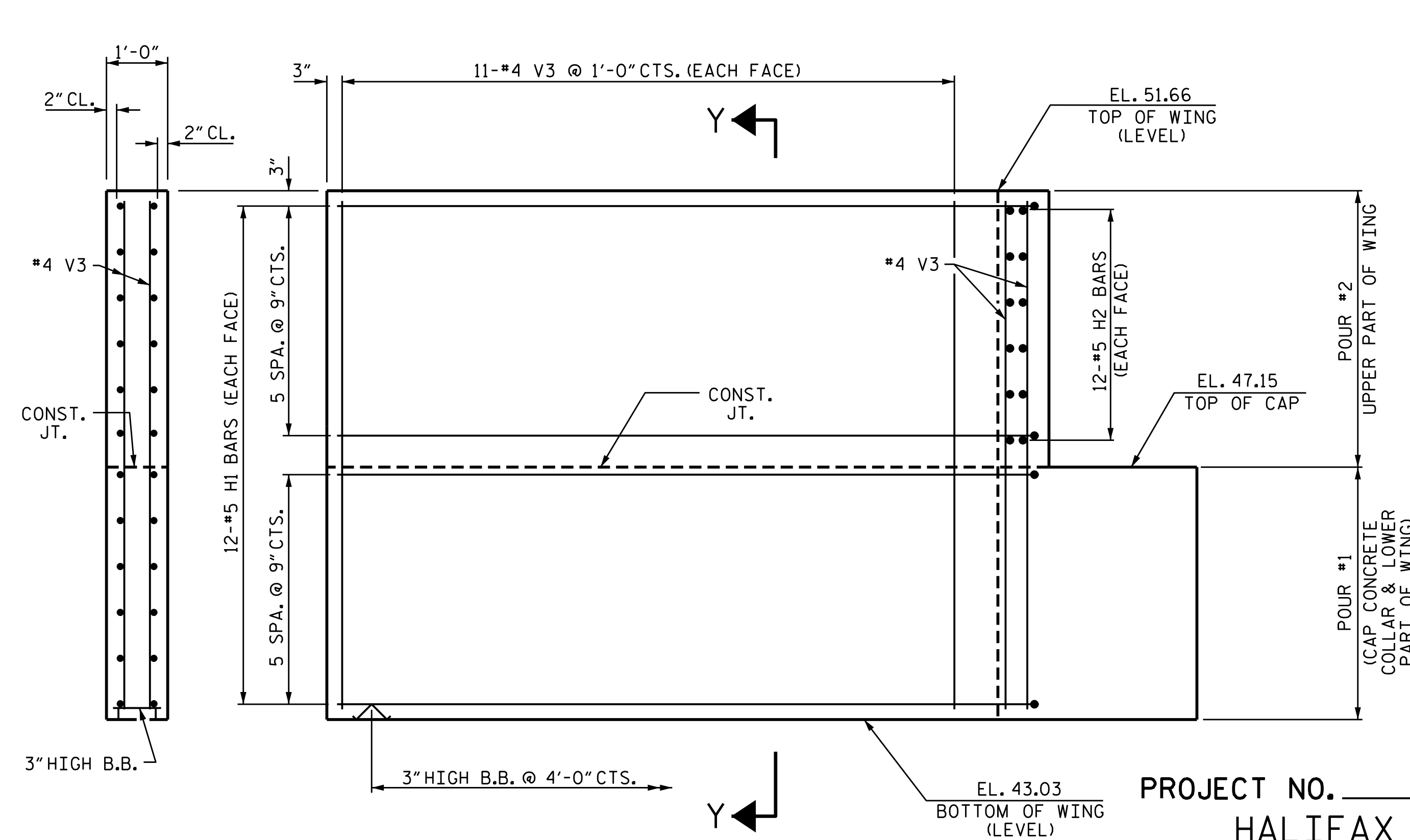


PLAN OF WING W2



ELEVATION OF WING W1

SECTION X-X



ELEVATION OF WING W2

SECTION Y-Y

PROJECT NO. B-5662
 HALIFAX COUNTY
 STATION: 15+61.00 -L-

SHEET 2 OF 3



STATE OF NORTH CAROLINA
 DEPARTMENT OF TRANSPORTATION
 RALEIGH
 SUBSTRUCTURE
 INTEGRAL
 END BENT 1

DRAWN BY: M.M. AHMED DATE: 04/20
 CHECKED BY: S. WANCE DATE: 04/20
 DESIGN ENGINEER OF RECORD: M.M. AHMED DATE: 11/19

DOCUMENT NOT CONSIDERED
 FINAL UNLESS ALL
 SIGNATURES COMPLETED

REVISIONS						SHEET NO.
NO.	BY:	DATE:	NO.	BY:	DATE:	S-20
1			3			TOTAL SHEETS
2			4			30