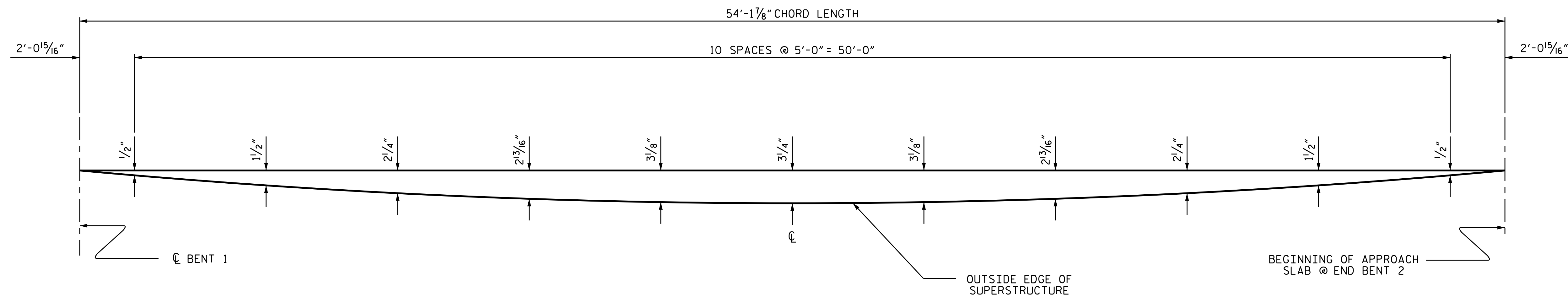


OUTSIDE LEFT OVERHANG
ARC OFFSETS SPANS A & B



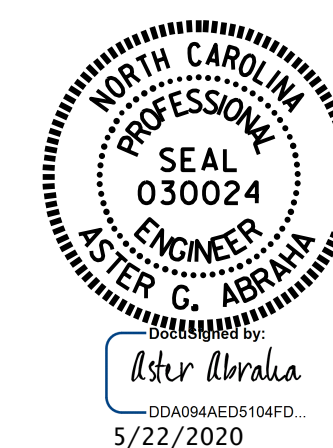
OUTSIDE RIGHT OVERHANG
ARC OFFSETS SPANS A & B

PROJECT NO. B-5662
HALIFAX COUNTY
 STATION: 15+61.00 -L-

SHEET 3 OF 3

STATE OF NORTH CAROLINA
 DEPARTMENT OF TRANSPORTATION
 RALEIGH

ARC OFFSETS



DRAWN BY : A. Y. GODFREY DATE : 03/2020
 CHECKED BY : S. WANCE DATE : 04/2020
 DESIGN ENGINEER OF RECORD: M. M. AHMED DATE : 12/2019

22-MAY-2020 18:43
 R:\Structures\Plans\B-5662.SMU. S*.410093.dgn
 oabr.ohd

DOCUMENT NOT CONSIDERED
 FINAL UNLESS ALL
 SIGNATURES COMPLETED

REVISIONS						SHEET NO.
NO.	BY:	DATE:	NO.	BY:	DATE:	S-10
1			3			TOTAL SHEETS
2			4			30